



# AirPrime EM7455

## Product Technical Specification



**SIERRA**  
WIRELESS®

4116236

Rev 13

Proprietary and Confidential  
Contents subject to change

## Important Notice

Due to the nature of wireless communications, transmission and reception of data can never be guaranteed. Data may be delayed, corrupted (i.e., have errors) or be totally lost. Although significant delays or losses of data are rare when wireless devices such as the Sierra Wireless modem are used in a normal manner with a well-constructed network, the Sierra Wireless modem should not be used in situations where failure to transmit or receive data could result in damage of any kind to the user or any other party, including but not limited to personal injury, death, or loss of property. Sierra Wireless accepts no responsibility for damages of any kind resulting from delays or errors in data transmitted or received using the Sierra Wireless modem, or for failure of the Sierra Wireless modem to transmit or receive such data.

## Safety and Hazards

Do not operate the Sierra Wireless modem in areas where blasting is in progress, where explosive atmospheres may be present, near medical equipment, near life support equipment, or any equipment which may be susceptible to any form of radio interference. In such areas, the Sierra Wireless modem **MUST BE POWERED OFF**. The Sierra Wireless modem can transmit signals that could interfere with this equipment.

Do not operate the Sierra Wireless modem in any aircraft, whether the aircraft is on the ground or in flight. In aircraft, the Sierra Wireless modem **MUST BE POWERED OFF**. When operating, the Sierra Wireless modem can transmit signals that could interfere with various onboard systems.

---

*Note: Some airlines may permit the use of cellular phones while the aircraft is on the ground and the door is open. Sierra Wireless modems may be used at this time.*

---

The driver or operator of any vehicle should not operate the Sierra Wireless modem while in control of a vehicle. Doing so will detract from the driver or operator's control and operation of that vehicle. In some states and provinces, operating such communications devices while in control of a vehicle is an offence.

## Limitation of Liability

The information in this manual is subject to change without notice and does not represent a commitment on the part of Sierra Wireless. SIERRA WIRELESS AND ITS AFFILIATES SPECIFICALLY DISCLAIM LIABILITY FOR ANY AND ALL DIRECT, INDIRECT, SPECIAL, GENERAL, INCIDENTAL, CONSEQUENTIAL, PUNITIVE OR EXEMPLARY DAMAGES INCLUDING, BUT NOT LIMITED TO, LOSS OF PROFITS OR REVENUE OR ANTICIPATED PROFITS OR REVENUE ARISING OUT OF THE USE OR INABILITY TO USE ANY SIERRA WIRELESS PRODUCT, EVEN IF SIERRA WIRELESS AND/OR ITS AFFILIATES HAS BEEN ADVISED OF THE POSSIBILITY OF SUCH DAMAGES OR THEY ARE FORESEEABLE OR FOR CLAIMS BY ANY THIRD PARTY.

Notwithstanding the foregoing, in no event shall Sierra Wireless and/or its affiliates aggregate liability arising under or in connection with the Sierra Wireless product, regardless of the number of events, occurrences, or claims giving rise to liability, be in excess of the price paid by the purchaser for the Sierra Wireless product.

## Patents

This product may contain technology developed by or for Sierra Wireless Inc. This product is manufactured or sold by Sierra Wireless Inc. or its affiliates under one or more patents licensed from MMP Portfolio Licensing.

## Copyright

©2018 Sierra Wireless. All rights reserved.

## Trademarks

Sierra Wireless<sup>®</sup>, AirPrime<sup>®</sup>, AirLink<sup>®</sup>, AirVantage<sup>®</sup> and the Sierra Wireless logo are registered trademarks of Sierra Wireless.

Windows<sup>®</sup> and Windows Vista<sup>®</sup> are registered trademarks of Microsoft Corporation.

Macintosh<sup>®</sup> and Mac OS X<sup>®</sup> are registered trademarks of Apple Inc., registered in the U.S. and other countries.

Other trademarks are the property of their respective owners.

## Contact Information

Sales information and technical support, including warranty and returns	Web: <a href="http://sierrawireless.com/company/contact-us/">sierrawireless.com/company/contact-us/</a> Global toll-free number: 1-877-687-7795 6:00 am to 5:00 pm PST
Corporate and product information	Web: <a href="http://sierrawireless.com">sierrawireless.com</a>

## Revision History

Revision number	Release date	Changes
1	September 2014	Initial release
2	October 2014	Updated data rates ( <a href="#">Table 1-1</a> ), <a href="#">LTE Features on page 15</a> , standards ( <a href="#">Table 2-1</a> ), system block ( <a href="#">Figure 3-1</a> ), Rx sensitivity ( <a href="#">Table 4-4</a> , <a href="#">Table 4-5</a> ), Tx power tolerance band listings ( <a href="#">Table 4-6</a> ), DC power consumption ( <a href="#">Table 5-3</a> )
3	February 2015	Updated <a href="#">Table 4-4 on page 43</a> (LTE sensitivity) Updated <a href="#">Table 4-5 on page 44</a> (UMTS sensitivity) Updated <a href="#">Table 4-6 on page 44</a> (Tx power) Corrected typo in <a href="#">Table 3-4 on page 28</a> (UIM_GND/UIM2_GND) Updated <a href="#">Table 4-7 on page 44</a> (# of satellites)

Revision number	Release date	Changes
4	June 2015	<p>Updated Carrier Aggregation combinations (<a href="#">Table 1-2 on page 13</a>)</p> <p>Added Windows 8.1 and Windows 10 references</p> <p>Updated RF block diagram (<a href="#">Figure 3-2 on page 21</a>)</p> <p>Updated Antenna control section</p> <p>Added Envelope correlation coefficient to <a href="#">Table B-1 on page 68</a></p> <p>Removed RFFE</p> <p>Updated Table 5-1, Averaged standby DC power consumption, on page 49</p> <p>Power consumption values measured at 25C (changed from 30)</p> <p>Removed LTE Band 17</p>
5	September 2015	<p>Added LTE B30</p> <p>Removed LTE CA B30+B29</p> <p>Updated <a href="#">Table 4-4 on page 43</a> (LTE sensitivity)</p> <p>Updated <a href="#">Table 4-5 on page 44</a> (UMTS sensitivity)</p> <p>Updated <a href="#">Table 4-6 on page 44</a> (Tx power)</p> <p>Updated <a href="#">Thermal Considerations on page 58</a> (heatsink recommendation)</p>
6	September 2015	<p>Updated <a href="#">Table 5-1, Averaged Standby DC Power Consumption</a>, on page 46</p> <p>Updated <a href="#">Table 5-2, Averaged Call Mode DC Power Consumption</a>, on page 47</p> <p>Updated <a href="#">Table 5-7, USB 2.0 Power-On/Off Timing Parameters (Single Enumeration)</a>, on page 51</p>
7	April 2016	<p>Updated module weight (<a href="#">Table 7-1 on page 55</a>)</p> <p>Added notes indicating signals should not be driven until device is powered on, in <a href="#">Host Interface Pin Assignments on page 21</a> and <a href="#">Power On/Off Timing on page 50</a>.</p> <p>Added <a href="#">Packaging on page 90</a></p> <p>Added signal strength for acquisition time values (<a href="#">Table 4-7 on page 44</a>)</p> <p>Relabeled 'Max' column to 'Typ', specified voltage (<a href="#">Table 5-2 on page 47</a>)</p> <p>Added max current value (<a href="#">Table 5-3 on page 47</a>)</p> <p>Updated power-on/off timing values</p> <p>Updated temperature description/details to reflect device performance, including:</p> <ul style="list-style-type: none"> <li>• <a href="#">Physical Features on page 14</a>—Clarified temperature range as 'ambient'.</li> <li>• <a href="#">Physical Features on page 14</a>—Added AT!PCTEMP to note and adjusted suggested 'best performance' max temperature.</li> <li>• <a href="#">Table 5-5 on page 49</a>—Added explanatory note for TEMP_HI_WARN state.</li> <li>• <a href="#">Table 7-1 on page 55</a>—Clarified temperature range as 'ambient'</li> </ul> <p>Adjusted GNSS tracking sensitivity specification to -160 dBm from -161 dBm to reflect tolerance range of measurement (<a href="#">Table 4-7 on page 44</a>).</p> <p>Added <a href="#">Figure 7-5, Copper Pad Location on Bottom Side of Module</a>, on page 59.</p> <p>Updated USIM and USIM2 voltages in <a href="#">Table 3-1 on page 22</a>.</p> <p>Added GPIO numbers to ANT_CTRL signal names in <a href="#">Table 3-1 on page 22</a>.</p> <p>Modified note indicating USB2.0 and 3.0 support in <a href="#">USB Interface on page 27</a>.</p> <p>Added LTE bandwidth support (<a href="#">Table 4-2 on page 41</a>) and <a href="#">LTE CA Bandwidth Support on page 93</a></p> <p>Added minimum pulse width to RESET# description in <a href="#">Table 3-7 on page 33</a>.</p>
8	April 2016	<p>Corrected indication of areas needing heat dissipation (bottom instead of top) in <a href="#">Thermal Considerations on page 58</a>, and updated recommendation wording in general.</p> <p>Removed 'future' from Galileo support in <a href="#">Position Location (GNSS) on page 16</a></p>

Revision number	Release date	Changes
9	May 2016	<p>Corrected ripple voltage value in <a href="#">Power Supply Noise on page 52</a></p> <p>Updated maximum current in <a href="#">Miscellaneous DC Power Consumption on page 47</a></p> <p>Added 'Important' notes regarding Band 30 Tx output power, and Band 30 restriction for external vehicle antennas, in <a href="#">Important Compliance Information for North American Users on page 61</a></p>
10	August 2016	<p>Removed gpsOneXTRA.</p> <p>Noted Sprint ISIM card requirement (<a href="#">SIM Interface on page 28</a>).</p> <p>Removed wireless coexistence topic; marked pins 60/62/64 as 'Reserved' (<a href="#">Table 3-1</a>), updated system block (removed COEX signals) (<a href="#">Figure 3-1 on page 20</a>).</p> <p>Added USB3.0 signal to Signal Timing figure (<a href="#">Figure 5-2 on page 51</a>); added USB3.0 timing table (<a href="#">Table 5-8 on page 51</a>).</p> <p>Updated USB2.0 timing (<a href="#">Table 5-6 on page 51</a>, <a href="#">Table 5-7 on page 51</a>).</p> <p>Updated PCB thickness (<a href="#">Table 7-1 on page 55</a>, <a href="#">Figure 7-2 on page 56</a>).</p> <p>Updated Band 30 regulatory note (<a href="#">page 62</a>).</p>
11	March 2018	<p>Replaced 'R&amp;TTE' reference with 'RED'</p> <p>Added 'high' state values for W_DISABLE1#/W_DISABLE2# in <a href="#">Table 3-1</a></p> <p>Updated Miscellaneous DC Power Consumption table, min value Active bias on GNSS port</p> <p>Added <a href="#">Required Shutdown Sequence on page 52</a></p> <p>Updated Electrical Specifications WAN_LED_N description to not include GNSS</p> <p>Added W_DISABLE1#/W_DISABLE2# Input high voltage details</p> <p>Added LTE Transmit test</p> <p>Updated WCDMA Transmit test</p> <p>Updated WCDMA Rx Sensitivity note</p> <p>Removed Peak Current row from Averaged Call Mode DC Power Consumption table</p>
12	March 2018	Removed obsolete comment (no content change)
13	April 2018	<p>Updated RESET# usage in <a href="#">Table 3-7</a>, <a href="#">Full_Card_Power_Off#</a> and <a href="#">RESET# Usage</a>, on page 33</p> <p>Added ANATEL to <a href="#">Regulatory Compliance and Industry Certifications</a></p>

# >> Contents

<b>Introduction</b> .....	<b>13</b>
Supported RF bands .....	13
Physical Features .....	14
Application Interface Features .....	14
Modem Features .....	15
LTE Features .....	15
Short Message Service (SMS) Features .....	16
Position Location (GNSS) .....	16
Supporting Documents .....	16
Accessories .....	16
Required Connectors .....	17
Ordering Information .....	17
Integration Requirements .....	17
<b>Standards Compliance</b> .....	<b>18</b>
<b>Electrical Specifications</b> .....	<b>19</b>
Host Interface Pin Assignments .....	21
Power Supply .....	27
USB Interface .....	27
USB Throughput Performance .....	28
User-developed Drivers .....	28
SIM Interface .....	28
SIM Implementation .....	30
Control Interface (Signals) .....	31
WAKE_ON_WAN# — Wake Host .....	31
W_DISABLE1# (Wireless Disable) and W_DISABLE2# (GNSS Disable) .....	32
Full_Card_Power_Off# and RESET# .....	33
WWAN_LED#—LED Output .....	34
Antenna Control .....	35

---

<b>RF Specifications</b> .....	<b>36</b>
RF Connections .....	36
Shielding .....	36
Antenna and Cabling .....	37
Ground Connection .....	38
Interference and Sensitivity .....	38
Interference from Other Wireless Devices .....	38
Host-generated RF Interference .....	39
Device-generated RF Interference .....	39
Methods to Mitigate Decreased Rx Performance .....	39
Radiated Spurious Emissions (RSE) .....	39
Radiated Sensitivity Measurement .....	40
Sierra Wireless' Sensitivity Testing and Desensitization Investigation .....	40
Sensitivity vs. Frequency .....	40
Supported Frequencies .....	40
Conducted Rx Sensitivity / Tx Power .....	43
GNSS Specifications .....	44
 <b>Power</b> .....	 <b>46</b>
Power Consumption .....	46
Module Power States .....	47
Power State Transitions .....	49
Power Interface .....	50
Power Ramp-up .....	50
Timing .....	50
Power Supply Noise .....	52
SED (Smart Error Detection) .....	52
Tx Power Control .....	53
 <b>Software Interface</b> .....	 <b>54</b>
Support Tools .....	54
USB Interface .....	54

- Mechanical and Environmental Specifications . . . . . 55**
  - Device Views . . . . . 56
  - Labeling . . . . . 57
  - Electrostatic Discharge (ESD) . . . . . 57
  - Thermal Considerations. . . . . 58
  - Module Integration Testing . . . . . 59
  
- Regulatory Compliance and Industry Certifications . . . . . 60**
  - Important Notice. . . . . 60
  - Safety and Hazards . . . . . 60
  - Important Compliance Information for North American Users . . . . . 61
  - ANATEL (Brazil). . . . . 63
  
- Audio Support . . . . . 64**
  - PCM/I2S Audio Interface . . . . . 65
  
- Antenna Specification . . . . . 68**
  - Recommended Main/Diversity Antenna Specifications. . . . . 68
  - Recommended GNSS Antenna Specifications . . . . . 70
  - Antenna Tests . . . . . 71
  
- Design Checklist . . . . . 72**
  
- Testing . . . . . 74**
  - AT Command Entry Timing Requirement . . . . . 74
  - Acceptance Testing . . . . . 74
    - Acceptance Test Requirements . . . . . 74
    - Acceptance Test Procedure . . . . . 75
  - Certification Testing . . . . . 75
  - Production Testing . . . . . 76



---

Functional Production Test . . . . .	76
Production Test Procedure . . . . .	77
UMTS (WCDMA) RF Transmission Path Test . . . . .	79
LTE RF Transmission Path Test . . . . .	81
UMTS (WCDMA) RF Receive Path Test . . . . .	83
LTE RF Receive Path Test . . . . .	85
GNSS RF Receive Path Test . . . . .	87
Quality Assurance Testing . . . . .	87
Suggested Testing Equipment . . . . .	88
Testing Assistance Provided by Sierra Wireless . . . . .	88
IOT/Operator Testing . . . . .	88
Extended AT Commands for Testing . . . . .	88
<b>Packaging . . . . .</b>	<b>90</b>
<b>References . . . . .</b>	<b>92</b>
Sierra Wireless Documents . . . . .	92
Command Documents . . . . .	92
Other Sierra Documents . . . . .	92
Industry/Other Documents . . . . .	92
<b>LTE CA Bandwidth Support . . . . .</b>	<b>93</b>
<b>Acronyms . . . . .</b>	<b>97</b>
<b>Index . . . . .</b>	<b>103</b>

## >> | List of Tables

Table 1-1: Supported RF Bands . . . . .	13
Table 1-2: Carrier Aggregation Combinations . . . . .	13
Table 1-3: Required Host-Module Connectors . . . . .	17
Table 2-1: Standards Compliance . . . . .	18
Table 3-1: Host Interface (67-pin) Connections—Module View . . . . .	22
Table 3-2: Power and Ground Specifications . . . . .	27
Table 3-3: USB Interfaces . . . . .	27
Table 3-4: SIM Interface Signals . . . . .	28
Table 3-5: Module Control Signals. . . . .	31
Table 3-6: W_DISABLE_N Usage . . . . .	32
Table 3-7: Full_Card_Power_Off# and RESET# Usage . . . . .	33
Table 3-8: Antenna Control Signals. . . . .	35
Table 4-1: LTE Frequency Bands . . . . .	41
Table 4-2: LTE Bandwidth Support . . . . .	41
Table 4-3: WCDMA Frequency Bands Support. . . . .	42
Table 4-4: Conducted Rx (Receive) Sensitivity—LTE Bands . . . . .	43
Table 4-5: Conducted Rx (Receive) Sensitivity—UMTS Bands . . . . .	44
Table 4-6: Conducted Tx (Transmit) Power Tolerances . . . . .	44
Table 4-7: GNSS Specifications . . . . .	44
Table 5-1: Averaged Standby DC Power Consumption. . . . .	46
Table 5-2: Averaged Call Mode DC Power Consumption . . . . .	47
Table 5-3: Miscellaneous DC Power Consumption . . . . .	47
Table 5-4: Module Power States . . . . .	48
Table 5-5: Power State Transition Trigger Levels . . . . .	49
Table 5-6: USB 2.0 Power-On/Off Timing Parameters (Double Enumeration). . . . .	51
Table 5-7: USB 2.0 Power-On/Off Timing Parameters (Single Enumeration). . . . .	51
Table 5-8: USB 3.0 Power-On/Off Timing Parameters (Single Enumeration). . . . .	51
Table 5-9: Dynamic Power Control of SAR Backoff State . . . . .	53
Table 7-1: Mechanical and Environmental Specifications . . . . .	55
Table 8-1: Antenna Gain Specifications. . . . .	61

---

Table 8-2: Collocated Radio Transmitter Specifications . . . . .	62
Table A-1: Host interface (67-pin) Connections—Module View . . . . .	64
Table A-2: PCM/I2S Interface Signals . . . . .	65
Table A-3: PCM Timing. . . . .	66
Table A-4: Master Transmitter with Data Rate = 3.072 MHz ( $\pm 10\%$ ) . . . . .	67
Table B-1: Antenna Requirements . . . . .	68
Table B-2: GNSS Antenna Requirements. . . . .	70
Table C-1: Hardware Integration Design Considerations . . . . .	72
Table D-1: Test Settings—UMTS Transmission Path . . . . .	79
Table D-2: Test Settings—LTE Transmission Path . . . . .	81
Table D-3: Test Settings—UMTS Receive Path. . . . .	83
Table D-4: Test Settings—LTE Receive Path . . . . .	85
Table D-5: Extended AT Commands . . . . .	88
Table G-1: LTE CA Inter-band Bandwidth Support. . . . .	93
Table G-2: LTE CA Intra-band (Contiguous) Bandwidth Support . . . . .	95
Table G-3: LTE CA Intra-band (Non-contiguous) Bandwidth Support . . . . .	96
Table H-1: Acronyms and Definitions . . . . .	97

## >> | List of Figures

Figure 3-1: System Block Diagram . . . . .	20
Figure 3-2: Expanded RF Block Diagram . . . . .	21
Figure 3-3: SIM Application Interface (applies to both SIM interfaces) . . . . .	29
Figure 3-4: SIM Card Contacts (Contact View) . . . . .	30
Figure 3-5: Recommended WAKE_ON_WAN# Connection . . . . .	32
Figure 3-6: Recommended Wireless Disable Connection . . . . .	33
Figure 3-7: Example LED. . . . .	34
Figure 4-1: Module Connectors . . . . .	36
Figure 5-1: Voltage/Temperature Monitoring State Machines. . . . .	50
Figure 5-2: Signal Timing (Full_Card_Power_Off#, and USB Enumeration). . . . .	51
Figure 7-1: Top View . . . . .	56
Figure 7-2: Dimensioned View. . . . .	56
Figure 7-3: Unit Label . . . . .	57
Figure 7-4: Shield Locations (Top View) . . . . .	58
Figure 7-5: Copper Pad Location on Bottom Side of Module . . . . .	59
Figure A-1: PCM_SYNC Timing . . . . .	65
Figure A-2: PCM Codec to Module Timing . . . . .	65
Figure A-3: Module to PCM Codec Timing . . . . .	66
Figure A-4: I2S Transmitter Timing Diagram. . . . .	67
Figure E-1: Device Placement in Module Tray . . . . .	90
Figure E-2: Shipping Package . . . . .	91

# >> 1: Introduction

The Sierra Wireless EM7455 Embedded Module is an M.2 module that provides LTE, UMTS, and GNSS connectivity for notebook, ultrabook, tablet computers, and M2M applications over several radio frequency bands.

## Supported RF bands

The modem, based on Qualcomm's MDM9230 baseband processor, supports data operation on LTE and UMTS networks over the bands described in Table 1-1, with LTE carrier aggregation (CA) as described in Table 1-2.

**Table 1-1: Supported RF Bands**

Technology	Bands														Data Rates / Notes	
	1	2	3	4	5	7	8	12	13	20	25	26	29	30		41
<b>LTE</b>	F	F	F	F	F	F	F	F	F	F	F	F	F	F	T	Data rates: <ul style="list-style-type: none"> <li>Downlink (Cat 6): FDD: 300 Mbps TDD: 222 Mbps</li> <li>Uplink (Cat 6): FDD: 50 Mbps TDD: 26 Mbps</li> </ul> Notes: <ul style="list-style-type: none"> <li>Downlink MIMO support (2x2; 4x2)</li> <li>F=FDD; T= TDD</li> </ul>
<b>DC-HSPA+ HSPA+ HSPA UMTS</b>	Y	Y	Y	Y	Y		Y								N/A	Data rates: <ul style="list-style-type: none"> <li>Downlink (Cat 24): Up to 42 Mbps</li> <li>Uplink (Cat 6): Up to 5.76 Mbps</li> </ul> Notes: <ul style="list-style-type: none"> <li>Diversity support</li> </ul>
<b>GNSS</b>	<ul style="list-style-type: none"> <li>GPS: 1575.42 MHz</li> <li>GLONASS: 1602 MHz</li> <li>BeiDou: 1561.098 MHz</li> <li>Galileo<sup>a</sup>: 1575.42 MHz</li> </ul>															

a. Future firmware upgrade

**Table 1-2: Carrier Aggregation Combinations**

1 + 8
2 + 2/5/12/13/29
3 + 7/20
4 + 4/5/12/13/29

**Table 1-2: Carrier Aggregation Combinations (Continued)**

5 + 2/4/30
7 + 3/7/20
8 + 1
12 + 2/4/30
13 + 2/4
20 + 3/7
30 + 5/12
41 + 41

## Physical Features

- M.2 form factor—WWAN Type 3042-S3-B (in WWAN—USB 3.0 Port Configuration 2), as specified in [8] *PCI Express NGFF (M.2) Electromechanical Specification Revision 1.0*. (Note: Any variations from the specification are detailed in this document.)
- Ambient operating temperature range:
  - Class A (3GPP compliant): -30°C to +70°C
  - Class B (operational, non-3GPP compliant): -40°C to +85°C (reduced operating parameters required)

---

**Important:** *The internal module temperature (reported by AT!PCTEMP) must be kept below 90°C. For best performance, the internal module temperature should be kept below 80°C. Proper mounting, heat sinks, and active cooling may be required, depending on the integrated application.*

---

## Application Interface Features

- USB interface (QMI) for Windows 7, Linux, and Android
- MBIM for Windows 8.1 and Windows 10
- AT command interface ([1] *AT Command Set for User Equipment (UE) (Release 6) (Doc# 3GPP TS 27.007)*, plus proprietary extended AT commands) in [2] *AirPrime EM74xx/MC74xx AT Command Reference (Doc# 4117727)*
- Software Development Kits (SDK), including API (Application Program Interface) functions:
  - Windows 7, Windows 8.1, Windows 10
  - Linux
- Support for active antenna control via dedicated antenna control signals (ANTCTL0:3)
- Dynamic power reduction support via software and dedicated GPIO (DPR)

---

*Note: OMA DM and FOTA support is operator-dependent.*

---

- OMA DM (Open Mobile Alliance Device Management)
- FOTA (Firmware Over The Air)

## Modem Features

- LTE / DC-HSPA+ / HSPA+ / HSPA / UMTS (WCDMA) operation
- Multiple (up to 16) cellular packet data profiles
- Traditional modem COM port support for AT commands
- USB suspend / resume
- Sleep mode for minimum idle power draw
- SIM application tool kit with proactive SIM commands
- Enhanced Operator Name String (EONS)
- Mobile-originated PDP context activation / deactivation
- Support QoS profile
  - Release 99 QoS negotiation—Background, Interactive, and Streaming
  - Release 97—Precedence Class, Reliability Class, Delay Class, Peak Throughput, Mean Throughput
- Static and Dynamic IP address. The network may assign a fixed IP address or dynamically assign one using DHCP (Dynamic Host Configuration Protocol).
- PAP and CHAP support
- PDP context type (IPv4, IPv6, or IPv4v6). IP Packet Data Protocol context supports dual IPv4v6.
- RFC1144 TCP/IP header compression

## LTE Features

- Carrier aggregation:
  - DL LTE-FDD
    - 20 MHz intraband non-contiguous
    - 40 MHz interband
  - DL LTE-TDD
    - 40 MHz intraband contiguous and non-contiguous
    - 40 MHz interband
- CSG support (LTE Femto)
- LTE Advanced receivers (NLIC, eICIC, feICIC)
- Basic cell selection and system acquisition
  - PSS/SSS/MIB decode
  - SIB1–SIB16 decoding
- NAS/AS security procedures
  - Snow 3G/AES/ZUC security
- CQI/RI/PMI reporting
- Paging procedures
  - Paging in Idle and Connected mode
- Dedicated bearer
  - Network-initiated dedicated bearer
  - UE-initiated dedicated bearer

- Multiple PDN connections (IPv4 and IPv6 combinations), subject to operating system support.
- Connected mode intra-LTE mobility
- Idle mode intra-LTE mobility
- iRAT between LTE/3G for idle and connection release with redirection
- Detach procedure
  - Network-initiated detach with reattach required
  - Network-initiated detach followed by connection release

## Short Message Service (SMS) Features

- Mobile-originated and mobile-terminated SMS over [IMS](#) for LTE
- Mobile-originated and mobile-terminated SMS over SGs for LTE

## Position Location (GNSS)

- Customizable tracking session
- Automatic tracking session on startup
- Concurrent standalone GPS, GLONASS, Galileo, and BeiDou
- Assisted GPS ([A-GPS](#)) SUPL1.0
- Assisted GPS/GLONASS SUPL2.0
- GPS/GLONASS on dedicated connector or diversity connector
- BeiDou on dedicated connector, or on diversity connector with reduced performance
- Galileo on dedicated connector or diversity connector (future firmware upgrade)

## Supporting Documents

Several additional documents describe module design, usage, integration, and other features. See [References on page 92](#).

## Accessories

A hardware development kit is available for AirPrime M.2 modules. The kit contains hardware components for evaluating and developing with the module, including:

- Development board
- Cables
- Antennas
- Other accessories

For over-the-air LTE testing, ensure that suitable antennas are used.



## Required Connectors

[Table 1-3](#) describes the connectors used to integrate the EM7455 Embedded Module into your host device.

**Table 1-3: Required Host-Module Connectors<sup>a</sup>**

Connector type	Description
RF cables	<ul style="list-style-type: none"> <li>Mate with M.2-spec connectors</li> <li>Three connector jacks (I-PEX 20448-001R-081 or equivalent)</li> </ul>
EDGE (67 pin)	<ul style="list-style-type: none"> <li>Slot B compatible—Per the M.2 standard (<i>[8] PCI Express NGFF (M.2) Electromechanical Specification Revision 1.0</i>), a generic 75 pin position EDGE connector on the motherboard uses a mechanical key to mate with the 67 pin notched module connector.</li> <li>Manufacturers include LOTES (part #APCI0018-P001A01), Kyocera, JAE, Tyco, and Longwell.</li> </ul>
SIM	<ul style="list-style-type: none"> <li>Industry-standard connector. See <a href="#">SIM Interface on page 28</a> for details.</li> </ul>

a. Manufacturers/part numbers are for reference only and are subject to change. Choose connectors that are appropriate for your own design.

## Ordering Information

To order, contact the Sierra Wireless Sales Desk at +1 (604) 232-1488 between 8 AM and 5 PM Pacific Time.

## Integration Requirements

Sierra Wireless provides, in the documentation suite, guidelines for successful module integration and offers integration support services as necessary.

When integrating the EM7455 Embedded Module, the following items must be addressed:

- Mounting**—Effect on temperature, shock, and vibration performance
- Power supply**—Impact on battery drain and possible [RF](#) interference
- Antenna location and type**—Impact on RF performance
- Regulatory approvals**—As discussed in [Regulatory Compliance and Industry Certifications on page 60](#).
- Service provisioning**—Manufacturing process
- Software**—As discussed in [Software Interface on page 54](#).
- Host interface**—Compliance with interface voltage levels

## >> 2: Standards Compliance

The EM7455 Embedded Module complies with the mandatory requirements described in the following standards. The exact set of requirements supported is network operator-dependent.

**Table 2-1: Standards Compliance**

Technology	Standards
LTE	<ul style="list-style-type: none"><li>• 3GPP Release 11</li></ul>
UMTS	<ul style="list-style-type: none"><li>• 3GPP Release 9</li></ul>

## >> 3: Electrical Specifications

The system block diagram in [Figure 3-1](#) represents the EM7455 module integrated into a host system. The module includes the following interfaces to the host:

- **Full\_Card\_Power\_Off#**—Input supplied to the module by the host—active-low to turn the unit off, or active-high to turn the unit on.
- **W\_DISABLE1#**—Active low input from the host to the EM7455 disables the main RF radio.
- **W\_DISABLE2#**—Active low input from the host to the EM7455 disables the GNSS radio receiver.
- **WAKE\_ON\_WAN#**—Active low output used to wake the host when specific events occur.
- **WWAN\_LED#**—Active-low **LED** drive signal provides an indication of WAN radio ON state.
- **RESET#**—Active low input from the host used to reset the module.
- **Antenna**—Three **RF** connectors (main (Rx/Tx), GNSS, and auxiliary (diversity/MIMO/GNSS)). For details, see [RF Specifications on page 36](#).
- **Antenna control**—Four signals that can be used to control external antenna switches—two for high band, and two for low band.
- **Dynamic power control**—Signal used to adjust Tx power to meet FCC SAR requirements. For details, see [Tx Power Control on page 53](#).)
- **Dual SIM**—Supported through the interface connector. The **SIM** cavities / connectors must be placed on the host device for this feature.
- **SIM detect**—Internal pullup on the module detects whether a SIM is present or not:
  - If a SIM is not inserted, the pin must be shorted to ground.
  - If a SIM is present, the pin will be an open circuit.
- **USB**—USB 2.0 and USB 3.0 interfaces to the host for data, control, and status information.

The EM7455 has two main interface areas—the host I/O connector and the **RF** ports. Details of these interfaces are described in the sections that follow.

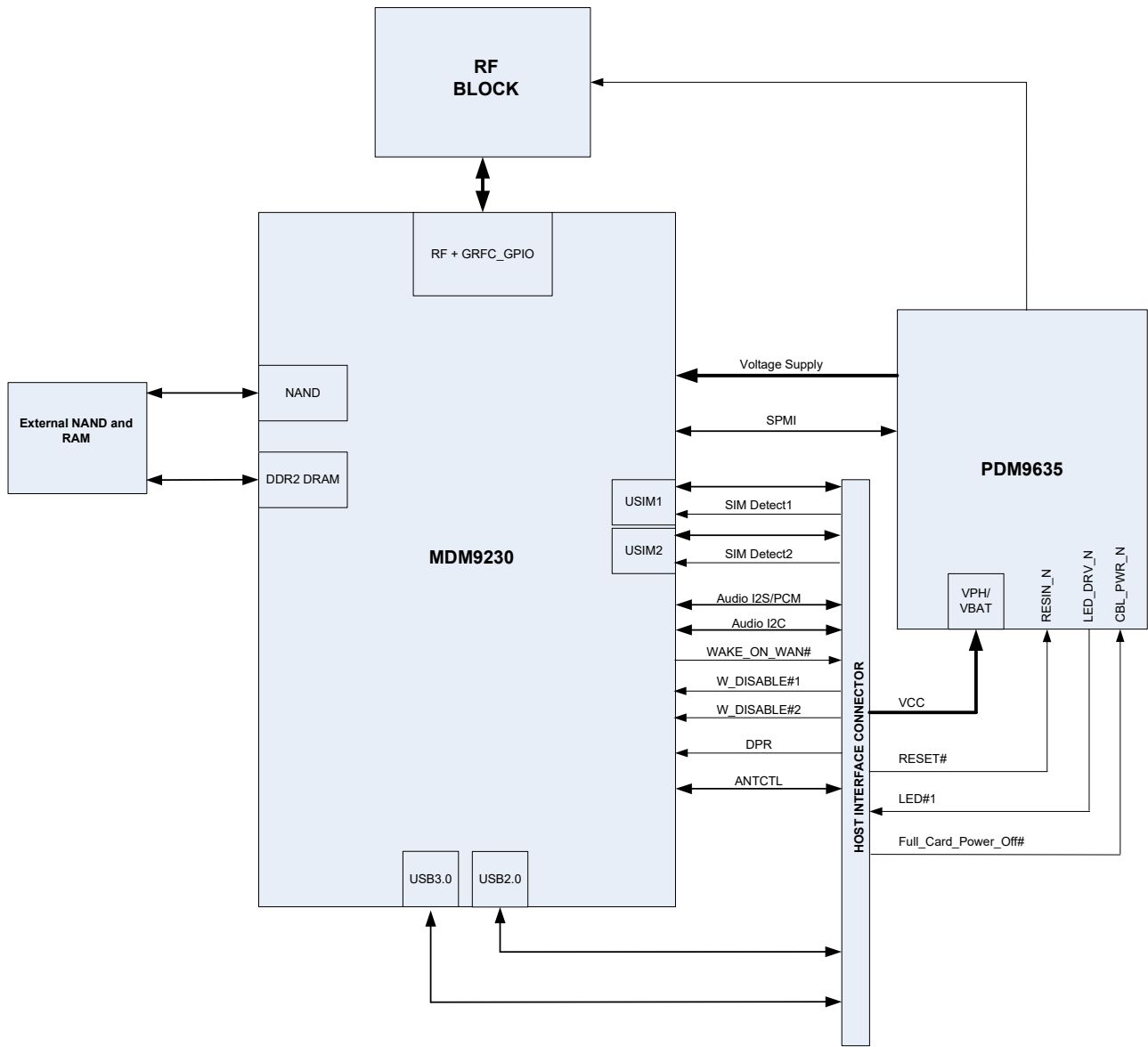


Figure 3-1: System Block Diagram

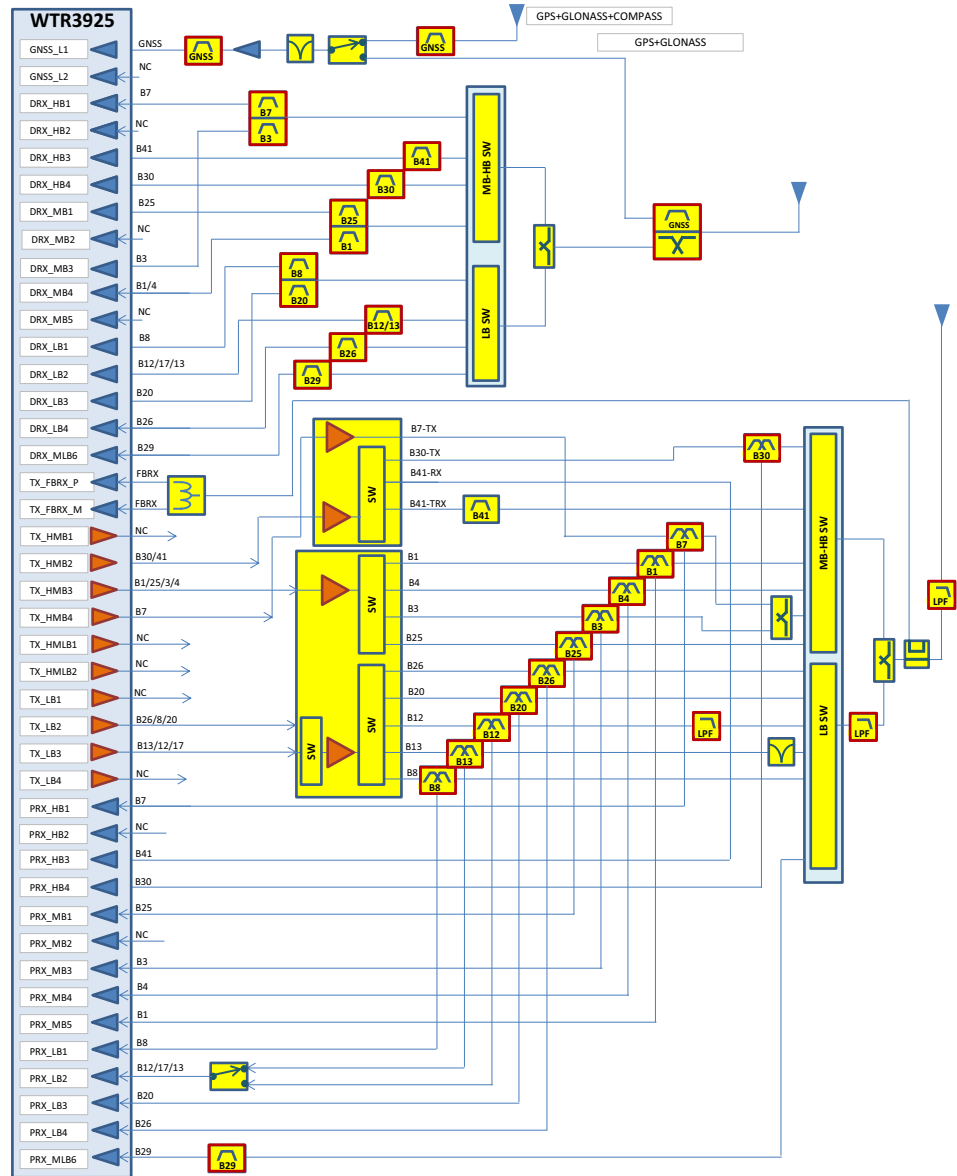


Figure 3-2: Expanded RF Block Diagram

## Host Interface Pin Assignments

The EM7455 host I/O connector provides pins for power, serial communications, and control. Pin assignments are listed in [Table 3-1](#).

Refer to the following tables for pin details based on interface types:

- [Table 3-2, Power and Ground Specifications](#), on page 27
- [Table 3-3, USB Interfaces](#), on page 27
- [Table 3-4, SIM Interface Signals](#), on page 28
- [Table 3-5, Module Control Signals](#), on page 31

Note: On any given interface (USB, SIM, etc.), leave unused inputs and outputs as no-connects.

Note: The host should not drive any signals to the module until the power-on sequence is complete.

**Table 3-1: Host Interface (67-pin) Connections — Module View<sup>a</sup>**

Pin	Signal name	Pin type <sup>b</sup>	Description	Direction <sup>c</sup>	Active state	Voltage levels (V)		
						Min	Typ	Max
1	CONFIG_3 (NC in default module configuration)		Reserved—Host must not repurpose this pin.					
2	VCC	V	Power source	Input	Power	3.135	3.7	4.4
3	GND	V	Ground	Input	Power	-	0	-
4	VCC	V	Power source	Input	Power	3.135	3.7	4.4
5	GND	V	Ground	Input	Power	-	0	-
6	Full_Card_Power_Off## <sup>d</sup>	PD	Turn modem on	Input	High	0.7	-	4.4
			Turn modem off	Input	Low	-0.3	-	0.5
7	USB_D+ <sup>d</sup>	-	USB data positive	Input/Output	Differential	-	-	-
8	W_DISABLE1# <sup>e</sup>	PU	Wireless Disable (main RF radio)	Input	Low	-	-	0.4
				Input	High	0.7	-	4.4
9	USB_D- <sup>d</sup>	-	USB data negative	Input/Output	Differential	-	-	-
10	WWAN_LED#	OC	LED Driver	Output	Low	0	-	0.15
11	GND	V	Ground	Input	Power	-	0	-
12	Key	Notch location						
13	Key	Notch location						
14	Key	Notch location						
15	Key	Notch location						
16	Key	Notch location						
17	Key	Notch location						
18	Key	Notch location						
19	Key	Notch location						
20	NC (For audio interface pin usage, see <a href="#">Audio Support on page 64.</a> )		Reserved—Host must not repurpose this pin.					

Table 3-1: Host Interface (67-pin) Connections — Module View<sup>a</sup> (Continued)

Pin	Signal name	Pin type <sup>b</sup>	Description	Direction <sup>c</sup>	Active state	Voltage levels (V)		
						Min	Typ	Max
21	CONFIG_0 (GND in default module configuration)		Reserved—Host must not repurpose this pin.	Output	-		0	
22	NC (For audio interface pin usage, see <a href="#">Audio Support on page 64.</a> )		Reserved—Host must not repurpose this pin.					
23	WAKE_ON_WAN# <sup>d</sup>	OC	Wake Host	Output	Low	0		0.1
24	NC (For audio interface pin usage, see <a href="#">Audio Support on page 64.</a> )		Reserved—Host must not repurpose this pin.					
25	DPR	-	Dynamic power control	Input	High	1.17	1.80	2.10
				Input	Low	-0.3	-	0.63
26	W_DISABLE2# <sup>e</sup>	PU	Wireless disable (GNSS radio)	Input	Low	-	-	0.4
				Input	High	0.7	-	4.4
27	GND	V	Ground	Input	Power	-	0	-
28	NC (For audio interface pin usage, see <a href="#">Audio Support on page 64.</a> )		Reserved—Host must not repurpose this pin.					
29	USB3.0_TX-		USB 3.0 Transmit Data negative	Output	Differential	-	-	-
30	UIM1_RESET <sup>d</sup>	O	SIM Reset	Output	Low	0	-	0.45
					High	2.55 (3V SIM) 1.35 (1.8V SIM)	3.00 (3V SIM) 1.80 (1.8V SIM)	3.10 (3V SIM) 1.90 (1.8V SIM)
31	USB3.0_TX+		USB 3.0 Transmit Data positive	Output	Differential	-	-	-
32	UIM1_CLK <sup>d</sup>	O	SIM Clock	Output	Low	0	-	0.45
					High	2.55 (3V SIM) 1.35 (1.8V SIM)	3.00 (3V SIM) 1.80 (1.8V SIM)	3.10 (3V SIM) 1.90 (1.8V SIM)
33	GND	V	Ground	Input	Power	-	0	-

**Table 3-1: Host Interface (67-pin) Connections — Module View<sup>a</sup> (Continued)**

Pin	Signal name	Pin type <sup>b</sup>	Description	Direction <sup>c</sup>	Active state	Voltage levels (V)		
						Min	Typ	Max
34	UIM1_DATA <sup>d</sup>	-	SIM IO pin	Input	Low	-0.30 (3V SIM) -0.30 (1.8V SIM)	-	0.60 (3V SIM) 0.35 (1.8V SIM)
					High	2.10 (3V SIM) 1.17 (1.8V SIM)	3.00 (3V SIM) 1.80 (1.8V SIM)	3.30 (3V SIM) 2.10 (1.8V SIM)
				Output	Low	0	-	0.40
					High	2.55 (3V SIM) 1.35 (1.8V SIM)	3.00 (3V SIM) 1.80 (1.8V SIM)	3.10 (3V SIM) 1.90 (1.8V SIM)
35	USB3.0_RX-		USB 3.0 Receive Data negative	Input	Differential	-	-	-
36	UIM1_PWR <sup>d</sup>	V	SIM VCC supply	Output	Power	2.90 (3V SIM) 1.75 (1.8V SIM)	3.00 (3V SIM) 1.80 (1.8V SIM)	3.10 (3V SIM) 1.85 (1.8V SIM)
37	USB3.0_RX+		USB 3.0 Receive Data positive	Input	Differential	-	-	-
38	NC		Reserved					
39	GND	V	Ground	Input	Power	-	0	-
40	SIM_DETECT_2		SIM2 indication	Input		0 V—SIM not present Open circuit—SIM present		
41	NC		Reserved					
42	UIM2_DATA <sup>d</sup>	-	SIM2 IO pin	Input	Low	-0.30 (3V SIM) -0.30 (1.8V SIM)	-	0.60 (3V SIM) 0.35 (1.8V SIM)
					High	2.10 (3V SIM) 1.17 (1.8V SIM)	3.00 (3V SIM) 1.80 (1.8V SIM)	3.30 (3V SIM) 2.10 (1.8V SIM)
				Output	Low	0	-	0.40
					High	2.55 (3V SIM) 1.35 (1.8V SIM)	3.00 (3V SIM) 1.80 (1.8V SIM)	3.10 (3V SIM) 1.90 (1.8V SIM)
43	NC		Reserved					



Table 3-1: Host Interface (67-pin) Connections — Module View<sup>a</sup> (Continued)

Pin	Signal name	Pin type <sup>b</sup>	Description	Direction <sup>c</sup>	Active state	Voltage levels (V)		
						Min	Typ	Max
44	UIM2_CLK <sup>d</sup>	O	SIM2 Clock	Output	Low	0	-	0.45
					High	2.55 (3V SIM) 1.35 (1.8V SIM)	3.00 (3V SIM) 1.80 (1.8V SIM)	3.10 (3V SIM) 1.90 (1.8V SIM)
45	GND	V	Ground	Input	Power	-	0	-
46	UIM2_RESET <sup>d</sup>	O	SIM2 Reset	Output	Low	0	-	0.45
					High	2.55 (3V SIM) 1.35 (1.8V SIM)	-	3.10 (3V SIM) 1.90 (1.8V SIM)
47	NC		Reserved					
48	UIM2_PWR <sup>d</sup>	V	SIM2 VCC supply	Output	Power	2.90 (3V SIM) 1.75 (1.8V SIM)	3.00 (3V SIM) 1.80 (1.8V SIM)	3.10 (3V SIM) 1.85 (1.8V SIM)
49	NC		Reserved					
50	NC		Reserved					
51	GND	V	Ground	Input	Power	-	0	-
52	NC		Reserved					
53	NC		Reserved					
54	NC		Reserved					
55	NC		Reserved					
56	NC (For audio interface pin usage, see <a href="#">Audio Support on page 64.</a> )		Reserved—Host must not repurpose this pin.					
57	GND	V	Ground	Input	Power	-	0	-
58	NC (For audio interface pin usage, see <a href="#">Audio Support on page 64.</a> )		Reserved—Host must not repurpose this pin.					
59	ANTCTL0 (GPIO1)		Customer-defined external switch control for multiple antennas	Output	High	1.35	-	1.80
				Output	Low	0	-	0.45
60	Reserved—Host must not repurpose this pin and should leave it not connected.							
61	ANTCTL1 (GPIO2)		Customer-defined external switch control for multiple antennas	Output	High	1.35	-	1.80
				Output	Low	0	-	0.45
62	Reserved—Host must not repurpose this pin and should leave it not connected.							

**Table 3-1: Host Interface (67-pin) Connections — Module View<sup>a</sup> (Continued)**

Pin	Signal name	Pin type <sup>b</sup>	Description	Direction <sup>c</sup>	Active state	Voltage levels (V)		
						Min	Typ	Max
63	ANTCTL2 (GPIO3)		Customer-defined external switch control for multiple antennas	Output	High	1.35	-	1.80
				Output	Low	0	-	0.45
64	Reserved—Host must not repurpose this pin and should leave it not connected.							
65	ANTCTL3 (GPIO4)		Customer-defined external switch control for multiple antennas	Output	High	1.35	-	1.80
				Output	Low	0	-	0.45
66	SIM_DETECT <sup>d</sup>	PU	SIM indication	Input		0 V—SIM not present Open circuit—SIM present		
67	RESET#	PU	Reset module	Input	Low	-0.3		0.63
68	NC		Reserved					
69	CONFIG_1 (GND in default module configuration)		Reserved—Host must not repurpose this pin.	Output	-		0	
70	VCC	V	Power source	Input	Power	3.135	3.7	4.4
71	GND	V	Ground	Input	Power	-	0	-
72	VCC	V	Power source	Input	Power	3.135	3.7	4.4
73	GND	V	Ground	Input	Power	-	0	-
74	VCC	V	Power source	Input	Power	3.135	3.7	4.4
75	CONFIG_2 (NC in default module configuration)	V	Reserved	Output	-	-		-

- a. All values are preliminary and subject to change.
- b. I—Input; O—Digital output; OC—Open Collector output; PU—Digital input (internal pull up); PD—Digital input (internal pull down); V—Power or ground
- c. Signal directions are from module's point of view (e.g. 'Output' from module to host, 'Input' to module from host.)
- d. Required signal
- e. Sierra Wireless recommends that the host implement an open collector driver where a Low signal will turn the module off or enter low power mode, and a high signal will turn the module on or leave low power mode.

## Power Supply

The host provides power to the EM7455 through multiple power and ground pins as summarized in [Table 3-2](#).

The host must provide safe and continuous power (via battery or a regulated power supply) at all times; the module does not have an independent power supply, or protection circuits to guard against electrical issues.

**Table 3-2: Power and Ground Specifications**

Name	Pins	Specification	Min	Typ	Max	Units
VCC (3.7V)	2, 4, 70, 72, 74	Voltage range	See <a href="#">Table 3-1 on page 22</a> .			
		Ripple voltage	-	-	100	mV <sub>pp</sub>
GND	3, 5, 11, 27, 33, 39, 45, 51, 57, 71, 73	-	-	0	-	V

## USB Interface

---

**Important:** Host support for USB 2.0 signals is required.

---



---

**Important:** Host support for USB 3.0 signals is optional, but if supported then the host must also support fallback to USB 2.0.

---

The device supports USB 2.0 and USB 3.0 interfaces for communication between the host and module.

The interfaces comply with the [9] *Universal Serial Bus Specification, Rev 2.0* and [10] *Universal Serial Bus Specification, Rev 3.0* (subject to limitations described below), and the host device must be designed to the same standards. (Note: When designing the host device, careful PCB layout practices must be followed.)

**Table 3-3: USB Interfaces**

	Name	Pin	Description
USB 2.0	USB_D+	7	Data positive
	USB_D-	9	Data negative
USB 3.0	USB3.0-TX <sup>-a</sup>	29	Transmit data negative
	USB3.0-TX <sup>+a</sup>	31	Transmit data positive
	USB3.0-RX <sup>-a</sup>	35	Receive data negative
	USB3.0-RX <sup>+a</sup>	37	Receive data positive

a. Signal directions (Tx/Rx) are from device's point of view.

## USB Throughput Performance

This device has been designed to achieve optimal performance and maximum throughput using USB superspeed mode (USB 3.0). Although the device may operate with a high speed host, throughput performance will be on an “as is” basis and needs to be characterized by the [OEM](#). Note that throughput will be reduced and may vary significantly based on [packet](#) size, host interface, and [firmware](#) revision.

## User-developed Drivers

Details for user-developed USB drivers are described in [\[4\] AirCard/AirPrime USB Driver Developer’s Guide \(Doc# 2130634\)](#).

## SIM Interface

---

*Note: Host support for SIM interface signals is required.*

---

The module supports up to two SIMs (Subscriber Identity Module) (1.8 V or 3 V). Each SIM holds information for a unique account, allowing users to optimize their use of each account on multiple devices.

---

*Note: Sprint requires the use of ISIM. USIM and CSIM are not supported per Sprint implementation.*

---

The [SIM](#) pins ([Table 3-4 on page 28](#)) provide the connections necessary to interface to SIM sockets located on the host device as shown in [Figure 3-3 on page 29](#). Voltage levels over this interface comply with 3GPP standards.

The types of SIM connectors used depends on how the host device exposes the SIM sockets.

**Table 3-4: SIM Interface Signals**

SIM	Name	Pin	Description	SIM contact <sup>a</sup>	Notes
Primary	UIM1_RESET	30	Reset	2	Active low SIM reset
	UIM1_CLK	32	Serial clock	3	Serial clock for SIM data
	UIM1_DATA	34	Data I/O	7	Bi-directional SIM data line
	UIM1_PWR	36	SIM voltage	1	Power supply for SIM
	SIM_DETECT	66	SIM indication	-	Input from host indicating whether SIM is present or not <ul style="list-style-type: none"> <li>• Grounded if no SIM is present</li> <li>• No-connect (floating) if SIM is inserted</li> </ul>
	UIM_GND		Ground	5	Ground reference UIM_GND is common to module ground

**Table 3-4: SIM Interface Signals (Continued)**

SIM	Name	Pin	Description	SIM contact <sup>a</sup>	Notes
Secondary	UIM2_RESET	46	Reset	2	Active low SIM reset
	UIM2_CLK	44	Serial clock	3	Serial clock for SIM data
	UIM2_DATA	42	Data I/O	7	Bi-directional SIM data line
	UIM2_PWR	48	SIM voltage	1	Power supply for SIM
	SIM_DETECT_2	40	SIM indication	-	Input from host indicating whether SIM is present or not <ul style="list-style-type: none"> <li>Grounded if no SIM is present</li> <li>No-connect (floating) if SIM is inserted</li> </ul>
	UIM2_GND		SIM indication	-	Ground reference UIM2_GND is common to module ground

a. See [Figure 3-4 on page 30](#) for SIM card contacts.

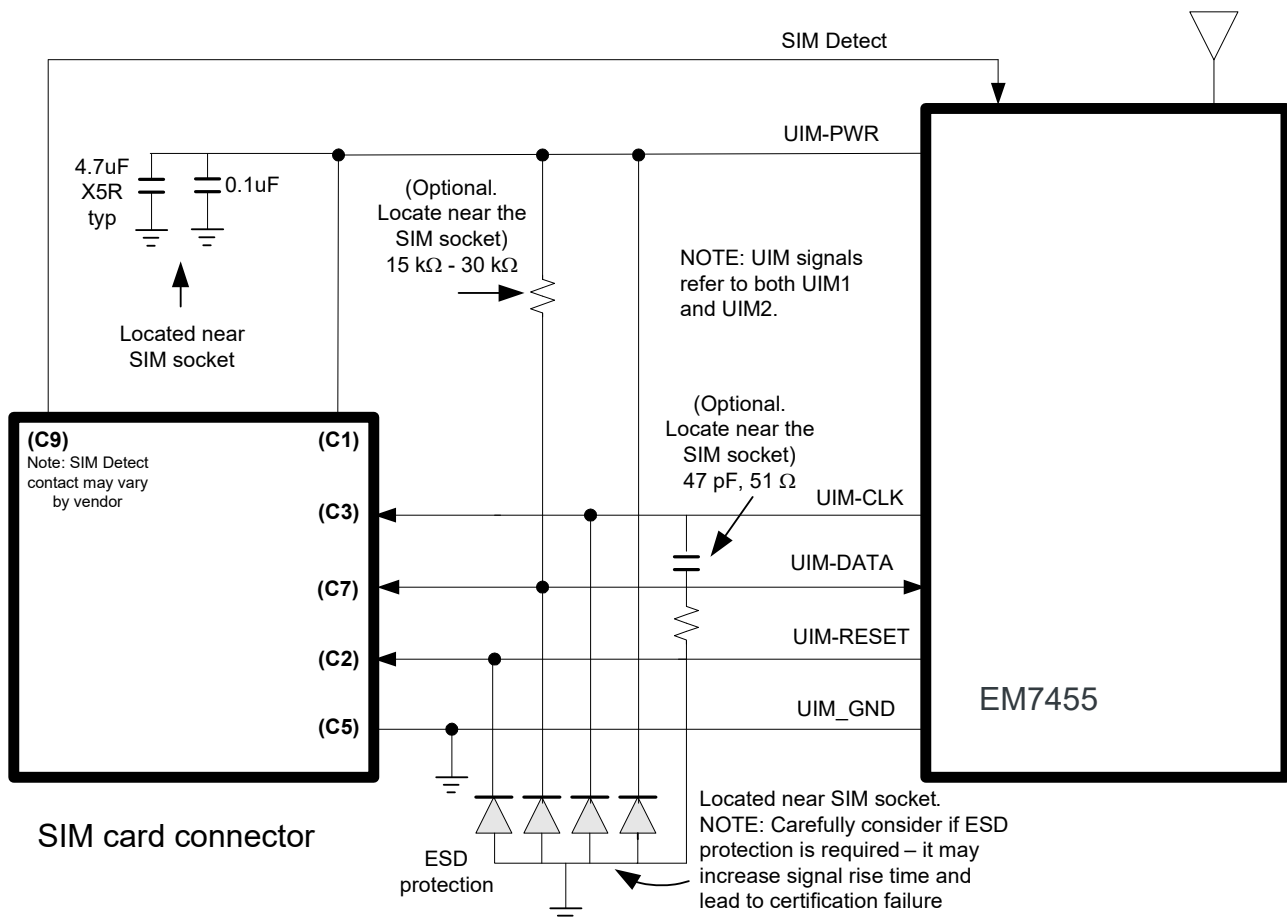


Figure 3-3: SIM Application Interface (applies to both SIM interfaces)

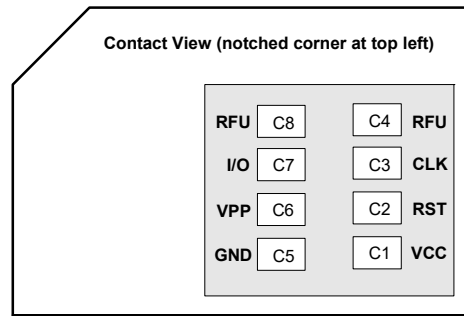


Figure 3-4: SIM Card Contacts (Contact View)

## SIM Implementation

*Note: For interface design requirements, refer to ETSI TS 102 230 V5.5.0, section 5.2.*

When designing the remote SIM interface, you *must* make sure that SIM signal integrity is not compromised.

Some design recommendations include:

- Total impedance of the VCC and GND connections to the SIM, measured at the module connector, should be less than 1  $\Omega$  to minimize voltage drop (includes any trace impedance and lumped element components—inductors, filters, etc.).
- Position the SIM connector  $\leq 10$  cm from the module. If a longer distance is required because of the host device design, use a shielded wire assembly—connect one end as close as possible to the SIM connector and the other end as close as possible to the module connector. The shielded assembly may help shield the SIM interface from system noise.
- Reduce crosstalk on the UIM1\_DATA and UIM2\_DATA lines to reduce the risk of failures during GCF approval testing.
- Avoid routing the clock and data lines for each SIM (UIM1\_CLK/UIM1\_DATA, UIM2\_CLK/UIM2\_DATA) in parallel over distances  $> 2$  cm—cross-coupling of a clock and data line pair can cause failures.
- 3GPP has stringent requirements for I/O rise time ( $< 1$   $\mu$ s), signal level limits, and noise immunity—consider this carefully when developing your PCB layout.
  - Keep signal rise time  $< 1$   $\mu$ s—keep SIM signals as short as possible, and keep very low capacitance traces on the data and clock signals (UIM1\_CLK, UIM1\_DATA, UIM2\_CLK, UIM2\_DATA). High capacitance increases signal rise time, potentially causing your device to fail certification tests.
- Add external pull-up resistors (15 k $\Omega$ –30 k $\Omega$ ), if required, between the data and power lines for each SIM (UIM1\_DATA/UIM1\_PWR, UIM2\_DATA/UIM2\_PWR) to optimize the signal rise time.
- VCC line should be decoupled close to the SIM socket.
- SIM is specified to run up to 5 MHz (SIM clock rate). Take note of this speed in the placement and routing of the SIM signals and connectors.
- You must decide whether additional ESD protection is required for your product, as it is dependent on the application, mechanical enclosure, and SIM

connector design. The SIM pins will require additional ESD protection if they are exposed to high ESD levels (i.e. can be touched by a user).

- Putting optional decoupling capacitors on the SIM power lines (UIM1\_PWR, UIM2\_PWR) near the SIM sockets is recommended—the longer the trace length (impedance) from the socket to the module, the greater the capacitance requirement to meet compliance tests.
- Putting an optional series capacitor and resistor termination (to ground) on the clock lines (UIM1\_CLK, UIM2\_CLK) at the SIM sockets to reduce EMI and increase signal integrity is recommended if the trace length between the SIM socket and module is long—47 pF and 50  $\Omega$  resistor are recommended.
- Test your first prototype host hardware with a Comprion IT<sup>3</sup> SIM test device at a suitable testing facility.

## Control Interface (Signals)

The EM7455 provides signals for:

- Waking the host when specific events occur
- Host control of the module's radios
- Host control of module power
- LED driver output

These signals are summarized in [Table 3-5](#) and paragraphs that follow.

**Table 3-5: Module Control Signals**

Name	Pin	Description	Type <sup>a</sup>
Full_Card_Power_Off#	6	On/off signal	PD
W_DISABLE1#	8	Wireless disable (Main RF)	PU
WWAN_LED#	10	LED driver	OC
WAKE_ON_WAN#	23	Wake host	O
W_DISABLE2#	26	Wireless disable (GNSS)	PU
RESET#	67	Reset module	PU

a. O—Digital pin Output; OC—Open Collector output; PD—Digital pin Input, internal pull down; PU—Digital pin Input, internal pull up

---

*Note: Host support for Full\_Card\_Power\_Off# is required, and support for other signals in [Table 3-5](#) is optional.*

---

## WAKE\_ON\_WAN# — Wake Host

The EM7455 uses WAKE\_ON\_WAN# to wake the host when specific events occur.

The host must provide a 5 k $\Omega$ –100 k $\Omega$  pullup resistor that considers total line capacitance (including parasitic capacitance) such that when WAKE\_ON\_WAN# is deasserted, the line will rise to 3.7 V (Host power rail) in < 100 ns.

See [Figure 3-5 on page 32](#) for a recommended implementation.

---

*Note: Host support for WAKE\_ON\_WAN# is optional.*

---

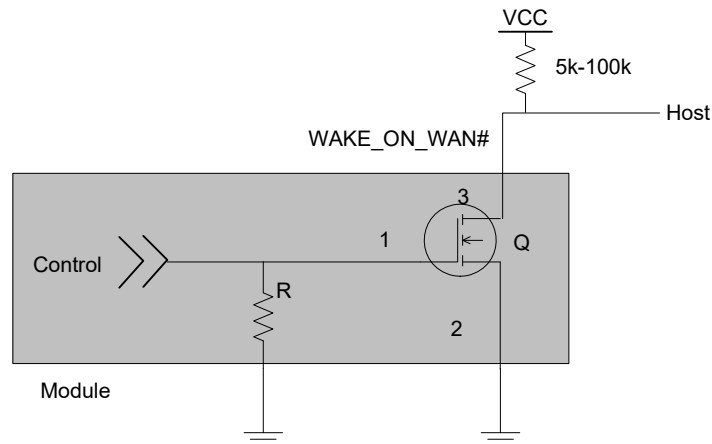


Figure 3-5: Recommended WAKE\_ON\_WAN# Connection

## W\_DISABLE1# (Wireless Disable) and W\_DISABLE2# (GNSS Disable)

*Note: Host support for wireless/GNSS disable signals is optional.*

The host device uses W\_DISABLE1# to enable/disable the WWAN or radio modem, and W\_DISABLE2# to enable/disable GNSS functionality.

Letting these signals float high allows the module to operate normally. These pins have 100 kΩ pull-up resistors. See [Figure 3-6 on page 33](#) for a recommended implementation.

When integrating with your host device, keep the following in mind:

- The signal is an input to the module and should be driven LOW to turn the radio off, or HIGH or floating to keep it on.
- If the host never needs to assert this power state control to the module, leave this signal unconnected from the host interface.

**Table 3-6: W\_DISABLE\_N Usage**

Name	Pin	Description / notes
<b>W_DISABLE1#</b>	8	Enable/disable the WWAN or radio modem <sup>a</sup> . When disabled, the modem cannot transmit or receive. <ul style="list-style-type: none"> <li>• Leave as not connected or drive HIGH to keep the modem always on.</li> <li>• Drive LOW to turn the modem off.</li> </ul>
<b>W_DISABLE2#</b>	26	Enable/disable GNSS functionality <sup>a</sup> <ul style="list-style-type: none"> <li>• Leave as not connected or drive HIGH to enable GNSS functionality.</li> <li>• Drive LOW to disable GNSS functionality.</li> <li>• For details on enabling / disabling GNSS functionality, see the AT!CUSTOM="GPSENABLE" command in [2] AirPrime EM74xx / MC74xx AT Command Reference (Doc# 4117727).</li> </ul>

a. Sierra Wireless recommends that the host implement an open collector driver where a Low signal turns off the modem or disables GNSS functionality, and a high signal turns on the modem or enables GNSS functionality.



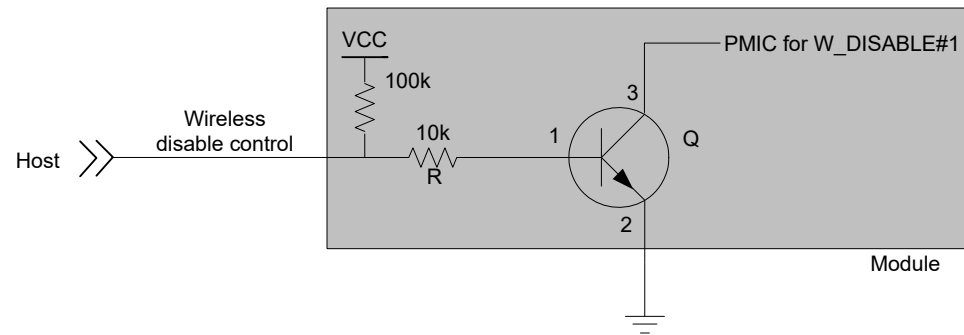


Figure 3-6: Recommended Wireless Disable Connection

## Full\_Card\_Power\_Off# and RESET#

*Note: Host support for Full\_Card\_Power\_Off# is required, and support for RESET# is optional.*

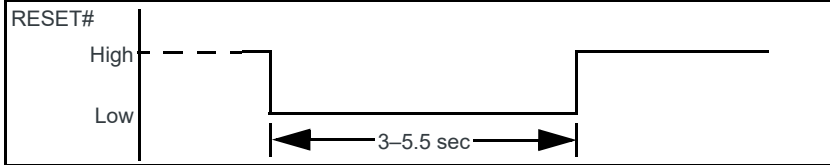
Full\_Card\_Power\_Off# and RESET# are inputs to the module that the host uses as described in [Table 3-7](#).

For timing details, see [Power On/Off Timing on page 50](#).

**Table 3-7: Full\_Card\_Power\_Off# and RESET# Usage**

Name	Pin	Description / notes
<b>Full_Card_Power_Off#</b>	6	Powers the module on/off. <ul style="list-style-type: none"> <li>• Signal is required.</li> <li>• Pull HIGH to keep the module on. To keep the module always on:               <ul style="list-style-type: none"> <li>• Tie the pin directly to a host GPIO (1.8V), or</li> <li>• Use an external pull-up to pull signal high (10k–20k for 1.8V, 75–100k for VCC rail). Note that a larger-value resistor will reduce leakage current.</li> </ul> </li> <li>• To power off the module, see <a href="#">Required Shutdown Sequence on page 52</a>.</li> </ul>

**Table 3-7: Full\_Card\_Power\_Off# and RESET# Usage (Continued)**

Name	Pin	Description / notes
<b>RESET#</b>	67	<p>Resets the module.</p> <ul style="list-style-type: none"> <li>Signal is optional. The module will operate correctly if the pin is left disconnected on the host.</li> <li>To reset the module, pulse the RESET# pin with a logic low signal for 3 sec (min) to 5.5 sec (max)—if the signal is held low for more than 5.5 seconds, the reset cycle restarts, and if it is held low through several cycles, the module will not fully boot. Otherwise, leave the signal floating or high impedance (the module will remain operational because the module has a pull-up resistor to an internal reference voltage (1.8V) in place.).</li> </ul>  <ul style="list-style-type: none"> <li>The signal requires an open collector input from the host.</li> <li>This is a 'hard' reset, which should be used only if the host cannot communicate with the module via the USB port. (If the port is not working, the module may have locked up or crashed.)</li> </ul> <hr/> <p><b>Caution:</b> RESET# should not be driven or pulled to a logic high level by the host, as this may cause damage to the module.</p> <hr/>

## WWAN\_LED#—LED Output

*Note: Host support for WWAN\_LED# is optional.*

The configuration for the LED shown in Figure 3-7 is customizable. Contact your Sierra Wireless account representative for details.

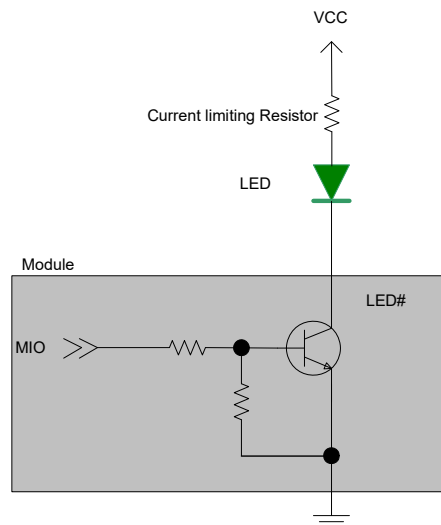


Figure 3-7: Example LED

## Antenna Control

*Note: Host support for antenna control signals is optional.*

The EM7455 provides four output signals (listed in [Table 3-8](#)) that may be used for host designs that incorporate tunable antennas. Customers can configure these signals as appropriate for the operating band(s) using the command AT!ANTSEL. (See [2] *AirPrime EM74xx/MC74xx AT Command Reference (Doc# 4117727)* for details.)

Note:

- Sierra Wireless recommends that two signals be used for high bands, and the other two signals for low/mid bands.
- To avoid detuning the PCC band, customers must make sure there are no GPIO state conflicts between the PCC and SCC for all supported CA combinations.

**Table 3-8: Antenna Control Signals**

Name	Pin	Description
ANTCTL0	59	Customer-defined external switch controls for tunable antennas
ANTCTL1	61	
ANTCTL2	63	
ANTCTL3	65	

## 4: RF Specifications

The EM7455 includes three **RF** connectors for use with host-supplied antennas:

- Main RF connector—Tx/Rx path
- GNSS RF connector—Dedicated GPS, GLONASS, BeiDou, and Galileo
- Auxiliary RF connector—Diversity, **MIMO**, GPS, GLONASS, and Galileo

The module does not have integrated antennas.

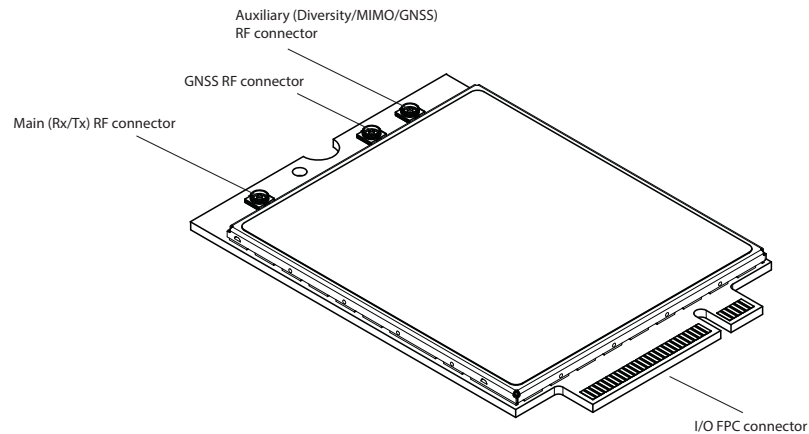


Figure 4-1: Module Connectors

### RF Connections

When attaching antennas to the module:

- Use RF plug connectors that are compatible with the following RF receptacle connectors: Foxconn (KK12011-02-7H), Longwell (911-002-0006R), Speedtech (C87P101-00001-H), Murata (MM4829-2702RA4 (HSC)), IPEX (20449-001E (MHF4)).
- Match coaxial connections between the module and the antenna to 50  $\Omega$ .
- Minimize RF cable losses to the antenna; the recommended maximum cable loss for antenna cabling is 0.5 dB.
- To ensure best thermal performance, use the mounting hole (if possible) to attach (ground) the device to a metal chassis.

---

*Note: If the antenna connection is shorted or open, the modem will not sustain permanent damage.*

---

### Shielding

The module is fully shielded to protect against EMI and must not be removed.

---

## Antenna and Cabling

When selecting the antenna and cable, it is critical to RF performance to match antenna gain and cable loss.

---

*Note: For detailed electrical performance criteria, see [Appendix B: Antenna Specification](#) on page 68.*

---

### Choosing the Correct Antenna and Cabling

When matching antennas and cabling:

- The antenna (and associated circuitry) should have a nominal impedance of 50  $\Omega$  with a return loss of better than 10 dB across each frequency band of operation.
- The system gain value affects both radiated power *and* regulatory (FCC, IC, CE, etc.) test results.

### Designing Custom Antennas

Consider the following points when designing custom antennas:

- A skilled RF engineer should do the development to ensure that the RF performance is maintained.
- If both UMTS and CDMA modules will be installed in the same platform, you may want to develop separate antennas for maximum performance.

### Determining the Antenna's Location

When deciding where to put the antennas:

- Antenna location may affect RF performance. Although the module is shielded to prevent interference in most applications, the placement of the antenna is still very important—if the host device is insufficiently shielded, high levels of broadband or spurious noise can degrade the module's performance.
- Connecting cables between the module and the antenna must have 50  $\Omega$  impedance. If the impedance of the module is mismatched, RF performance is reduced significantly.
- Antenna cables should be routed, if possible, away from noise sources (switching power supplies, LCD assemblies, etc.). If the cables are near the noise sources, the noise may be coupled into the RF cable and into the antenna. See [Interference from Other Wireless Devices on page 38](#).

### Disabling the Diversity Antenna

Use the AT command `!RXDEN=0` to disable receive diversity or `!RXDEN=1` to enable receive diversity.

---

*Note: A diversity antenna is used to improve connection quality and reliability through redundancy. Because two antennas may experience different interference effects (signal distortion, delay, etc.), when one antenna receives a degraded signal, the other may not be similarly affected.*

---

## Ground Connection

When connecting the module to system ground:

- Prevent noise leakage by establishing a very good ground connection to the module through the host connector.
- Connect to system ground using the mounting hole shown in [Figure 4-1 on page 36](#).
- Minimize ground noise leakage into the RF.  
Depending on the host board design, noise could *potentially* be coupled to the module from the host board. This is mainly an issue for host designs that have signals traveling along the length of the module, or circuitry operating at both ends of the module interconnects.

## Interference and Sensitivity

Several interference sources can affect the module's RF performance (RF desense). Common sources include power supply noise and device-generated RF.

RF desense can be addressed through a combination of mitigation techniques ([Methods to Mitigate Decreased Rx Performance on page 39](#)) and radiated sensitivity measurement ([Radiated Sensitivity Measurement on page 40](#)).

---

*Note: The EM7455 is based on ZIF (Zero Intermediate Frequency) technologies. When performing EMC (Electromagnetic Compatibility) tests, there are no IF (Intermediate Frequency) components from the module to consider.*

---

## Interference from Other Wireless Devices

Wireless devices operating inside the host device can cause interference that affects the module.

To determine the most suitable locations for antennas on your host device, evaluate each wireless device's radio system, considering the following:

- Any harmonics, sub-harmonics, or cross-products of signals generated by wireless devices that fall in the module's Rx range may cause spurious response, resulting in decreased Rx performance.
- The Tx power and corresponding broadband noise of other wireless devices may overload or increase the noise floor of the module's receiver, resulting in Rx desense.

The severity of this interference depends on the closeness of the other antennas to the module's antenna. To determine suitable locations for each wireless device's antenna, thoroughly evaluate your host device's design.

---

## Host-generated RF Interference

All electronic computing devices generate RF interference that can negatively affect the receive sensitivity of the module.

Proximity of host electronics to the antenna in wireless devices can contribute to decreased Rx performance. Components that are most likely to cause this include:

- Microprocessor and memory
- Display panel and display drivers
- Switching-mode power supplies

## Device-generated RF Interference

The module can cause interference with other devices. Wireless devices such as AirPrime embedded modules transmit in bursts (pulse transients) for set durations (RF burst frequencies). Hearing aids and speakers convert these burst frequencies into audible frequencies, resulting in audible noise.

## Methods to Mitigate Decreased Rx Performance

It is important to investigate sources of localized interference early in the design cycle. To reduce the effect of device-generated RF on Rx performance:

- Put the antenna as far as possible from sources of interference. The drawback is that the module may be less convenient to use.
- Shield the host device. The module itself is well shielded to avoid external interference. However, the antenna cannot be shielded for obvious reasons. In most instances, it is necessary to employ shielding on the components of the host device (such as the main processor and parallel bus) that have the highest RF emissions.
- Filter out unwanted high-order harmonic energy by using discrete filtering on low frequency lines.
- Form shielding layers around high-speed clock traces by using multi-layer PCBs.
- Route antenna cables away from noise sources.

## Radiated Spurious Emissions (RSE)

When designing an antenna for use with AirPrime embedded modules, the host device with an AirPrime embedded module must satisfy any applicable standards/local regulatory bodies for radiated spurious emission (RSE) for receive-only mode and for transmit mode (transmitter is operating).

Note that antenna impedance affects radiated emissions, which must be compared against the conducted 50-ohm emissions baseline. (AirPrime embedded modules meet the 50-ohm conducted emissions requirement.)

## Radiated Sensitivity Measurement

A wireless host device contains many noise sources that contribute to a reduction in Rx performance.

To determine the extent of any receiver performance desensitization due to self-generated noise in the host device, over-the-air (OTA) or radiated testing is required. This testing can be performed by Sierra Wireless or you can use your own OTA test chamber for in-house testing.

## Sierra Wireless' Sensitivity Testing and Desensitization Investigation

Although AirPrime embedded modules are designed to meet network operator requirements for receiver performance, they are still susceptible to various performance inhibitors.

As part of the Engineering Services package, Sierra Wireless offers modem OTA sensitivity testing and desensitization (desense) investigation. For more information, contact your account manager or the Sales Desk (see [Contact Information on page 3](#)).

---

*Note: Sierra Wireless has the capability to measure TIS (Total Isotropic Sensitivity) and TRP (Total Radiated Power) according to CTIA's published test procedure.*

---

## Sensitivity vs. Frequency

For UMTS bands, sensitivity is defined as the input power level in dBm that produces a BER (Bit Error Rate) of 0.1%. Sensitivity should be measured at all UMTS frequencies across each band.

For LTE bands, sensitivity is defined as the RF level at which throughput is 95% of maximum.

## Supported Frequencies

The EM7455 supports:

- Multiple-band LTE—See [Table 4-1 on page 41](#) (supported bands) and [Table 4-2 on page 41](#) (LTE bandwidth support).
- LTE Advanced carrier aggregation—See [Table 1-2 on page 13](#). For detailed carrier aggregation bandwidth support, see [LTE CA Bandwidth Support on page 93](#).
- Multiple-band WCDMA/HSPA/HSPA+/DC-HSPA+—See [Table 4-3 on page 42](#).
- Multiple-band WCDMA receive diversity
- GPS, GLONASS, BeiDou, Galileo—See [Table 4-7 on page 44](#).
- Inter-RAT and inter-frequency cell reselection and handover between supported frequency bands



Table 4-1: LTE Frequency Bands

Band	Frequency (Tx)	Frequency (Rx)
Band 1	1920–1980 MHz	2110–2170 MHz
Band 2	1850–1910 MHz	1930–1990 MHz
Band 3	1710–1785	1805–1880 MHz
Band 4	1710–1755	2110–2155 MHz
Band 5	824–849 MHz	869–894 MHz
Band 7	2500–2570 MHz	2620–2690 MHz
Band 8	880–915 MHz	925–960 MHz
Band 12	699–716 MHz	729–746 MHz
Band 13	777–787 MHz	746–756 MHz
Band 20	832–862 MHz	791–821 MHz
Band 25	1850–1915 MHz	1930–1995 MHz
Band 26	814–849 MHz	859–894 MHz
Band 29	n/a	717–728 MHz
Band 30	2305–2315 MHz	2350–2360 MHz
Band 41	2496–2690 MHz (TDD)	

Table 4-2: LTE Bandwidth Support<sup>a</sup>

Band	1.4 MHz	3 MHz	5 MHz	10 MHz	15 MHz	20 MHz
Band 1	✗	✗	✓	✓	✓	✓
Band 2	✓	✓	✓	✓	✓ <sup>b</sup>	✓ <sup>b</sup>
Band 3	✓	✓	✓	✓	✓ <sup>b</sup>	✓ <sup>b</sup>
Band 4	✓	✓	✓	✓	✓	✓
Band 5	✓	✓	✓	✓ <sup>b</sup>	✗	✗
Band 7	✗	✗	✓	✓	✓ <sup>c</sup>	✓ <sup>b,c</sup>
Band 8	✓	✓	✓	✓ <sup>b</sup>	✗	✗
Band 12	✓	✓	✓ <sup>b</sup>	✓ <sup>b</sup>	✗	✗
Band 13	✗	✗	✓ <sup>b</sup>	✓ <sup>b</sup>	✗	✗
Band 20	✗	✗	✓	✓ <sup>b</sup>	✓ <sup>b</sup>	✓ <sup>b</sup>
Band 25	✓	✓	✓	✓	✓ <sup>b</sup>	✓ <sup>b</sup>
Band 26	✓	✓	✓	✓ <sup>b</sup>	✓ <sup>b</sup>	✗

**Table 4-2: LTE Bandwidth Support<sup>a</sup>**

Band	1.4 MHz	3 MHz	5 MHz	10 MHz	15 MHz	20 MHz
Band 30	✗	✗	✓	✓ <sup>b</sup>	✗	✗
Band 41	✗	✗	✓	✓	✓	✓

- a. Table contents are derived from 3GPP TS 36.521-1 v12.6.0, table 5.4.2.1-1.
- b. Bandwidth for which a relaxation of the specified UE receiver sensitivity requirement (Clause 7.3 of 3GPP TS 36.521-1 v12.6.0) is allowed.
- c. Bandwidth for which uplink transmission bandwidth can be restricted by the network for some channel assignments in FDD/TDD co-existence scenarios in order to meet unwanted emissions requirements (Clause 6.6.3.2 of 3GPP TS 36.521-1 v12.6.0).

**Table 4-3: WCDMA Frequency Bands Support**

Band <sup>a</sup>	Frequency (Tx)	Frequency (Rx)
Band 1	1920–1980 MHz	2110–2170 MHz
Band 2	1850–1910 MHz	1930–1990 MHz
Band 3	1710–1785 MHz	1805–1880 MHz
Band 4	1710–1755 MHz	2110–2155 MHz
Band 5	824–849 MHz	869–894 MHz
Band 8	880–915 MHz	925–960 MHz

- a. WCDMA channel spacing is 5 MHz, but this can be adjusted to optimize performance in a particular deployment scenario.

## Conducted Rx Sensitivity / Tx Power

Note: All values in the following tables are preliminary, pending transceiver matching and testing.

**Table 4-4: Conducted Rx (Receive) Sensitivity—LTE Bands**

LTE bands		Conducted Rx sensitivity (dBm)			
		Primary (Typical)	Secondary (Typical)	SIMO (Typical)	SIMO <sup>a</sup> (Worst case)
LTE Band 1	Full RB BW: 10 MHz <sup>b</sup>	-97.5	-97.0	-100.5	-96.3
LTE Band 2		-97.0	-98.0	-100.5	-94.3
LTE Band 3		-97.0	-98.0	-100.0	-93.3
LTE Band 4		-97.5	-97.0	-100.0	-96.3
LTE Band 5		-98.5	-99.0	-102.0	-94.3
LTE Band 7		-96.5	-97.0	-100.0	-94.3
LTE Band 8		-99.0	-98.0	-101.5	-93.3
LTE Band 12		-97.5	-99.0	-101.5	-93.3
LTE Band 13		-97.0	-98.5	-101.0	-93.3
LTE Band 20		-98.5	-98.5	-101.5	-93.3
LTE Band 25		-97.0	-97.5	-100.5	-92.8
LTE Band 26		-98.5	-99.0	-102.0	-93.8
LTE Band 29		n/a	n/a	-101.75	-93.3
LTE Band 30		-95.5	-97.0	-99.5	-95.3
LTE Band 41		-95.5	-95.5	-98.5	-94.3

a. Per 3GPP specification

b. Sensitivity values scale with bandwidth:

$$x\_MHz\_Sensitivity = 10\_MHz\_Sensitivity - 10 \cdot \log(10 \text{ MHz}/x\_MHz)$$

Note: Bandwidth support is dependent on firmware version.

**Table 4-5: Conducted Rx (Receive) Sensitivity—UMTS Bands**

UMTS bands		Conducted Rx sensitivity (dBm)		
		Primary (Typical)	Secondary (Typical)	Primary / Secondary (Worst case) <sup>a</sup>
Band 1	CS 0.1% BER 12.2 kbps Reference Measurement Channel	-110.5	-109.0	-106.0
Band 2		-110.0	-110.0	-104.0
Band 3		-109.5	-110.0	-103.0
Band 4		-110.0	-109.5	-106.0
Band 5		-111.0	-112.0	-104.0
Band 8		-111.5	-110.5	-103.0

a. Per 3GPP specification

**Table 4-6: Conducted Tx (Transmit) Power Tolerances**

Parameter	Conducted transmit power	Notes
<b>LTE</b>		
LTE Band 1,2,3,4,5,8,12,13,20,25,26	+23 dBm ± 1 dB	
LTE Band 7,30,41	+22 dBm ± 1 dB	
<b>UMTS</b>		
Band 1 (IMT 2100 12.2 kbps) Band 2 (UMTS 1900 12.2 kbps) Band 3 (UMTS 1800 12.2 kbps) Band 4 (AWS 1700/2100 12.2 kbps) Band 5 (UMTS 850 12.2 kbps) Band 8 (UMTS 900 12.2 kbps)	+23 dBm ± 1 dB	Connectorized (Class 3)

## GNSS Specifications

*Note: For detailed electrical performance criteria, see [Recommended GNSS Antenna Specifications on page 70](#).*

**Table 4-7: GNSS Specifications**

Parameter/feature	Description
Satellite channels	Maximum 30 channels (16 GPS, 14 GLONASS), simultaneous tracking
Protocols	NMEA 0183 V3.0

**Table 4-7: GNSS Specifications (Continued)**

Parameter/feature	Description
Acquisition time <sup>a</sup>	Hot start: 1 s Warm start: 29 s Cold start: 32 s
Accuracy	Horizontal: < 2 m (50%); < 5 m (90%) Altitude: < 4 m (50%); < 8 m (90%) Velocity: < 0.2 m/s
Sensitivity	Tracking <sup>b</sup> : -160 dBm Acquisition <sup>c</sup> (Assisted): -158 dBm Acquisition (Standalone): -145 dBm
Operational limits	Altitude <6000 m or velocity <100 m/s (Either limit may be exceeded, but not both.)

- a. Acquisition times measured with signal strength = -135 dBm
- b. Tracking sensitivity is the lowest GNSS signal level for which the device can still detect an in-view satellite 50% of the time when in sequential tracking mode.
- c. Acquisition sensitivity is the lowest GNSS signal level for which the device can still detect an in-view satellite 50% of the time.

## 5: Power

### Power Consumption

Power consumption measurements in the tables below are for the EM7455 connected to the host PC via USB.

The module does not have its own power source and depends on the host device for power. For a description of input voltage requirements, see [Power Supply on page 27](#).

**Table 5-1: Averaged Standby DC Power Consumption<sup>a</sup>**

Signal	Description	Bands <sup>b</sup>	Current			Notes / configuration	
			Typ	Max <sup>c</sup>	Unit		
VCC	<b>Standby current consumption (Sleep mode activated<sup>d</sup>)</b>						
	LTE	LTE Bands	2.8	3.3	mA	DRX cycle = 8 (2.56 s)	
	HSPA / WCDMA	UMTS bands	2.8	3.3	mA	DRX cycle = 8 (2.56 s)	
	<b>Standby current consumption<sup>e</sup> (Sleep mode deactivated<sup>d</sup>)</b>						
	LTE	LTE bands	31	35	mA	DRX cycle = 8 (2.56 s)	
	HSPA / WCDMA	UMTS bands	31	35	mA	DRX cycle = 8 (2.56 s)	
	<b>Low Power Mode (LPM)/Offline Mode<sup>e</sup> (Sleep mode activated<sup>d</sup>)</b>						
	RF disabled, but module is operational			2.1	2.6	mA	
	<b>Low Power Mode (LPM)/Offline Mode<sup>e</sup> (Sleep mode deactivated<sup>d</sup>)</b>						
	RF disabled, but module is operational			29	32	mA	
	<b>Leakage current</b>						
	Module powered off— Full_Card_Power_Off# is Low, and VCC is supplied			70	120	μA	

- Preliminary, subject to change.
- For supported bands, see [Table 4-1, LTE Frequency Bands](#), on page 41 and [Table 4-3, WCDMA Frequency Bands Support](#), on page 42.
- Measured at 25°C/nominal 3.7 V voltage.
- Assumes USB bus is fully suspended during measurements
- LPM and standby power consumption will increase when LEDs are enabled. To reduce power consumption, configure LEDs to remain off while in standby and LPM modes.

Table 5-2: Averaged Call Mode DC Power Consumption

Description	Tx power	Current <sup>a</sup>		Notes
		Typ	Unit	
LTE	0 dBm	580	mA	CA 300/50 Mbps, 20 MHz+20 MHz BW
		310	mA	CA 100/50 Mbps, 10 MHz+10 MHz BW
		380	mA	150/50 Mbps, 20 MHz BW
	20 dBm	900	mA	CA 300/50 Mbps, 20 MHz+20 MHz BW
		600	mA	CA 100/50 Mbps, 10 MHz+10 MHz BW
		720	mA	150/50 Mbps, 20 MHz BW
	23 dBm	1000	mA	CA 300/50 Mbps, 20 MHz+20 MHz BW
		650	mA	CA 100/50 Mbps, 10 MHz+10 MHz BW
		770	mA	150/50 Mbps, 20 MHz BW
DC-HSPA/HSPA	0 dBm	290	mA	All speeds
	20 dBm	400	mA	All speeds
	23 dBm	530	mA	Worst case

a. Measured at 25°C/nominal 3.7 V voltage

Table 5-3: Miscellaneous DC Power Consumption

Signal	Description	Current / Voltage			Unit	Notes / configuration
		Min	Typ	Max		
VCC	USB active current	—	15	20	mA	High speed USB connection, $C_L = 50$ pF on D+ and D- signals
	Inrush current	—	2.2	2.5	A	<ul style="list-style-type: none"> <li>Assumes power supply turn on time &gt; 100µs</li> <li>Dependent on host power supply rise time.</li> </ul>
	Maximum current	—	—	1.5	A	<ul style="list-style-type: none"> <li>Across all bands, all temperature ranges</li> <li>3.7 V supply</li> </ul>
GNSS Signal connector	Active bias on GNSS port	—	—	100	mA	Voltage applied to the GNSS antenna to power electronics inside the antenna (GNSS RF connector in <a href="#">Figure 4-1 on page 36</a> ).
		3.0	3.15	3.25	V	

## Module Power States

The module has five power states, as described in [Table 5-4](#).

**Table 5-4: Module Power States**

State	Details	Host is powered	Module is powered	USB interface active	RF enabled
<b>Normal (Default state)</b>	<ul style="list-style-type: none"> <li>Module is active</li> <li>Default state. Occurs when VCC is first applied, Full_Card_Power_Off# is deasserted (pulled high), and W_DISABLE1# is deasserted</li> <li>Module is capable of placing/receiving calls, or establishing data connections on the wireless network</li> <li>Current consumption is affected by several factors, including:                             <ul style="list-style-type: none"> <li>Radio band being used</li> <li>Transmit power</li> <li>Receive gain settings</li> <li>Data rate</li> </ul> </li> </ul>	✓	✓	✓	✓
<b>Low power ('Airplane mode')</b>	<ul style="list-style-type: none"> <li>Module is active</li> <li>Module enters this state:                             <ul style="list-style-type: none"> <li>Under host interface control:                                     <ul style="list-style-type: none"> <li>Host issues AT+CFUN=0 ([1] AT Command Set for User Equipment (UE) (Release 6) (Doc# 3GPP TS 27.007)), or</li> <li>Host asserts W_DISABLE1#, after AT!PCOFFEN=0 has been issued.</li> </ul> </li> <li>Automatically, when critical temperature or voltage trigger limits have been reached))</li> </ul> </li> </ul>	✓	✓	✓	✗
<b>Sleep</b>	<ul style="list-style-type: none"> <li>Normal state of module between calls or data connections</li> <li>Module cycles between wake (polling the network) and sleep, at network provider-determined interval.</li> </ul>	✓	✓	✗	✗
<b>Off</b>	<ul style="list-style-type: none"> <li>Host keeps module powered off by asserting Full_Card_Power_Off# (signal pulled low or left floating)</li> <li>Module draws minimal current</li> <li>See <a href="#">Full_Card_Power_Off# and RESET# on page 33</a> for more information.</li> </ul>	✓	✗	✗	✗
<b>Disconnected</b>	<ul style="list-style-type: none"> <li>Host power source is disconnected from the module and all voltages associated with the module are at 0 V.</li> </ul>	✗	✗	✗	✗



## Power State Transitions

The module uses state machines to monitor supply voltage and operating temperature, and notifies the host when critical threshold limits are exceeded. (See [Table 5-5](#) for trigger details and [Figure 5-1](#) for state machine behavior.)

Power state transitions may occur:

- Automatically, when critical supply voltage or module temperature trigger levels are encountered.
- Under host control, using available AT commands in response to user choices (for example, opting to switch to airplane mode) or operating conditions.

**Table 5-5: Power State Transition Trigger Levels**

Transition	Voltage		Temperature <sup>a</sup>		Notes
	Trigger	V <sup>b</sup>	Trigger	°C	
Normal to Low Power	VOLT_HI_CRIT	4.4	TEMP_LO_CRIT	-45	• RF activity suspended
	VOLT_LO_CRIT	2.9	TEMP_HI_CRIT	93	
Low Power to Normal	VOLT_HI_NORM	4.3	TEMP_NORM_LO	-30	• RF activity resumed
Low Power to Normal or Remain in Normal (Remove warnings)	VOLT_LO_NORM	3.3	TEMP_HI_NORM	70	
Normal (Issue warning)	VOLT_LO_WARN	3.2	TEMP_HI_WARN	80	• In the TEMP_HI_WARN state, the module may have reduced performance (Class B temperature range).
Power off/on (Host-initiated)	-	-	-	-	• Power off recommended when supply voltage or module operating temperature is critically low or high.

a. Module-reported temperatures at the printed circuit board.

b. Supply voltage—3.7V

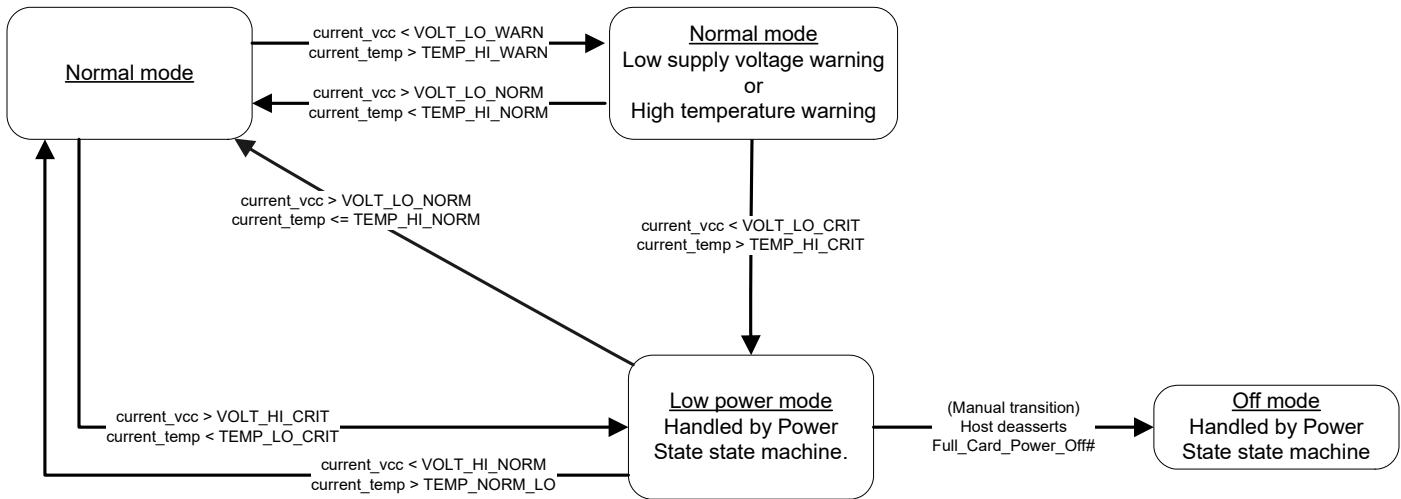


Figure 5-1: Voltage/Temperature Monitoring State Machines

## Power Interface

### Power Ramp-up

On initial power up, inrush current depends on the power supply rise time—turn on time >100 μs is required for < 3A inrush current.

The supply voltage must remain within specified tolerances while this is occurring.

### Timing

#### Power On/Off Timing

Figure 5-2 describes the timing sequence for powering the module on and off.

Note: The host should not drive any signals to the module until the power-on sequence is complete.

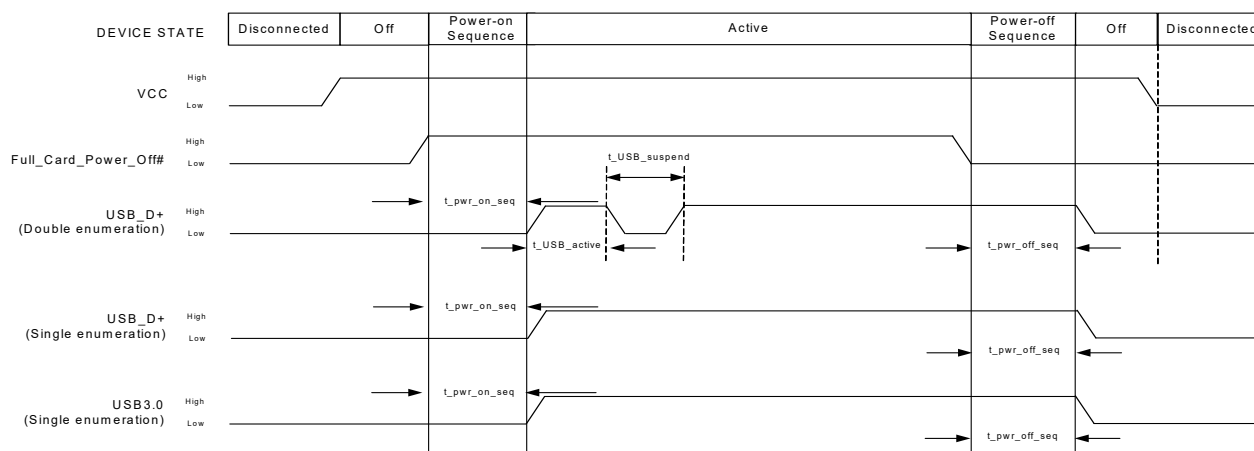


Figure 5-2: Signal Timing (Full\_Card\_Power\_Off#, and USB Enumeration)

Table 5-6: USB 2.0 Power-On/Off Timing Parameters (Double Enumeration)

Parameter	Typical (s)	Maximum (s)
$t_{pwr\_on\_seq}$	0.55	0.65
$t_{USB\_active}$	0.15	0.2
$t_{USB\_suspend}$	7.5	11
$t_{pwr\_off\_seq}$	20	25

Table 5-7: USB 2.0 Power-On/Off Timing Parameters (Single Enumeration)

Parameter	Typical (s)	Maximum (s)
$t_{pwr\_on\_seq}$	8.6	11
$t_{pwr\_off\_seq}$	20	25

Table 5-8: USB 3.0 Power-On/Off Timing Parameters (Single Enumeration)

Parameter	Typical (s)	Maximum (s)
$t_{pwr\_on\_seq}$	8.5	11
$t_{pwr\_off\_seq}$	20	25

## USB Enumeration

The unit supports single and double USB enumeration with the host:

- Single enumeration:
  - Applies to USB 2.0 and USB 3.0
  - Enumeration starts within maximum  $t_{pwr\_on\_seq}$  seconds of power-on.
- Double enumeration—As shown in [Figure 5-2](#):
  - Applies to USB 2.0 only
  - First enumeration starts within  $t_{pwr\_on\_seq}$  seconds of power-on (while USB\_D+ is high)
  - Second enumeration starts after  $t_{USB\_suspend}$  (when USB\_D+ goes high again)

## Reset Timing

To reset the module, hold the RESET# signal low for at least 3 seconds.

## Required Shutdown Sequence

---

**Warning:** *To avoid causing issues with the file system, follow this shutdown sequence.*

---

1. Drive Full\_Card\_Power\_Off# low.
2. Wait for at least  $t_{pwr\_off\_seq}$  seconds.
3. Remove power.

## Power Supply Noise

Noise in the power supply can lead to noise in the RF signal.

The power supply ripple limit for the module is no more than 100 mVp-p 1 Hz to 100 kHz. This limit includes voltage ripple due to transmitter burst activity.

Additional decoupling capacitors can be added to the main VCC line to filter noise into the device.

## SED (Smart Error Detection)

The module uses a form of SED to track premature modem resets.

- Module tracks consecutive resets occurring soon after power-on.
- After a sixth consecutive reset, the module waits in boot-and-hold mode for a firmware download to resolve the power-cycle problem.

## Tx Power Control

The module's Tx power limit may be controlled using either SAR backoff AT commands, defined in [2] *AirPrime EM74xx/MC74xx AT Command Reference (Doc# 4117727)*, or the DPR (Dynamic power control) signal. Use the GPIOARENABLE parameter for !CUSTOM to choose the method:

- AT commands:
  - !SARSTATEDFLT—Set (or report) the default SAR backoff state that the device uses when it powers up. This setting is persistent across power cycles and overrides any PRI setting.
  - !SARSTATE—Set (or report) the current SAR backoff state (override the default state). This change in state is non-persistent across power cycles.
  - !SARBACKOFF—Set (or report) the maximum Tx power limit for a specific band/technology/state combination.
- Dynamic power control—The module's firmware monitors DPR (pin 25) and adjusts the RF Tx power appropriately, as detailed in [Table 5-9](#). (This state change is equivalent to issuing the !SARSTATE AT command.)

---

*Note: A customization is available to invert the DPR logic. (e.g. make DPR low = No SAR backoff)*

---

**Table 5-9: Dynamic Power Control of SAR Backoff State**

DPR	SAR backoff state
High <sup>a</sup>	No SAR backof
Low	Backoff 1

a. DPR is pulled high by default.

---

*Note: The host can implement an open collector drive for the DPR pin (if a 1.8 V-compatible drive is not available).*

---

## >> 6: Software Interface

### Support Tools

The EM7455 is compatible with the following support tools from Sierra Wireless and authorized third parties:

- Firmware update utilities from Sierra Wireless
- Sierra Wireless Logger
- QXDM from QUALCOMM
- QUALCOMM Product Support Tool (QPST)
- Windows and Linux SDKs (including API and drivers)

### USB Interface

The device supports the following protocols for modem communication:

- Qualcomm QMI interface. (Please contact your Sierra Wireless account representative for QMI interface documentation.)
- MBIM (Mobile Broadband Interface Model)

### MTU Size (Windows 7)

The MTU (Maximum Transmission Unit) size is configured using a driver installer command line option:

MTUSize=<value> (<value> is the size in bytes)

Example:

```
driverinstaller /MTUSize=1428
```

---

*Note: Wireless network operators will have their own specific MTU requirements.*

---

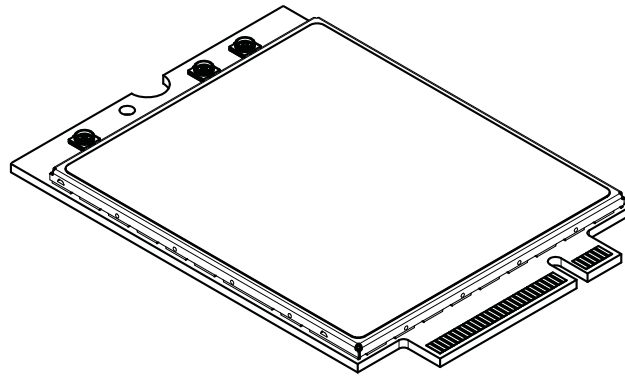
## >> 7: Mechanical and Environmental Specifications

The EM7455 module complies with the mechanical and environmental specifications in [Table 7-1](#). Final product conformance to these specifications depends on the [OEM](#) device implementation.

**Table 7-1: Mechanical and Environmental Specifications**

	Mode	Details
Ambient temperature	Operational Class A	-30°C to +70°C – 3GPP compliant
	Operational Class B	-40°C to +85°C – non-3GPP compliant (reduced operating parameters required)
	Non-operational	-40°C to +85°C, 96 hours (from MIL-STD 202 Method 108)
Relative humidity	Non-operational	85°C, 85% relative humidity for 48 hours (non-condensing)
Vibration	Non-operational	Random vibration, 10 to 2000 Hz, 0.1 g <sup>2</sup> /Hz to 0.0005 g <sup>2</sup> /Hz, in each of three mutually perpendicular axes. Test duration of 60 minutes for each axis, for a total test time of three hours.
Shock	Non-operational	Half sine shock, 11 ms, 30 g, 8x each axis Half sine shock, 6 ms, 100 g, 3x each axis
Drop	Non-operational	1 m on concrete on each of six faces, two times (module only)
(Electrostatic discharge (See <a href="#">Electrostatic Discharge (ESD)</a> on <a href="#">page 57</a> .)	Operational	The RF port (antenna launch and RF connector) complies with the IEC 61000-4-2 standard: <ul style="list-style-type: none"> <li>Electrostatic Discharge Immunity: Test: Level3 Air Discharge: ±8 kV</li> </ul>
	Non-operational	The host connector interface complies with the following standard only: <ul style="list-style-type: none"> <li>minimum ±500 V Human Body Model (JESD22-A114-B)</li> </ul>
Thermal considerations		See <a href="#">Thermal Considerations on page 58</a> .
Form factor		M.2 Form Factor
Dimensions		Length: 42±0.15 mm (max) Width: 30±0.15 mm (max) Thickness: Above PCB—1.50 mm (max) PCB—0.88 mm (max) Weight: 6.5 g

## Device Views



Top view

Figure 7-1: Top View

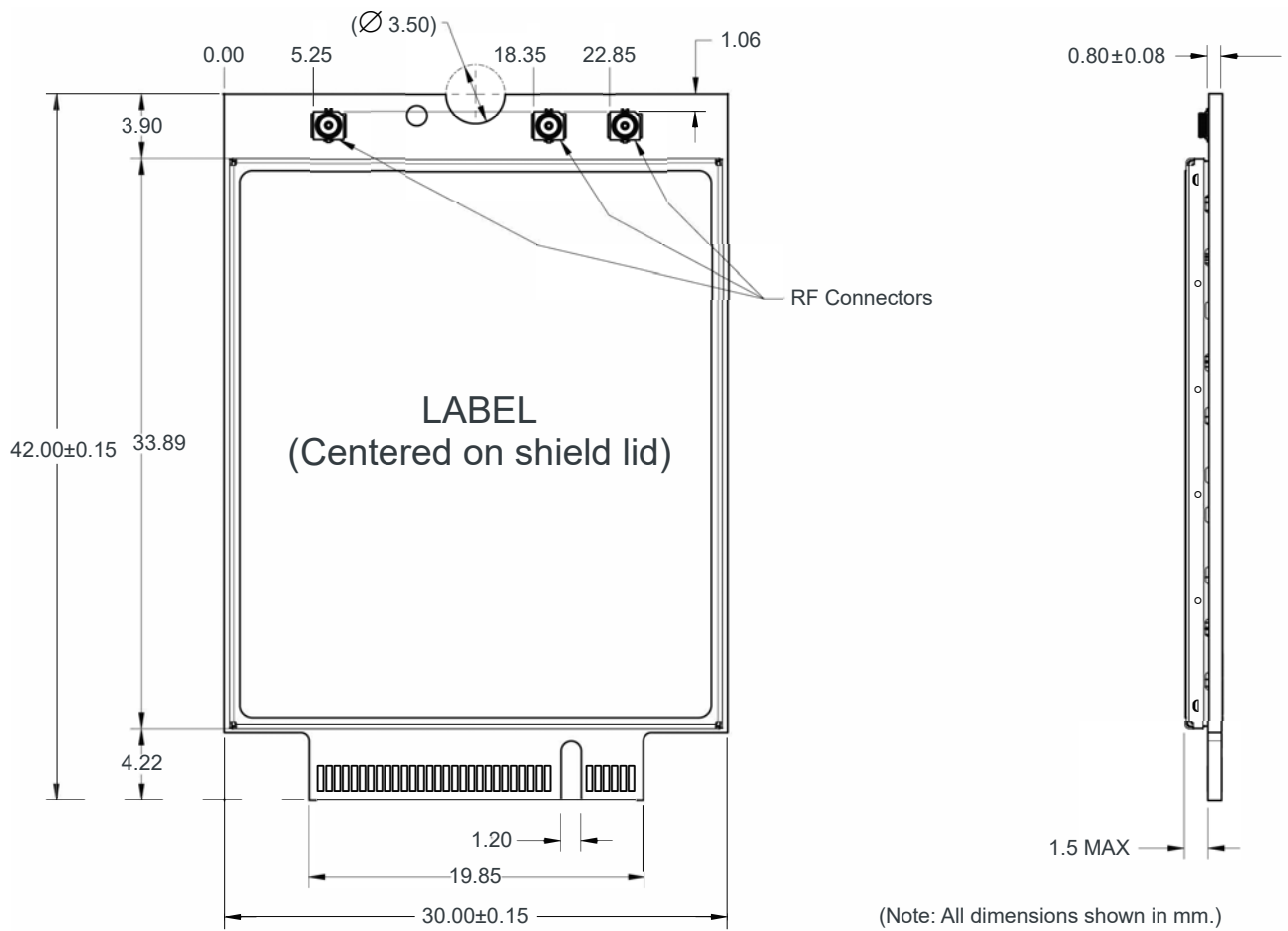


Figure 7-2: Dimensioned View



## Labeling



Figure 7-3: Unit Label

---

*Note: The displayed label is an example only. The production label will vary by [SKU](#).*

---

The EM7455 label is non-removable, centered on the shield lid, and may contain:

- Sierra Wireless logo and product name
- [IMEI](#) number in Code-128 barcode format
- [SKU](#) number (when required)
- Factory Serial Number ([FSN](#)) in alphanumeric format
- Manufacturing date code (incorporated into FSN)
- Licensed vendor logo
- Certification marks/details

---

*Note: The EM7455 supports [OEM](#) partner-specific label requirements.*

---

## Electrostatic Discharge (ESD)

The OEM is responsible for ensuring that the EM7455 host interface pins are not exposed to ESD during handling or normal operation. (See [Table 7-1 on page 55](#) for specifications.)

ESD protection is highly recommended for the SIM connector at the point where the contacts are exposed, and for any other signals from the host interface that would be subjected to ESD by the user of the product. (The device includes ESD protection on the antenna.)

## Thermal Considerations

Embedded modules can generate significant amounts of heat that must be dissipated in the host device for safety and performance reasons.

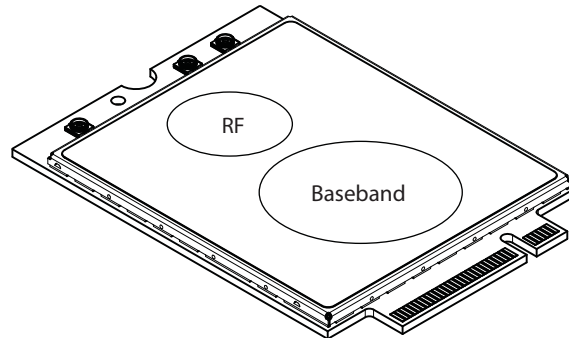


Figure 7-4: Shield Locations (Top View)

The amount of thermal dissipation required depends on:

- Supply voltage—Maximum power dissipation for the module can be up to 3.5 W at voltage supply limits.
- Usage—Typical power dissipation values depend on the location within the host, amount of data transferred, etc.

Specific areas requiring heat dissipation are shown in [Figure 7-4](#):

- RF—Bottom face of module near RF connectors. Likely to be the hottest area.
- Baseband—Bottom face of module, below the baseband area.

To enhance heat dissipation:

- It is recommended to add a heat sink that mounts the module to the main PCB or metal chassis (a thermal compound or pads must be used between the module and the heat sink).

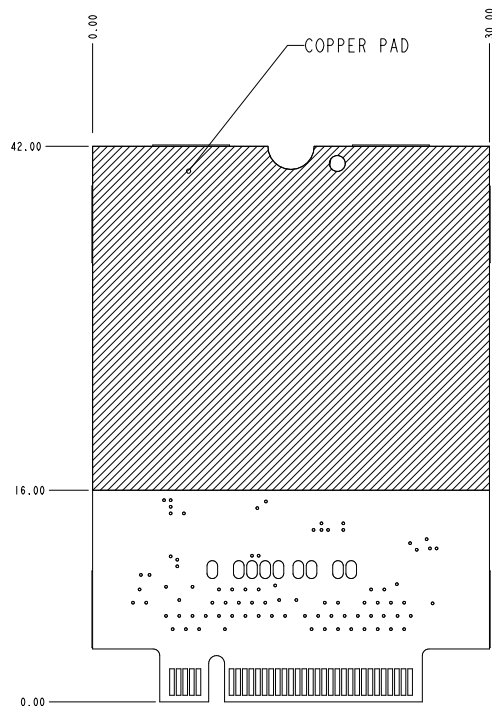


Figure 7-5: Copper Pad Location on Bottom Side of Module

- Maximize airflow over/around the module.
- Locate the module away from other hot components.
- Module mounting holes must be used to attach (ground) the device to the main PCB ground or a metal chassis.
- You may also need active cooling to pull heat away from the module.

---

*Note: Adequate dissipation of heat is necessary to ensure that the module functions properly.*

---

## Module Integration Testing

When testing your integration design:

- Test to your worst case operating environment conditions (temperature and voltage)
- Test using worst case operation (transmitter on 100% duty cycle, maximum power)
- Monitor temperature at all shield locations. Attach thermocouples to the areas indicated in [Figure 7-4 on page 58](#) (RF, Baseband).

---

*Note: Make sure that your system design provides sufficient cooling for the module.*

---

(For acceptance, certification, quality, and production (including RF) test suggestions, see [Testing on page 74](#).)

## >> 8: Regulatory Compliance and Industry Certifications

This module is designed to meet, and upon commercial release, will meet the requirements of the following regulatory bodies and regulations, where applicable:

- Federal Communications Commission (FCC) of the United States
- The Certification and Engineering Bureau of Industry Canada (IC)
- The National Communications Commission (NCC) of Taiwan, Republic of China
- Ministry of Internal Affairs and Communications (MIC) of Japan
- Radio Equipment and Telecommunications Terminal Equipment (RED) Directive of the European Union
- The National Telecommunications Agency (ANATEL) of Brazil

Upon commercial release, the following industry certifications will have been obtained, where applicable:

- GCF
- PTCRB

Additional certifications and details on specific country approvals may be obtained upon customer request—contact your Sierra Wireless account representative for details.

Additional testing and certification may be required for the end product with an embedded EM7455 module and are the responsibility of the [OEM](#). Sierra Wireless offers professional services-based assistance to OEMs with the testing and certification process, if required.

### Important Notice

Because of the nature of wireless communications, transmission and reception of data can never be guaranteed. Data may be delayed, corrupted (i.e., have errors) or be totally lost. Although significant delays or losses of data are rare when wireless devices such as the Sierra Wireless module are used in a normal manner with a well-constructed network, the Sierra Wireless module should not be used in situations where failure to transmit or receive data could result in damage of any kind to the user or any other party, including but not limited to personal injury, death, or loss of property. Sierra Wireless and its affiliates accept no responsibility for damages of any kind resulting from delays or errors in data transmitted or received using the Sierra Wireless module, or for failure of the Sierra Wireless module to transmit or receive such data.

### Safety and Hazards

Do not operate your EM7455 module:

- In areas where blasting is in progress
- Where explosive atmospheres may be present including refuelling points, fuel depots, and chemical plants
- Near medical equipment, life support equipment, or any equipment which may be susceptible to any form of radio interference. In such areas, the EM7455 module

**MUST BE POWERED OFF.** Otherwise, the EM7455 module can transmit signals that could interfere with this equipment.

In an aircraft, the EM7455 module **MUST BE POWERED OFF.** Otherwise, the EM7455 module can transmit signals that could interfere with various onboard systems and may be dangerous to the operation of the aircraft or disrupt the cellular network. Use of a cellular phone in an aircraft is illegal in some jurisdictions. Failure to observe this instruction may lead to suspension or denial of cellular telephone services to the offender, or legal action or both.

Some airlines may permit the use of cellular phones while the aircraft is on the ground and the door is open. The EM7455 module may be used normally at this time.

## Important Compliance Information for North American Users

The EM7455 module, upon commercial release, will have been granted modular approval for mobile applications. Integrators may use the EM7455 module in their final products without additional FCC/IC (Industry Canada) certification if they meet the following conditions. Otherwise, additional FCC/IC approvals must be obtained.

1. At least 20 cm separation distance between the antenna and the user’s body must be maintained at all times.
2. To comply with FCC/IC regulations limiting both maximum RF output power and human exposure to RF radiation, the maximum antenna gain including cable loss in a mobile-only exposure condition must not exceed the limits stipulated in [Table 8-1 on page 61](#).

**Table 8-1: Antenna Gain Specifications**

Device	Technology	Band	Frequency (MHz)	Maximum antenna gain (dBi)
EM7455 Embedded Module	LTE	2	1850–1910	6
		4	1710–1755	6
		5	824–849	6
		7	2500–2570	9
		12	699–716	6
		13	777–787	6
		25	1850–1915	6
		26	814–849	6
		30	2305–2315	1 (See *Important note below.)
		41	2496–2690	9
	UMTS	2	1850–1910	6
		4	1710–1755	6
		5	824–849	6

**\*Important:** The FCC and IC have a strict EIRP limit in Band 30 for mobile and portable stations in order to protect adjacent satellite radio, aeronautical mobile telemetry, and deep space network operations. Mobile and portable stations must not have antenna gain exceeding 1 dBi in Band 30. Additionally, both the FCC and IC prohibit the use of external vehicle-mounted antennas for mobile and portable stations in this band.

Fixed stations may use antennas with higher gain in Band 30 due to relaxed EIRP limits. EM7455 modules used as fixed subscriber stations in Canada or fixed customer premises equipment (CPE) stations in the United States may have an antenna gain up to 10 dBi in Band 30, however, the use of outdoor antennas or outdoor station installations are prohibited except if professionally installed in locations that are at least 20 meters from roadways or in locations where it can be shown that the ground power level of -44 dBm per 5 MHz in the bands 2305–2315 MHz and 2350–2360 MHz or -55 dBm per 5 MHz in the bands 2315–2320 MHz and 2345–2350 MHz will not be exceeded at the nearest roadway. For the purposes of this notice, a roadway includes a highway, street, avenue, parkway, driveway, square, place, bridge, viaduct or trestle, any part of which is intended for use by the general public for the passage of vehicles.

Mobile carriers often have limits on total radiated power (TRP), which requires an efficient antenna. The end product with an embedded module must output sufficient power to meet the TRP requirement but not too much to exceed FCC/IC's EIRP limit. If you need assistance in meeting this requirement, please contact Sierra Wireless.

3. The EM7455 module may transmit simultaneously with other collocated radio transmitters within a host device, provided the following conditions are met:
  - Each collocated radio transmitter has been certified by FCC/IC for mobile application.
  - At least 20 cm separation distance between the antennas of the collocated transmitters and the user's body must be maintained at all times.
  - The output power and antenna gain in a collocated configuration must not exceed the limits and configurations stipulated in [Table 8-2 on page 62](#).

**Table 8-2: Collocated Radio Transmitter Specifications**

Device	Technology	Frequency (MHz)	EIRP Limit (dBm)
Collocated transmitters <sup>a</sup>	WLAN	2400–2500	25
		5150–5850	27
	WiMAX	2300–2400	25
		2500–2700	25
		3300–3800	25
	BT	2400–2500	15

a. Valid collocated transmitter combinations: WLAN+BT; WiMAX+BT. (WLAN+WiMAX+BT is not permitted.)

4. A label must be affixed to the outside of the end product into which the EM7455 module is incorporated, with a statement similar to the following:
  - **This device contains FCC ID: N7NEM7455**  
**Contains transmitter module IC: 2417C-EM7455 where 2417C-EM7455 is the module's certification number.**

5. A user manual with the end product must clearly indicate the operating requirements and conditions that must be observed to ensure compliance with current FCC/IC RF exposure guidelines.

The end product with an embedded EM7455 module may also need to pass the FCC Part 15 unintentional emission testing requirements and be properly authorized per FCC Part 15.

**Note:** If this module is intended for use in a portable device, you are responsible for separate approval to satisfy the SAR requirements of FCC Part 2.1093 and IC RSS-102.

## **ANATEL (Brazil)**

The EM7455 module has been approved by ANATEL in Brazil.



## ➤ A: Audio Support

The EM7455 host I/O connector provides pins to support PCM or I2S audio interfaces as listed in [Table A-1](#).

**Table A-1: Host interface (67-pin) Connections — Module View<sup>a</sup>**

Pin	Signal name	Pin type <sup>b</sup>	Description	Direction to module	Active state	Voltage levels (V)		
						Min	Typ	Max
20	PCM_CLK / I2S_CLK <sup>c</sup>	-	(PCM_CLK) PCM Clock	Input	High	1.17	1.80	2.10
					Low	-0.30		0.63
			(I2S_CLK) I2S Clock	Output	High	1.35	1.80	1.90
					Low	0		0.45
22	PCM_DIN / I2S DIN	-	PCM Data In/ I2S Data In	Input	High	1.17	1.80	2.10
					Low	-0.30		0.63
24	PCM_DOUT / I2S DOUT	-	PCM Data Out/ I2S Data Out	Output	High	1.35	1.80	1.90
					Low	0		0.45
28	PCM_SYNC / I2S_WS <sup>c</sup>	-	(PCM_SYNC) PCM Sync	Input	High	1.17	1.80	2.10
					Low	-0.30		0.63
			(I2S_WS) I2S Word Select	Output	High	1.35	1.80	1.90
					Low	0		0.45
56	I2C_DATA <sup>d</sup>	-	I <sup>2</sup> C serial bus data (for external codec)	Input	High	1.17	1.80	2.10
					Low	-0.30		0.63
				Output	High	1.35	1.80	1.90
					Low	0		0.45
58	I2C_CLK <sup>d</sup>	-	I <sup>2</sup> C serial bus clock (for external codec)	Input	High	1.17	1.80	2.10
					Low	-0.30		0.63
				Output	High	1.35	1.80	1.90
					Low	0		0.45

a. The host should leave all 'NC' ('no connect') pins unconnected.

b. I—Input; O—Digital output; OC—Open Collector output; PU—Digital input (internal pull up); PD—Digital input (internal pull down); V—Power or ground

c. Functions as input when in PCM slave mode. Otherwise, functions as output in either PCM or I2S master mode.

d. Keep this pin NC when not used (I<sup>2</sup>C function is not needed).



## PCM/I2S Audio Interface

The module implements a PCM/I<sup>2</sup>S digital audio interface using a dedicated serial link for digital audio data; all other signals, such as subcoding and control, are transmitted separately. Default setting is PCM slave mode, but this can be switched, using AT commands, to PCM master mode, I<sup>2</sup>S master mode, or I<sup>2</sup>S slave mode.

PCM/I<sup>2</sup>S signals are summarized in the following table.

**Table A-2: PCM/I2S Interface Signals**

Signal name	Pin	Description
PCM_CLK/I2S_CLK	20	PCM Clock/I2S Clock
PCM_DIN/I2S_DIN	22	PCM Data In/I2S Data In
PCM_DOUT/I2S_DOUT	24	PCM Data Out/I2S Data Out
PCM_SYNC/I2S_WS	28	PCM Sync/I2S Word Select

### PCM

The PCM interface supports the following features:

- Either master mode or slave mode
- Auxiliary PCM
- 8k and 16k sampling rates
- Linear,  $\mu$ -law and A-law formats
- Padding setting (enable or disable)
- 8, 16, 32, 64, 128, and 256 bits per frame
- Bit frequency (sample rate \* bits per frame)

The following figures and table illustrate PCM signals timing.

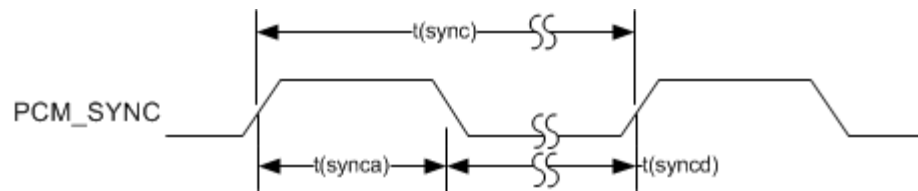


Figure A-1: PCM\_SYNC Timing

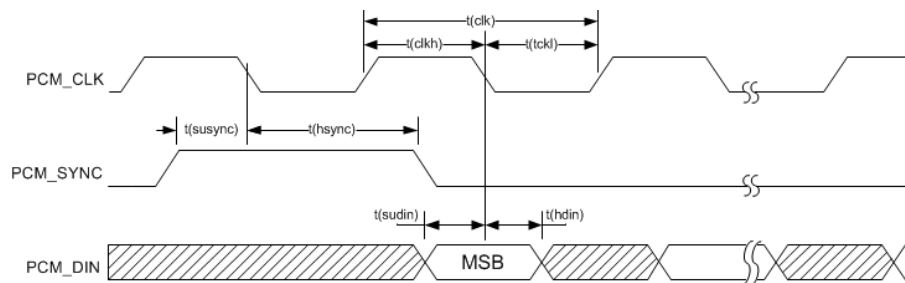


Figure A-2: PCM Codec to Module Timing

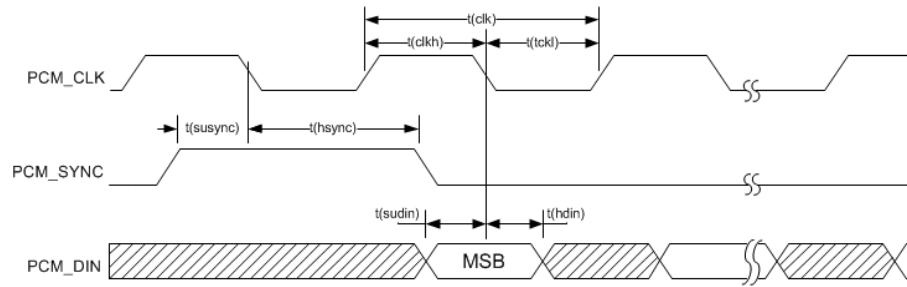


Figure A-3: Module to PCM Codec Timing

**Table A-3: PCM Timing<sup>a</sup>**

Parameter	Description	Min	Typ	Max	Units
<b>T(sync)</b>	PCM_FS cycle time	-	125	-	us
<b>T(sync<sub>h</sub>)</b>	PCM_FS high time	-	488	-	ns
<b>T(sync<sub>l</sub>)</b>	PCM_FS low time	-	124.5	-	us
<b>T(clk)</b>	PCM_CLK cycle time	-	488	-	ns
<b>T(clk<sub>h</sub>)</b>	PCM_CLK high time	-	244	-	ns
<b>T(clk<sub>l</sub>)</b>	PCM_CLK low time	-	244	-	ns
<b>T(sync<sub>offset</sub>)</b>	PCM_SYNC offset time to PCM_CLK falling	-	122	-	ns
<b>T(sudin)</b>	PCM_DIN setup time before falling edge of PCM_CLK	60	-	-	ns
<b>T(hdin)</b>	PCM_DIN hold time after falling edge of PCM_CLK	60	-	-	ns
<b>T(pdout)</b>	Delay from PCM_CLK rising to PCM_DOUT valid	-	-	60	ns
<b>T(zdout)</b>	Delay from PCM_CLK falling to PCM_DOUT HIGH-Z	-	-	60	ns

a. Maximum PCM clock rate is 2.048 MHz.

## I<sup>2</sup>S

The I<sup>2</sup>S interface can be used to transfer serial digital audio to or from an external stereo DAC/ADC and supports the following features:

- Master mode only (follows Philips I<sup>2</sup>S bus specifications for timing)
- 48K sampling rate
- 16 bits per channel
- 1536 kHz bit clock

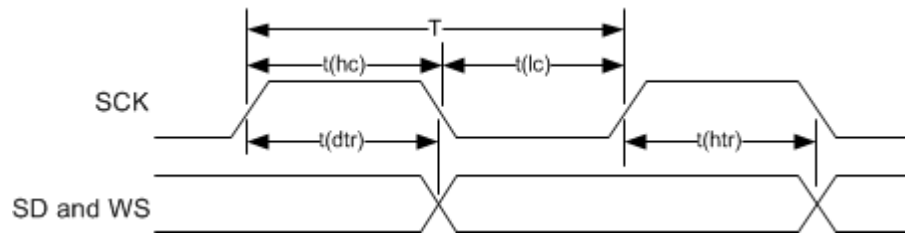


Figure A-4: I<sup>2</sup>S Transmitter Timing Diagram

**Table A-4: Master Transmitter with Data Rate = 3.072 MHz ( $\pm 10\%$ )<sup>a</sup>**

Parameter	Description	Condition	Min	Typ	Max	Units
<b>T</b>	Clock period	I <sup>2</sup> S requirement: min $T=293$	293	326	359	ns
<b>t(hc)</b>	Clock high	I <sup>2</sup> S requirement: min $> 0.35T$	120	-	-	ns
<b>t(lc)</b>	Clock low	I <sup>2</sup> S requirement: min $> 0.35T$	120	-	-	ns
<b>t(dtr)</b>	Delay	I <sup>2</sup> S requirement: max $< 0.8T$	-	-	250	ns
<b>t(htr)</b>	Hold time	I <sup>2</sup> S requirement: min $> 0$	100	-	-	ns

a. maximum sample rate = 48 KHz at 3.072 MHz (32 bits per sample)

## >> B: Antenna Specification

This appendix describes recommended electrical performance criteria for main path, diversity path, and GNSS antennas used with AirPrime embedded modules.

The performance specifications described in this section are valid while antennas are mounted in the host device with antenna feed cables routed in their final application configuration.

---

*Note: Antennas should be designed **before** the industrial design is finished to make sure that the best antennas can be developed*

---

### Recommended Main/Diversity Antenna Specifications

Table B-1: Antenna Requirements <sup>a</sup>

Parameter	Requirements	Comments
Antenna system	(LTE) External multi-band 2x2 MIMO antenna system (Ant1/Ant2) <sup>b</sup> (3G) External multi-band antenna system with diversity (Ant1/Ant2) <sup>c</sup>	If Ant2 includes GNSS, then it must also satisfy requirements in <a href="#">Table B-2 on page 70</a> .
Operating bands — Antenna 1	669–960 MHz	
	1710–1995 MHz	
	2110–2170 MHz	
	2300–2690 MHz	
Operating bands — Antenna 2	717–960 MHz	
	1805–1995 MHz	
	2110–2170 MHz	
	2350–2690 MHz	
VSWR of Ant1 and Ant2	<ul style="list-style-type: none"> <li>&lt; 2:1 (recommended)</li> <li>&lt; 3:1 (worst case)</li> </ul>	On all bands including band edges

**Table B-1: Antenna Requirements (Continued)<sup>a</sup>**

Parameter	Requirements	Comments
<b>Total radiated efficiency of Ant1 and Ant2</b>	> 50% on all bands	<ul style="list-style-type: none"> <li>Measured at the RF connector.</li> <li>Includes mismatch losses, losses in the matching circuit, and antenna losses, excluding cable loss.</li> <li>Sierra Wireless recommends using antenna efficiency as the primary parameter for evaluating the antenna system. Peak gain is not a good indication of antenna performance when integrated with a host device (the antenna does not provide omni-directional gain patterns). Peak gain can be affected by antenna size, location, design type, etc.—the antenna gain patterns remain fixed unless one or more of these parameters change.</li> </ul>
<b>Radiation patterns of Ant1 and Ant2</b>	Nominally Omni-directional radiation pattern in azimuth plane.	
<b>Envelope correlation coefficient between Ant1 and Ant2</b>	<ul style="list-style-type: none"> <li>&lt; 0.4 on low Rx bands (up to 1500 MHz)</li> <li>&lt; 0.2 on high Rx bands (over 1500 MHz)</li> </ul>	
<b>Mean Effective Gain of Ant1 and Ant2 (MEG1, MEG2)</b>	≥ -3 dBi	
<b>Ant1 and Ant2 Mean Effective Gain Imbalance I MEG1 / MEG2 I</b>	< 2 dB for MIMO operation < 6 dB for diversity operation	
<b>Maximum antenna gain</b>	Must not exceed antenna gains due to RF exposure and ERP/EIRP limits, as listed in the module's FCC grant.	See <a href="#">Important Compliance Information for North American Users on page 61</a> .
<b>Isolation between Ant1 and Ant2 (S21)</b>	> 10 dB	<ul style="list-style-type: none"> <li>If antennas can be moved, test all positions for both antennas.</li> <li>Make sure all other wireless devices (Bluetooth or WLAN antennas, etc.) are turned OFF to avoid interference.</li> </ul>
<b>Power handling</b>	<ul style="list-style-type: none"> <li>&gt; 2 W RF power on low bands</li> <li>&gt; 1 W on high bands</li> </ul>	<ul style="list-style-type: none"> <li>Measure power endurance over 4 hours (estimated talk time) using a 2 W CW signal—set the CW test signal frequency to the middle of the PCS Tx band (1880 MHz for PCS).</li> <li>Visually inspect device to ensure there is no damage to the antenna structure and matching components.</li> <li>VSWR/TIS/TRP measurements taken before and after this test must show similar results.</li> </ul>

- a. These worst-case VSWR figures for the transmitter bands may not guarantee RSE levels to be within regulatory limits. The device alone meets all regulatory emissions limits when tested into a cabled (conducted) 50 ohm system. With antenna designs with up to 2.5:1 VSWR or worse, the radiated emissions could exceed limits. The antenna system may need to be tuned in order to meet the RSE limits as the complex match between the module and antenna can cause unwanted levels of emissions. Tuning may include antenna pattern changes, phase/delay adjustment, passive component matching. Examples of the application test limits would be included in FCC Part 22, Part 24 and Part 27, test case 4.2.2 for WCDMA (ETSI EN 301 908-1), where applicable.
- b. Ant1—Primary, Ant2—Secondary (Diversity/MIMO/GNSS)
- c. Ant1—Primary, Ant2—Secondary (Diversity/GNSS)

## Recommended GNSS Antenna Specifications

**Table B-2: GNSS Antenna Requirements**

Parameter	Requirements	Comments
<b>Frequency range</b>	<ul style="list-style-type: none"> <li>• Wide-band GNSS: 1560–1606 MHz recommended</li> <li>• Narrow-band GPS: 1575.42 MHz <math>\pm</math>2 MHz minimum</li> <li>• Narrow-band Galileo: 1575.42 MHz <math>\pm</math>2 MHz minimum</li> <li>• Narrow-band BeiDou: 1561.098 MHz <math>\pm</math>2 MHz minimum</li> <li>• Narrow-band GLONASS: 1601.72 MHz <math>\pm</math>4.2 MHz minimum</li> </ul>	
<b>Field of view (FOV)</b>	<ul style="list-style-type: none"> <li>• Omni-directional in azimuth</li> <li>• <math>-45^\circ</math> to <math>+90^\circ</math> in elevation</li> </ul>	
<b>Polarization (average Gv/Gh)</b>	> 0 dB	Vertical linear polarization is sufficient.
<b>Free space average gain (Gv+Gh) over FOV</b>	> -6 dBi (preferably > -3 dBi)	Gv and Gh are measured and averaged over $-45^\circ$ to $+90^\circ$ in elevation, and $\pm 180^\circ$ in azimuth.
<b>Gain</b>	<ul style="list-style-type: none"> <li>• Maximum gain and uniform coverage in the high elevation angle and zenith.</li> <li>• Gain in azimuth plane is not desired.</li> </ul>	
<b>Average 3D gain</b>	> -5 dBi	
<b>Isolation between GNSS and Ant1</b>	> 10 dB in all uplink bands	
<b>Typical VSWR</b>	< 2.5:1	
<b>Polarization</b>	Any other than LHCP (left-hand circular polarized) is acceptable.	

---

## Antenna Tests

The following guidelines apply to the requirements described in [Table B-1 on page 68](#) and [Table B-2 on page 70](#):

- Perform electrical measurements at room temperature (+20°C to +26°C) unless otherwise specified
- For main and diversity path antennas, make sure the antennas (including contact device, coaxial cable, connectors, and matching circuit with no more than six components, if required) have nominal impedances of 50  $\Omega$  across supported frequency bands.
- All tests (except isolation/correlation coefficient)—Test the main or diversity antenna with the other antenna terminated.
- Any metallic part of the antenna system that is exposed to the outside environment needs to meet the electrostatic discharge tests per IEC61000-4-2 (conducted discharge +8kV).
- The functional requirements of the antenna system are tested and verified while the embedded module's antenna is integrated in the host device.

---

*Note: Additional testing, including active performance tests, mechanical, and accelerated life tests can be discussed with Sierra Wireless' engineering services. Contact your Sierra Wireless representative for assistance.*

---

## >> C: Design Checklist

This chapter provides a summary of the design considerations mentioned throughout this guide. This includes items relating to the power interface, RF integration, thermal considerations, cabling issues, and so on.

*Note: This is NOT an exhaustive list of design considerations. It is expected that you will employ good design practices and engineering principles in your integration.*

**Table C-1: Hardware Integration Design Considerations**

Suggestion	Section where discussed
<b>Component placement</b>	
If an ESD suppressor is not used on the host device, allow space on the SIM connector for series resistors in layout. (Up to 100 $\Omega$ may be used depending on ESD testing requirements).	<a href="#">SIM Implementation on page 30</a>
Minimize RF cable losses as these affect performance values listed in product specification documents.	<a href="#">RF Connections on page 36</a>
<b>Antennas</b>	
Match the module/antenna coax connections to 50 $\Omega$ —mismatched antenna impedance and cable loss negatively affect RF performance.	<a href="#">RF Connections on page 36</a>
If installing UMTS and CDMA modules in the same device, consider using separate antennas for maximum performance.	<a href="#">Antenna and Cabling on page 37</a>
<b>Power</b>	
Make sure the power supply can handle the maximum current specified for the module type.	<a href="#">Power Consumption on page 46</a>
Limit the total impedance of VCC and GND connections to the SIM at the connector to less than 1 $\Omega$ (including any trace impedance and lumped element components—inductors, filters, etc.). All other lines must have a trace impedance less than 2 $\Omega$ .	<a href="#">SIM Implementation on page 30</a>
Decouple the VCC line close to the SIM socket. The longer the trace length (impedance) from socket to module, the greater the capacitance requirement to meet compliance tests.	<a href="#">SIM Implementation on page 30</a>
<b>PCB signal routing</b>	
USB 2.0/3.0—Route these signals over 90 $\Omega$ differential lines on the PCB.	
I2C port—If supported, route these signals away from noise-sensitive signals on the PCB.	
PCM port—If supported, route these signals away from noise-sensitive signals on the PCB.	
<b>EMI/ESD</b>	
Investigate sources of localized interference early in the design cycle.	<a href="#">Methods to Mitigate Decreased Rx Performance on page 39</a>



**Table C-1: Hardware Integration Design Considerations (Continued)**

<b>Suggestion</b>	<b>Section where discussed</b>
Provide ESD protection for the SIM connector at the exposed contact point (in particular, the CLK, VCC, IO, and RESET# lines).	<a href="#">SIM Implementation on page 30</a>
Keep very low capacitance traces on the UIM_DATA and UIM_CLK signals.	<a href="#">SIM Implementation on page 30</a>
To minimize noise leakage, establish a very good ground connection between the module and host.	<a href="#">Ground Connection on page 38</a>
Route cables away from noise sources (for example, power supplies, LCD assemblies, etc.).	<a href="#">Methods to Mitigate Decreased Rx Performance on page 39</a>
Shield high RF-emitting components of the host device (for example, main processor, parallel bus, etc.).	<a href="#">Methods to Mitigate Decreased Rx Performance on page 39</a>
Use discrete filtering on low frequency lines to filter out unwanted high-order harmonic energy.	<a href="#">Methods to Mitigate Decreased Rx Performance on page 39</a>
Use multi-layer PCBs to form shielding layers around high-speed clock traces.	<a href="#">Methods to Mitigate Decreased Rx Performance on page 39</a>
<b>Thermal</b>	
Test to worst case operating conditions—temperature, voltage, and operation mode (transmitter on 100% duty cycle, maximum power).	<a href="#">Thermal Considerations on page 58</a>
Use appropriate techniques to reduce module temperatures (for example, airflow, heat sinks, heat-relief tape, module placement, etc.).	<a href="#">Thermal Considerations on page 58</a>
<b>Host/Modem communication</b>	
Make sure the host USB driver supports remote wakeup, resume, and suspend operations, and serial port emulation.	<i>[4] AirCard/AirPrime USB Driver Developer's Guide (Doc# 2130634)</i>
When no valid data is being sent, do not send SOF tokens from the host (causes unnecessary power consumption).	<i>[4] AirCard/AirPrime USB Driver Developer's Guide (Doc# 2130634)</i>

## >> | D: Testing

---

*Note: All AirPrime embedded modules are factory-tested to ensure they conform to published product specifications.*

---

Developers of OEM devices integrating Sierra Wireless AirPrime embedded modules should include a series of test phases in their manufacturing process to make sure that *their* devices work properly with the embedded modules.

Suggested phases include:

- [Acceptance Testing](#)—Testing of modules when they are received from Sierra Wireless
- [Certification Testing](#)—Testing of completed devices to obtain required certifications before beginning mass production
- [Production Testing](#)—Testing of completed devices with the modules embedded
- [Quality Assurance Testing](#)—Post-production

### AT Command Entry Timing Requirement

Some AT commands require time to process before additional commands are entered. For example, the modem will return “OK” when it receives `AT!DAFTMACT`. However, if `AT!DASBAND` is received too soon after this, the modem will return an error.

When building automated test scripts, ensure that sufficient delays are embedded where necessary to avoid these errors.

### Acceptance Testing

---

*Note: Acceptance testing is typically performed for **each** shipment received.*

---

When you receive a shipment from Sierra Wireless, you should make sure it is suitable before beginning production.

From a random sampling of units, test that:

- Units are operational
- Units are loaded with the correct firmware version

### Acceptance Test Requirements

To perform the suggested tests, you require a test system in which to temporarily install the module, and you must be able to observe the test device’s LED indicator.

## Acceptance Test Procedure

The following is a suggested acceptance testing procedure using Sierra Wireless' Skylight™ software:

---

*Note: You can perform these tests using appropriate AT commands.*

---

### Test 1: Check Power-up and Initialization

1. After installing the module, start the test system.
2. Launch Skylight.
3. Check the LED—If the LED is off, there is a problem with the module or with the connection to the LED.

### Test 2: Check Version Numbers

1. From Skylight, select **Help > About**.
2. Verify that the firmware version in the **About** window is correct.
3. Close the **About** window.

If the module fails either of these tests, or is not recognized by Skylight:

1. Replace the module with one that is known to work correctly and repeat the tests.
2. If the tests are successful, reinstall the original module and repeat the tests.

If the module still does not work correctly, contact your account manager.

## Certification Testing

---

*Note: Typically, certification testing of your device with the integrated module is required one time only.*

---

The AirPrime embedded module has been certified as described in [Regulatory Compliance and Industry Certifications on page 60](#).

When you produce a host device with a Sierra Wireless AirPrime embedded module, you must obtain certifications for the final product from appropriate regulatory bodies in the jurisdictions where it will be distributed.

The following are *some* of the regulatory bodies from which you may require certification—it is your responsibility to make sure that you obtain all necessary certifications for your product from these or other groups:

- FCC (Federal Communications Commission—[www.fcc.gov](http://www.fcc.gov))
- Industry Canada ([www.ic.gc.ca](http://www.ic.gc.ca))
- GCF (Global Certification Forum—[www.globalcertificationforum.org](http://www.globalcertificationforum.org)) outside of North America
- PTCRB (PCS Type Certification Review Board—[www.ptcrb.com](http://www.ptcrb.com)) in North America

## Production Testing

---

*Note: Production testing typically continues for the life of the product.*

---

Production testing ensures that, for each assembled device, the module is installed correctly (I/O signals are passed between the host and module), and the antenna is connected and performing to specifications (RF tests).

Typical items to test include:

- Host connectivity
- Baseband (host/module connectors)
- RF assembly (Tx and/or Rx, as appropriate)
- Network availability
- Host/device configuration issues

---

*Note: The number and types of tests to perform are **your** decision—the tests listed in this section are guidelines only. Make sure that the tests you perform exercise functionality to the degree that **your** situation requires.*

---

Use an appropriate test station for your testing environment (see [Acceptance Test Requirements on page 74](#) for suggestions) and use AT commands to control the integrated module.

---

*Note: Your test location must be protected from ESD to avoid interference with the module and antenna(s), assuming that your test computer is in a disassembled state. Also, consider using an RF shielding box—local government regulations may prohibit unauthorized transmissions.*

---

## Functional Production Test

This section presents a suggested procedure for performing a basic manual functional test on a laboratory bench using an EM7455 Embedded Module and a hardware development kit. When you have become familiar with the testing method, use it to develop your own automated production testing procedures.

### Suggested Production Tests

Consider the following tests when you design your production test procedures for devices with the AirPrime module installed.

- Visual check of the module's connectors and RF assemblies
- Module is operational
- USB connection is functional
- LED is functional
- Power on/off
- Firmware revision check
- Rx tests on main and auxiliary paths
- Tx test

## Production Test Procedure

The following is a suggested test plan—you must decide which tests are appropriate for your product. You may wish to add additional tests that more fully exercise the capabilities of your product.

Using an appropriate Dev Kit-based test station, and referring to the appropriate AT command references:

1. Visually inspect the module's connectors and RF assemblies for obvious defects before installing it in the test station.
2. Ensure that the module is turned off before beginning your tests—Drive Full\_Card\_Power\_Off# low or leave floating.
3. If using Linux, determine if any USB devices are currently connected to the computer:
  - a. Open a shell window and enter the command `ls /dev/tty/USB*`.
  - b. Record the `ttyUSBn` values that are returned; these are the currently connected USB devices. If the command returns “no such file or directory”, there are no devices currently connected.
4. Test Full\_Card\_Power\_Off#—Turn on the module by driving Full\_Card\_Power\_Off# high.
5. Test USB functionality—Check for USB enumeration.
  - (Windows systems) The Device Manager shows the device under Network adapters. For example:



- (Linux systems) Enter the command `ls /dev/tty/USB*` and then record and compare the results with those from [Step 3](#). If there are any new `ttyUSBn` devices, then the modem has enumerated successfully. (The AT port is the *last* new device.)
6. Make sure your modem is connected and running, and then establish contact with the module:
    - Windows systems: Use a terminal emulation/communications program such as Microsoft HyperTerminal<sup>®</sup> to connect to the Sierra Wireless modem (see listings in [Step 5](#)):
      - a. Start HyperTerminal.
      - b. Select **File > Connection Description**. The Connection Description dialog box appears.
        - i. Type Sierra in the Name box and click **OK**. The Connect To dialog box appears.
        - ii. Click **OK** without changing any of the displayed information. The Connect dialog box appears.
        - iii. Click **Cancel**.

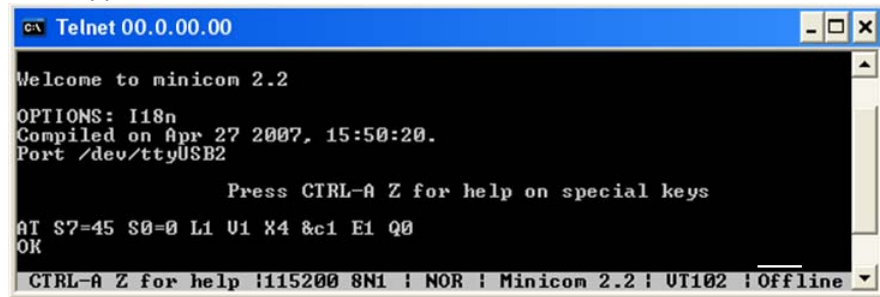
*Note: If necessary, use **ATE1** to enable echo.*

*Note: If the command “minicom” is not found, then use a different program, or download minicom and repeat this step. See [Downloading and Configuring minicom for Linux Systems on page 79](#) for details.*

- iv. Type ATZ in the HyperTerminal window. If the connection is established, the message OK appears.
- Linux systems: Use a terminal emulation/communications program such as minicom to connect over the device handle for AT commands (see listings in [Step 5](#)):

- i. Start minicom:
  - First use of the modem: From the command line, type minicom -s. (The ‘-s’ switch shows the configuration menu.)
  - Subsequent uses: From the command line, type minicom. (The ‘-s’ switch is assumed.)

The minicom configuration details appear and the message OK appears when the connection is established.



7. Display the firmware version:
  - AT+GMR
8. Test the LED—Set the LED in blinking mode using this command, then visually verify that the LED turns off and on:
  - AT!LDTEST=0,0 (LED on)
  - AT!LDTEST=0,1 (LED off)
9. Unlock the extended AT command set. (Note: Use AT!ENTERCND? to check command syntax, which is SKU-dependent.):
  - AT!ENTERCND="<password>"
10. Put the module in diagnostic/factory test mode:
  - AT!DAFTMACT
11. Communicate with the SIM using +CPIN or +CIMI.  
When performing RF tests, use a test platform as described in [Suggested Testing Equipment on page 88](#).
12. Test RF transmission, if desired:
  - (UMTS) See [UMTS \(WCDMA\) RF Transmission Path Test on page 79](#).
  - (LTE) See [LTE RF Transmission Path Test on page 81](#).
13. Test RF reception, if desired:
  - (UMTS) See [UMTS \(WCDMA\) RF Receive Path Test on page 83](#).
  - (LTE) See [LTE RF Receive Path Test on page 85](#).
14. Test standalone GNSS functionality—See [GNSS RF Receive Path Test on page 87](#).
15. Drive Full\_Card\_Power\_Off# low (or leave floating) and confirm that the module powers down:
  - Windows systems—The Sierra Wireless items under the Ports (COM & LPT) entry in Device Manager disappear as the module powers off.

- Linux systems—Enter the command `ls /dev/tty/USB*`. The devices enumerated in [Step 5](#) will not appear after the module powers off.

## Downloading and Configuring minicom for Linux Systems

*Note: This procedure is for Ubuntu systems. If you are using a different Linux distribution, use the appropriate commands for your system to download minicom.*

To download and configure minicom in a Ubuntu system:

*Note: To install minicom, you must have root access, or be included in the sudoers list.*

1. Download and install minicom—enter the following command:  
`sudo apt-get install minicom`
2. When prompted, enter your user password to begin the download and installation. When minicom is installed, the shell prompt appears.
3. Configure minicom to communicate with your modem:
  - a. Start minicom with the following command:  
`minicom -s`
4. Use the down-arrow key to select the **Serial port setup** option.
5. Refer to [Step 5](#) on page 77 to identify the device file handle (`/dev/ttyUSBn`) used for AT commands.
6. Indicate the file handle to use for AT commands—Enter A and then replace the serial device string with the AT file handle.
7. Press **Enter** twice.
8. Use the down-arrow key to select **Save setup as dfi**.
9. Select **Exit**.

## UMTS (WCDMA) RF Transmission Path Test

*Note: This procedure segment is performed in [Step 12](#) of the [Production Test Procedure on page 77](#).*

The suggested test procedure that follows uses the parameters in [Table D-1](#).

**Table D-1: Test Settings—UMTS Transmission Path**

	Band	Band ID	Tx Channel <sup>a</sup>
2100 MHz	Band 1	9	9750
1900 MHz	Band 2	15 <sup>b</sup>	9400
1800 MHz	Band 3	25	1112
1700 MHz	Band 4	28	1412

**Table D-1: Test Settings—UMTS Transmission Path (Continued)**

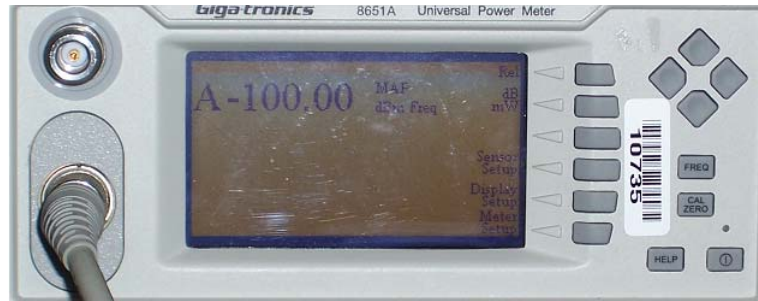
	Band	Band ID	Tx Channel <sup>a</sup>
850 MHz	Band 5	22	4182
900 MHz	Band 8	29	2787

- a. Channel values shown are at the center of the corresponding bands.
- b. Either 15 (WCDMA1900A) or 16 (WCDMA1900B) may be used for testing.

To test the DUT's transmitter path:

*Note: This procedure describes steps using the "Power Meter: Gigatronics 8651A" (with Option 12 and Power Sensor 80701A).*

**1. Set up the power meter:**



- a. Make sure the meter has been given sufficient time to warm up, if necessary, to enable it to take accurate measurements.
  - b. Zero-calibrate the meter.
  - c. Enable MAP mode.
- 2. Prepare the DUT using the following AT commands:**
- a. `AT+ENTERCND=<password>` (Unlock extended AT command set.)
  - b. `AT+DAFTMACT` (Enter test mode.)
  - c. `AT+DASBAND=<bandValue>` (Set frequency band.)
    - See [Table D-1 on page 79](#) for appropriate <bandValue> values
  - d. `AT+DASCHAN=<channel>` (Set modem channel)
    - See [Table D-1 on page 79](#) for appropriate <channel> values
  - e. `AT+DASTXON` (Turns on the transmit path.)
  - f. `AT+DAWSTXCW=0` (Use a modulated carrier.)
  - g. `AT+DAWSTXPWR=1,10` (Set the power level.)
  - h. Take the measurement.
  - i. Repeat steps g–h with different Tx power levels if desired.
  - j. `AT+DASTXOFF` (Turn off the transmitter.)
- 3. Test limits—Run ten or more good DUTs through this test procedure to obtain a nominal output power value.**
- Apply a tolerance of  $\pm 5$  to 6 dB to each measurement (assuming a good setup design).
  - Monitor these limits during mass-production ramp-up to determine if further adjustments are needed.



---

*Note: The module has a nominal output power of +23 dBm  $\pm$ 1 dB in WCDMA mode. However, the value measured by the power meter is significantly influenced (beyond the stated  $\pm$ 1 dB output power tolerance) by the test setup (host RF cabling loss, antenna efficiency and pattern, test antenna efficiency and pattern, and choice of shield box).*

---

*Note: When doing the same test over the air in an RF chamber, values are likely to be significantly lower.*

---

## LTE RF Transmission Path Test

---

*Note: This procedure segment is performed in [Step 12](#) of the [Production Test Procedure](#) on page 77.*

---

The suggested test procedure that follows uses the parameters in [Table D-2](#).

**Table D-2: Test Settings — LTE Transmission Path**

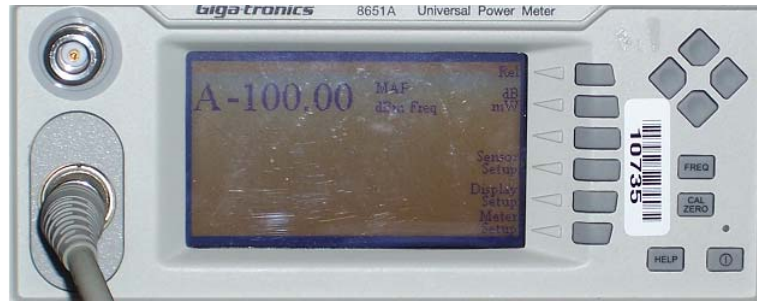
	Band #	Frequency (MHz)	Band ID	Channel <sup>a</sup>
1900 MHz	B2	1880.0	43	18900
1700 MHz	B4	1732.5	42	20175
700 MHz	B12	707.5	50	23095
700 MHz	B13	782.0	36	23230
800 MHz	B20	847.0	56	24300
1900 MHz	B25	1882.5	61	26365
850 MHz	B26	831.5	62	26865
2300 MHz	B30	2310.0	66	27710
2500 MHz	B41	2593.0	76	40620

a. Channel value used by the !DASCHAN command (!DASCHAN uses uplink (Tx) channel at the center of the corresponding band (rounded down), for both Tx and Rx testing).

*Note: This procedure describes steps using the "Power Meter: Gigatronics 8651A" (with Option 12 and Power Sensor 80701A).*

To test the DUT's transmitter path:

1. Set up the power meter:



- a. Make sure the meter has been given sufficient time to warm up, if necessary, to enable it to take accurate measurements.
  - b. Zero-calibrate the meter.
  - c. Enable MAP mode.
2. Prepare the DUT using the following AT commands:
- a. `ATIINTERCND=<password>` (Unlock extended AT command set.)
  - b. `ATIDAFTMACT` (Enter test mode.)
  - c. `ATIDASBAND=<bandValue>` (Set frequency band (e.g. 34 for LTE B1).)
    - See [Table D-2 on page 81](#) for appropriate <bandValue> values
  - d. `ATIDALSRXBW=3` (Set Rx bandwidth to 10 MHz.)
  - e. `ATIDALSTXBW=3` (Set Tx bandwidth to 10 MHz.)
  - f. `ATIDASCHAN=<channel>` (Set modem channel (e.g. 18300 for LTE B1).)
    - See [Table D-2 on page 81](#) for appropriate <channel> values
  - g. `ATIDALSTXMOD=0` (Set Tx modulation type to QPSK.)
  - h. `ATIDALSWAVEFORM=1,12,0,19` (Set the Tx waveform characteristics.)
  - i. `ATIDALSNSVAL=1` (Set the LTE NS (Net Sig) value.)
  - j. `ATIDASTXON` (Turn on the transmit path.)
  - k. `ATIDALSTXPWR=1, 10` (Set the power level.) Take the measurement.
  - l. Repeat steps k–k with different Tx power levels if desired.
  - m. `ATIDALSTXPWR=0, 0` (Disable the transmitter output.)
  - n. `ATIDASTXOFF` (Turn off the transmitter.)
3. Test limits—Run ten or more good DUTs through this test procedure to obtain a nominal output power value.
- Apply a tolerance of  $\pm 5$  to 6 dB to each measurement (assuming a good setup design).
  - Monitor these limits during mass-production ramp-up to determine if further adjustments are needed.

*Note: The module has a nominal output power of +23 dBm  $\pm 1$  dB in LTE mode. However, the value measured by the power meter is significantly influenced (beyond the stated  $\pm 1$  dB output power tolerance) by the test setup (host RF cabling loss, antenna efficiency and pattern, test antenna efficiency and pattern, and choice of shield box).*

Note: When doing the same test over the air in an RF chamber, values are likely to be significantly lower.

## UMTS (WCDMA) RF Receive Path Test

Note: This procedure segment is performed in Step 13 of Production Test Procedure on page 77.

The suggested test procedure that follows uses the parameters in Table D-3.

Table D-3: Test Settings—UMTS Receive Path

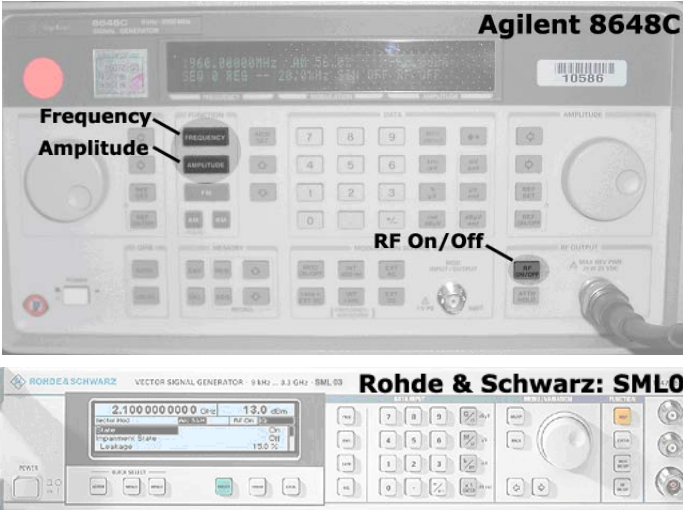
	Band #	Frequency <sup>a</sup> (MHz)	Band ID	Rx Channel <sup>b</sup>
2100 MHz	Band 1	2141.20	9	9750
1900 MHz	Band 2	1961.20	15 <sup>c</sup>	9400
1800 MHz	Band 3	1843.70	25	1112
1700 MHz	Band 4	2133.20	28	1412
850 MHz	Band 5	882.60	22	4182
900 MHz	Band 8	948.60	29	2787

- a. Receive frequencies shown are 1.2 MHz offset from center
- b. Channel values shown are at the center of the corresponding bands.
- c. Either 15 (WCDMA1900A) or 16 (WCDMA1900B) may be used for testing.

To test the DUT's receive path:

1. Set up the signal generator:

Note: This procedure describes steps using the Agilent 8648C signal generator—the Rohde & Schwarz SML03 is shown for reference only.



- a. Set the amplitude to:
    - -80 dBm
  - b. Set the frequency for the band being tested. See [Table D-3 on page 83](#) for frequency values.
2. Set up the DUT:
- a. **ATIINTERCND=<password>** (Unlock extended AT command set.)
  - b. **ATIDAFTMACT** (Put modem into factory test mode.)
  - c. **ATIDASBAND=<band>** (Set frequency band.)
    - See [Table D-3 on page 83](#) for <band> values
  - d. **ATIDASCHAN=<channel>** (Set modem channel)
    - See [Table D-3 on page 83](#) for <channel> values
  - e. **ATIDASLNAGAIN=0** (Set the LNA to maximum gain.)
  - f. **ATIDAWGAVGAGC=9400,0** (For PCS1900, channel 9400 as an example.)  
The returned value is the RSSI in dBm.
3. Test limits—Run ten or more good DUTs through this test procedure to obtain a nominal received power value.
- Apply a tolerance of  $\pm 5$  to 6 dB to each measurement (assuming a good setup design).
  - Make sure the measurement is made at a high enough level that it is not influenced by DUT-generated and ambient noise.
  - The Signal Generator power level can be adjusted and new limits found if the radiated test needs greater signal strength.
  - Monitor these limits during mass-production ramp-up to determine if further adjustments are needed.

---

*Note: The value measured from the DUT is significantly influenced by the test setup and DUT design (host RF cabling loss, antenna efficiency and pattern, test antenna efficiency and pattern, and choice of shield box).*

---

4. Test diversity paths:
- a. Set up the signal generator as in [Step 1](#).
  - b. Set up the DUT:
    - i. **ATIINTERCND=<password>** (Unlock extended AT command set.)
    - ii. **ATIDAFTMACT** (Put modem into factory test mode.)
    - iii. **ATIDASBAND=<band>** (Set frequency band.)
      - See [Table D-3 on page 83](#) for <band> values
    - iv. **ATIDAWSSCHAIN=1** (Enable the secondary chain.)
    - v. **ATIDASCHAN=<channel>** (Set modem channel)
      - See [Table D-3 on page 83](#) for <channel> values
    - vi. **ATIDASLNAGAIN=0** (Set the LNA to maximum gain.)
    - vii. **ATIDAWGAVGAGC=9400,0,1** ('1' indicates the diversity path is used.)
  - c. Test the limits as in [Step 3](#).

---

*Note: Setup of the DUT is the same as in [Step 2](#), except for a change to **ATIDAWGAVGAGC** and the addition of **ATIDAWSSCHAIN**.*

---

## LTE RF Receive Path Test

*Note: This procedure segment is performed in Step 13 of the Production Test Procedure on page 77.*

The suggested test procedure that follows uses the parameters in Table D-4.

**Table D-4: Test Settings—LTE Receive Path**

	Band #	Frequency <sup>a</sup> (MHz)	Band ID	Rx Channel <sup>b</sup>
2100 MHz	Band 1	2142.00	34	18300
1900 MHz	Band 2	1962.00	43	18900
1800 MHz	Band 3	1844.50	44	19575
1700 MHz	Band 4	2134.50	42	20175
850 MHz	Band 5	883.50	45	20525
2600 MHz	Band 7	2657.00	35	21100
900 MHz	Band 8	944.50	47	21625
700 MHz	Band 12	739.50	50	23095
700 MHz	Band 13	753.00	36	23230
800 MHz	Band 20	808.00	56	24300
1900 MHz (G Block)	Band 25	1964.50	61	26365
850 MHz	Band 26	878.50	62	26865
2300 MHz	Band 30	2357.00	66	27710
2500 MHz	Band 41	2595.00	76	40620

a. Receive frequencies shown are 2 MHz offset from center

b. Channel values shown are at the center of the corresponding bands.

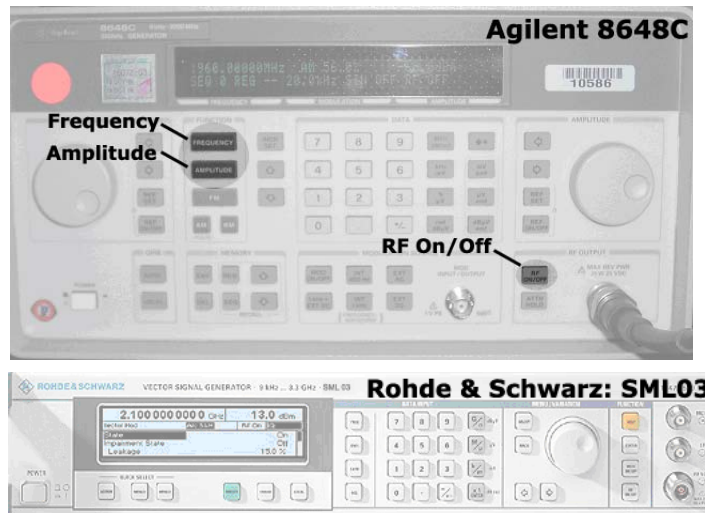
---

*Note: This procedure describes steps using the Agilent 8648C signal generator—the Rohde & Schwarz SML03 is shown for reference only.*

---

To test the DUT's receive path (or diversity path, while connected to the diversity antenna):

1. Set up the signal generator:



- a. Set the amplitude to -70 dBm
  - b. Set the frequency for the band being tested. See [Table D-4](#) for frequency values.
2. Set up the DUT:
- a. ATIENTERCND="**<password>**" (Unlock extended AT command set.)
  - b. ATIDAFTMACT (Put modem into factory test mode.)
  - c. ATIDASBAND=**<band>** (Set frequency band.)
    - See [Table D-4](#) for **<band>** values
  - d. ATIDALSRXBW=2 (Set Rx LTE bandwidth to 5MHz.)
  - e. ATIDALSTXBW=2 (Set Tx LTE bandwidth to 5MHz.)
  - f. ATIDASCHAN=**<channel>** (Set modem channel)
    - See [Table D-4](#) for **<channel>** values
  - g. ATIDALGAVGAGC=**<channel>**,0 (Get averaged Rx AGC)
    - See [Table D-4](#) for **<channel>** values
3. Test limits—Run ten or more good DUTs through this test procedure to obtain a nominal received power value.
- Apply a tolerance of  $\pm 5$  to 6 dB to each measurement (assuming a good setup design).
  - Make sure the measurement is made at a high enough level that it is not influenced by DUT-generated and ambient noise.
  - The Signal Generator power level can be adjusted and new limits found if the radiated test needs greater signal strength.
  - Monitor these limits during mass-production ramp-up to determine if further adjustments are needed.

---

*Note: The value measured from the DUT is significantly influenced by the test setup and DUT design (host RF cabling loss, antenna efficiency and pattern, test antenna efficiency and pattern, and choice of shield box).*

---

## GNSS RF Receive Path Test

The GNSS receive path uses either the dedicated GNSS connector or the shared Diversity/MIMO/GNSS connector.

To test the GNSS receive path:

1. Inject a carrier signal at -110dBm, frequency 1575.52 MHz into the GNSS Rx path at the connector. (Note that this frequency is 100 kHz higher than the actual GPS L1 center frequency.)
2. Test the signal carrier-to-noise level at the GNSS receiver:
  - a. `AT+ENTERCND=<password>` (Unlock extended AT command set.)
  - b. `AT+IDAFTMACT` (Put modem into factory test mode.)
  - c. `AT+IDACGPSTESTMODE=1` (Start CGPS diagnostic task.)
  - d. `AT+IDACGPSSTANDALONE=1` (Enter standalone RF mode.)
  - e. `AT+IDACGPSMASKON` (Enable log mask.)
  - f. `AT+IDACGPSCTON` (Return signal-to-noise and frequency measurements.)
  - g. Repeat `AT+IDACGPSCTON` five to ten times to ensure the measurements are repeatable and stable.
3. Leave the RF connection to the embedded module intact, and turn off the signal generator.
4. Take several more `IDACGPSCTON` readings. This will demonstrate a 'bad' signal in order to set limits for testing, if needed. This frequency offset should fall outside of the guidelines in the note below, which indicates that the CtoN result is invalid.
5. (Optional) Turn the signal generator on again, and reduce the level to -120dBm. Take more `IDACGPSCTON` readings and use these as a reference for what a marginal/poor signal would be.

---

*Note: The response to `AT+IDACGPSCTON` for a good connection should show CtoN within 58 +/- 5dB and Freq (frequency offset) within 100000 Hz +/- 5000 Hz .*

---

## Quality Assurance Testing

---

*Note: QA is an ongoing process based on random samples from a finished batch of devices.*

---

The quality assurance tests that you perform on your finished products should be designed to verify the performance and quality of your devices.

The following are *some* testing suggestions that can confirm that the antenna is interfaced properly, and that the RF module is calibrated and performs to specifications:

- Module registration on cellular networks
- Power consumption
- Originate and terminate data and voice (if applicable) calls
- Cell hand-off
- Transmitter and receiver tests
- FER (Frame Error Rate) as an indicator of receiver sensitivity/performance
- Channel and average power measurements to verify that the device is transmitting within product specifications
- RF sensitivity tests

- RF sensitivity testing—BER/BLER for different bands and modes
- Transmitter and receiver tests (based on relevant sections of the 3GPP TS51010 and 3GPP 34121 documents)

## Suggested Testing Equipment

To perform production and post-production tests, you will require appropriate testing equipment. A test computer can be used to coordinate testing between the integrated module (on the development kit or host) and the measurement equipment, usually with GPIB connections. The suggested setup includes a power meter to test RF output power and a signal generator to evaluate the receiver.

## Testing Assistance Provided by Sierra Wireless

Extended AT commands have been implemented to assist with performing FTA GCF tests and portions of CE Mark tests requiring radio module access. These are documented in the [2] *AirPrime EM74xx/MC74xx AT Command Reference (Doc# 4117727)*.

Sierra Wireless offers optional professional services based assistance to [OEMs](#) with regulatory approvals.

## IOT/Operator Testing

Interoperability and Operator/Carrier testing of the finished system is the responsibility of the [OEM](#). The test process will be determined with the chosen network operator(s) and will be dependent upon your business relationship with them, as well as the product's application and sales channel strategy.

Sierra Wireless offers assistance to OEMs with the testing process, if required.

## Extended AT Commands for Testing

Sierra Wireless provides the [2] *AirPrime EM74xx/MC74xx AT Command Reference (Doc# 4117727)*, which describes proprietary AT commands that may help in hardware integration design and testing (these commands are NOT intended for use by end users).

Some commands from this document that may be useful for hardware integration are listed in [Table D-5 on page 88](#).

**Table D-5: Extended AT Commands**

Command	Description
<b>Password commands</b>	
<b>!ENTERCND</b>	Enable access to password-protected commands



Table D-5: Extended AT Commands (Continued)

Command	Description
<b>!SETCND</b>	Set AT command password
<b>Modem reset and status commands</b>	
<b>!RESET</b>	Reset the modem
<b>!GSTATUS</b>	Return the operation status of the modem (mode, band, channel, and so on)
<b>Diagnostic commands</b>	
<b>!BAND</b>	Select a set of frequency bands or reports current selection
<b>Test commands</b>	
<b>!DAFTMACT</b>	Put the modem into FTM (Factory Test Mode)
<b>!DAFTMDEACT</b>	Put the modem into online mode
<b>!DALGAVGAGC</b>	Return averaged Rx AGC value (LTE)
<b>!DALGRXAGC</b>	Return Rx AGC value (LTE)
<b>!DALGTXAGC</b>	Return Tx AGC value and transmitter parameters (LTE)
<b>!DAOFFLINE</b>	Place modem offline
<b>!DASBAND</b>	Set the frequency band (UMTS)
<b>!DASCHAN</b>	Set the modem channel (frequency) (UMTS)
<b>!DASLNAGAIN</b>	Set the LNA (Low Noise Amplifier) gain state
<b>!DASPDM</b>	Set the PDM (Pulse Duration Modulation) value
<b>!DASTXOFF</b>	Turn off the Tx PA (Power Amplifier)
<b>!DASTXON</b>	Turn on the Tx PA (Power Amplifier)
<b>!DAWGAVGAGC</b>	Return averaged RX AGC value (WCDMA)
<b>!DAWGRXAGC</b>	Return the Rx AGC (Automatic Gain Control) value (UMTS)
<b>!DAWINFO</b>	Return WCDMA mode RF information
<b>!DAWSCONFIGRX</b>	Set the UMTS receiver to factory calibration settings
<b>!DAWSPARANGE</b>	Set the PA range state machine (UMTS)
<b>!DAWSCHAINTCM</b>	Place receive chain in test call mode (WCDMA)
<b>!DAWSSCHAIN</b>	Enable secondary receive chain (WCDMA)
<b>!DAWSTXCW</b>	Set the waveform used by the transmitter (UMTS)
<b>!DAWSTXPWR</b>	Set desired Tx power level (WCDMA)

## » E: Packaging

Sierra Wireless AirPrime Embedded Modules are shipped in sealed boxes. The standard packaging (see [Figure E-1](#)), contains a single tray with a capacity of 100 modules. (Note that some SKUs may have custom packaging—contact Sierra Wireless for SKU-specific details.)

In the standard packaging, Embedded Modules are inserted, system connector first, into the bottom portion (T1) of a two-part tray. All facing the same direction. This allows the top edge of each Embedded Module to contact the top of the triangular features in the top portion (T2) of the tray (see Detail A).

The top and bottom portions of the tray snap together at the four connection points.

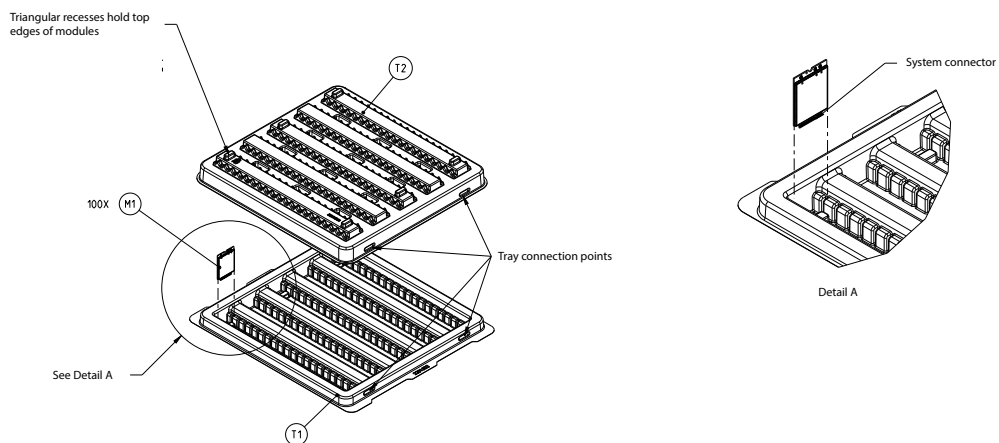


Figure E-1: Device Placement in Module Tray

The tray cover is secured to the tray base with ESD-safe tape (EP1) at the locations indicated. The tray is placed in a manufacturing box (B1), sealed with a security tape (P1), a manufacturing label (L3) is placed on the bottom-right corner, above the security tape, and if required a label (L4) is applied beside the manufacturing label. (See [Figure E-2.](#))

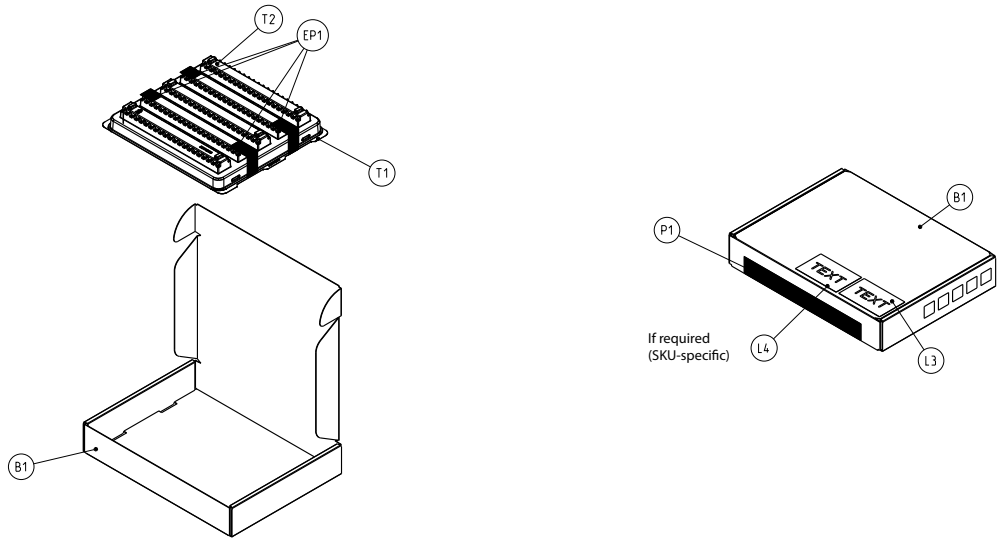


Figure E-2: Shipping Package

## >> | F: References

This guide deals specifically with hardware integration issues that are unique to AirPrime embedded modules.

### Sierra Wireless Documents

The Sierra Wireless documents listed below are available from <https://source.sierrawireless.com>. For additional documents describing embedded module design, usage, and integration issues, contact your Sierra Wireless account representative.

### Command Documents

- [1] AT Command Set for User Equipment (UE) (Release 6) (Doc# 3GPP TS 27.007)
- [2] AirPrime EM74xx/MC74xx AT Command Reference (Doc# 4117727)

### Other Sierra Documents

- [3] M.2 Dev Kit Welcome Letter (Doc# 2400323)
- [4] AirCard/AirPrime USB Driver Developer's Guide (Doc# 2130634)

### Industry/Other Documents

The following non-Sierra Wireless references are not included in your documentation package:

- [5] FCC Regulations - Part 15 - Radio Frequency Devices
- [6] IEC-61000-4-2 level 3 (Electrostatic Discharge Immunity Test)
- [7] Mobile Station (MS) Conformance Specification; Part 4: Subscriber Interface Module (Doc# 3GPP TS 11.10-4)
- [8] PCI Express NGFF (M.2) Electromechanical Specification Revision 1.0
- [9] Universal Serial Bus Specification, Rev 2.0
- [10] Universal Serial Bus Specification, Rev 3.0
- [11] JESD22-A114-B
- [12] JESD22-C101
- [13] MIPI Alliance Specification for RF Front-End Control Interface

# >> | G: LTE CA Bandwidth Support

Note: The tables in this appendix are excerpted from 3GPP TS 36.521-1 v13.0.1.

**Table G-1: LTE CA Inter-band Bandwidth Support**

Note: This table is excerpted from 3GPP TS 36.521-1 v13.0.1, Table 5.4.2A.1-2.

E-UTRA CA configuration	E-UTRA bands	1.4 [MHz]	3 [MHz]	5 [MHz]	10 [MHz]	15 [MHz]	20 [MHz]	Max aggregated BW [MHz]	Bandwidth combination set
CA_1A-8A	1			Y	Y	Y	Y	30	0
	8			Y	Y				
	1			Y	Y			20	1
	8			Y	Y				
	1			Y	Y	Y	Y	30	2
	8		Y	Y	Y				
CA_2A-5A	2			Y	Y	Y	Y	30	0
	5			Y	Y				
CA_2A-12A	2			Y	Y	Y	Y	30	0
	12			Y	Y				
	2			Y	Y	Y	Y	30	1
	12		Y	Y	Y				
CA_2A-13A	2			Y	Y	Y	Y	30	0
	13				Y				
	2			Y	Y			20	1
	13				Y				
CA_2A-29A	2			Y	Y			20	0
	29		Y	Y	Y				
	2			Y	Y			20	1
	29			Y	Y				
	2			Y	Y	Y	Y	30	2
	29			Y	Y				

**Table G-1: LTE CA Inter-band Bandwidth Support (Continued)**

*Note: This table is excerpted from 3GPP TS 36.521-1 v13.0.1, Table 5.4.2A.1-2.*

E-UTRA CA configuration	E-UTRA bands	1.4 [MHz]	3 [MHz]	5 [MHz]	10 [MHz]	15 [MHz]	20 [MHz]	Max aggregated BW [MHz]	Bandwidth combination set
CA_3A-7A	3			Y	Y	Y	Y	40	0
	7				Y	Y	Y		
CA_3A-20A	3			Y	Y	Y	Y	30	0
	20			Y	Y				
	3			Y	Y	Y	Y	40	1
	20			Y	Y	Y	Y		
CA_4A-5A	4			Y	Y			20	0
	5			Y	Y				
	4			Y	Y	Y	Y	30	1
	5			Y	Y				
CA_4A-12A	4	Y	Y	Y	Y			20	0
	12			Y	Y				
	4	Y	Y	Y	Y	Y	Y	30	1
	12			Y	Y				
	4			Y	Y	Y	Y	30	2
	12		Y	Y	Y				
	4			Y	Y			20	3
	12			Y	Y				
	4			Y	Y	Y	Y	30	4
	12			Y	Y				
CA_4A-13A	4			Y	Y	Y	Y	30	0
	13				Y				
	4			Y	Y			20	1
	13				Y				

**Table G-1: LTE CA Inter-band Bandwidth Support (Continued)**

*Note: This table is excerpted from 3GPP TS 36.521-1 v13.0.1, Table 5.4.2A.1-2.*

E-UTRA CA configuration	E-UTRA bands	1.4 [MHz]	3 [MHz]	5 [MHz]	10 [MHz]	15 [MHz]	20 [MHz]	Max aggregated BW [MHz]	Bandwidth combination set
CA_4A-29A	4			Y	Y			20	0
	29		Y	Y	Y				
	4			Y	Y			20	1
	29			Y	Y				
	4			Y	Y	Y	Y	30	2
	29			Y	Y				
CA_7A-20A	7				Y	Y	Y	30	0
	20			Y	Y				
	7				Y	Y	Y	40	1
	20			Y	Y	Y	Y		
CA_12A-30A	12			Y	Y			20	0
	30			Y	Y				

**Table G-2: LTE CA Intra-band (Contiguous) Bandwidth Support**

*Note: This table is excerpted from 3GPP TS 36.521-1 v13.0.1, Table 5.4.2A.1-1.*

E-UTRA CA configuration	Component carriers in order of increasing carrier frequency		Max aggregated BW [MHz]	Bandwidth combination set
	Channel bandwidths for carrier [MHz]	Channel bandwidths for carrier [MHz]		
CA_7C	15	15	40	0
	20	20		
	10	20	40	1
	15	15, 20		
	20	10, 15, 20		

**Table G-2: LTE CA Intra-band (Contiguous) Bandwidth Support**

*Note: This table is excerpted from 3GPP TS 36.521-1 v13.0.1, Table 5.4.2A.1-1.*

E-UTRA CA configuration	Component carriers in order of increasing carrier frequency		Max aggregated BW [MHz]	Bandwidth combination set
	Channel bandwidths for carrier [MHz]	Channel bandwidths for carrier [MHz]		
CA_41C	10	20	40	0
	15	15, 20		
	20	10, 15, 20		
	5, 10	20	40	1
	15	15, 20		
	20	5, 10, 15, 20		

**Table G-3: LTE CA Intra-band (Non-contiguous) Bandwidth Support**

*Note: This table is excerpted from 3GPP TS 36.521-1 v13.0.1, Table 5.4.2A.1-3.*

E-UTRA CA configuration	Component carriers in order of increasing carrier frequency		Max aggregated BW [MHz]	Bandwidth combination set
	Channel bandwidths for carrier [MHz]	Channel bandwidths for carrier [MHz]		
CA_2A-2A	5, 10, 15, 20	5, 10, 15, 20	40	0
CA_4A-4A	5, 10, 15, 20	5, 10, 15, 20	40	0
CA_7A-7A	5	15	40	0
	10	10, 15		
	15	15, 20		
	20	20		
CA_41A-41A	10, 15, 20	10, 15, 20	40	0
	5, 10, 15, 20	5, 10, 15, 20	40	1



## » H: Acronyms

Table H-1: Acronyms and Definitions

Acronym or term	Definition
<b>3GPP</b>	3rd Generation Partnership Project
<b>8PSK</b>	Octagonal Phase Shift Keying
<b>AGC</b>	Automatic Gain Control
<b>A-GPS</b>	Assisted GPS
<b>API</b>	Application Programming Interface
<b>BeiDou</b>	BeiDou Navigation Satellite System A Chinese system that uses a series of satellites in geostationary and middle earth orbits to provide navigational data.
<b>BER</b>	Bit Error Rate—A measure of receive sensitivity
<b>BLER</b>	Block Error Rate
<b>bluetooth</b>	Wireless protocol for data exchange over short distances
<b>CQI</b>	Channel Quality Indication
<b>COM</b>	Communication port
<b>CS</b>	Circuit-switched
<b>CSG</b>	Closed Subscriber Group
<b>CW</b>	Continuous waveform
<b>dB</b>	Decibel = $10 \times \log_{10} (P1/P2)$ <i>P1 is calculated power; P2 is reference power</i>  Decibel = $20 \times \log_{10} (V1/V2)$ <i>V1 is calculated voltage, V2 is reference voltage</i>
<b>dBm</b>	A logarithmic (base 10) measure of relative power (dB for decibels); relative to milliwatts (m). A dBm value will be 30 units (1000 times) larger (less negative) than a dBW value, because of the difference in scale (milliwatts vs. watts).
<b>DC-HSPA+</b>	Dual Carrier HSPA+
<b>DCS</b>	Digital Cellular System A cellular communication infrastructure that uses the 1.8 GHz radio spectrum.
<b>DL</b>	Downlink (network to mobile)
<b>DRX</b>	Discontinuous Reception
<b>DSM</b>	Distributed Shared Memory
<b>DUT</b>	Device Under Test
<b>eICIC</b>	Enhanced Inter-Cell Interference Coordination

Table H-1: Acronyms and Definitions (Continued)

Acronym or term	Definition
<b>EIRP</b>	Effective (or Equivalent) Isotropic Radiated Power
<b>EMC</b>	Electromagnetic Compatibility
<b>EMI</b>	Electromagnetic Interference
<b>ERP</b>	Effective Radiated Power
<b>ESD</b>	Electrostatic Discharge
<b>FCC</b>	Federal Communications Commission The U.S. federal agency that is responsible for interstate and foreign communications. The FCC regulates commercial and private radio spectrum management, sets rates for communications services, determines standards for equipment, and controls broadcast licensing. Consult <a href="http://www.fcc.gov">www.fcc.gov</a> .
<b>FDD</b>	Frequency Division Duplexing
<b>FDMA</b>	Frequency Division Multiple Access
<b>feICIC</b>	Further Enhanced Inter-Cell Interference Coordination
<b>FER</b>	Frame Error Rate—A measure of receive sensitivity.
<b>firmware</b>	Software stored in ROM or EEPROM; essential programs that remain even when the system is turned off. Firmware is easier to change than hardware but more permanent than software stored on disk.
<b>FOTA</b>	Firmware Over The Air—Technology used to download firmware upgrades directly from the service provider, over the air.
<b>FOV</b>	Field Of View
<b>FSN</b>	Factory Serial Number—A unique serial number assigned to the mini card during manufacturing.
<b>Galileo</b>	A European system that uses a series of satellites in middle earth orbit to provide navigational data.
<b>GCF</b>	Global Certification Forum
<b>GLONASS</b>	Global Navigation Satellite System—A Russian system that uses a series of 24 satellites in middle circular orbit to provide navigational data.
<b>GMSK</b>	Gaussian Minimum Shift Keying modulation
<b>GNSS</b>	Global Navigation Satellite Systems (GPS, GLONASS, BeiDou, and Galileo)
<b>GPS</b>	Global Positioning System An American system that uses a series of 24 satellites in middle circular orbit to provide navigational data.
<b>Host</b>	The device into which an embedded module is integrated
<b>HSDPA</b>	High Speed Downlink Packet Access
<b>HSPA+</b>	Enhanced HSPA, as defined in 3GPP Release 7 and beyond

**Table H-1: Acronyms and Definitions (Continued)**

<b>Acronym or term</b>	<b>Definition</b>
<b>HSUPA</b>	High Speed Uplink Packet Access
<b>Hz</b>	Hertz = 1 cycle/second
<b>IC</b>	Industry Canada
<b>IF</b>	Intermediate Frequency
<b>IMEI</b>	International Mobile Equipment Identity
<b>IMS</b>	IP Multimedia Subsystem—Architectural framework for delivering IP multimedia services.
<b>inrush current</b>	Peak current drawn when a device is connected or powered on
<b>inter-RAT</b>	Radio Access Technology
<b>IOT</b>	Interoperability Testing
<b>IS</b>	Interim Standard. After receiving industry consensus, the TIA forwards the standard to ANSI for approval.
<b>ISIM</b>	IMS Subscriber Identity Module (Also referred to as a SIM card)
<b>LED</b>	Light Emitting Diode. A semiconductor diode that emits visible or infrared light.
<b>LHCP</b>	Left-Hand Circular Polarized
<b>LNA</b>	Low Noise Amplifier
<b>LPM</b>	Low Power Mode
<b>LPT</b>	Line Print Terminal
<b>LTE</b>	Long Term Evolution—a high-performance air interface for cellular mobile communication systems.
<b>MCS</b>	Modulation and Coding Scheme
<b>MHz</b>	Megahertz = 10e6 Hz
<b>MIMO</b>	Multiple Input Multiple Output—wireless antenna technology that uses multiple antennas at both transmitter and receiver side. This improves performance.
<b>NAS/AS</b>	Network Access Server
<b>NC</b>	No Connect
<b>NIC</b>	Network Interface Card
<b>NLIC</b>	Non-Linear Interference Cancellation
<b>NMEA</b>	National Marine Electronics Association
<b>OEM</b>	Original Equipment Manufacturer—a company that manufactures a product and sells it to a reseller.

Table H-1: Acronyms and Definitions (Continued)

Acronym or term	Definition
<b>OFDMA</b>	Orthogonal Frequency Division Multiple Access
<b>OMA DM</b>	Open Mobile Alliance Device Management—A device management protocol.
<b>OTA</b>	'Over the air' (or radiated through the antenna)
<b>PA</b>	Power Amplifier
<b>packet</b>	A short, fixed-length block of data, including a header, that is transmitted as a unit in a communications network.
<b>PCB</b>	Printed Circuit Board
<b>PCC</b>	Primary Component Carrier
<b>PCS</b>	Personal Communication System A cellular communication infrastructure that uses the 1.9 GHz radio spectrum.
<b>PDN</b>	Packet Data Network
<b>PMI</b>	Pre-coding Matrix Index
<b>PSS</b>	Primary synchronisation signal
<b>PST</b>	Product Support Tools
<b>PTCRB</b>	PCS Type Certification Review Board
<b>QAM</b>	Quadrature Amplitude Modulation. This form of modulation uses amplitude, frequency, and phase to transfer data on the carrier wave.
<b>QMI</b>	Qualcomm MSM/Modem Interface
<b>QOS</b>	Quality of Service
<b>QPSK</b>	Quadrature Phase-Shift Keying
<b>QPST</b>	Qualcomm Product Support Tools
<b>RAT</b>	Radio Access Technology
<b>RF</b>	Radio Frequency
<b>RI</b>	Ring Indicator
<b>roaming</b>	A cellular subscriber is in an area where service is obtained from a cellular service provider that is not the subscriber's provider.
<b>RSE</b>	Radiated Spurious Emissions
<b>RSSI</b>	Received Signal Strength Indication
<b>SCC</b>	Secondary Component Carrier
<b>SDK</b>	Software Development Kit
<b>SED</b>	Smart Error Detection

**Table H-1: Acronyms and Definitions (Continued)**

<b>Acronym or term</b>	<b>Definition</b>
<b>Sensitivity (Audio)</b>	Measure of lowest power signal that the receiver can measure.
<b>Sensitivity (RF)</b>	Measure of lowest power signal at the receiver input that can provide a prescribed BER/BLER/SNR value at the receiver output.
<b>SG</b>	An LTE signaling interface for SMS (“SMS over SGs”)
<b>SIB</b>	System Information Block
<b>SIM</b>	Subscriber Identity Module. Also referred to as USIM or UICC.
<b>SIMO</b>	Single Input Multiple Output—smart antenna technology that uses a single antenna at the transmitter side and multiple antennas at the receiver side. This improves performance and security.
<b>SISO</b>	Single Input Single Output—antenna technology that uses a single antenna at both the transmitter side and the receiver side.
<b>SKU</b>	Stock Keeping Unit—identifies an inventory item: a unique code, consisting of numbers or letters and numbers, assigned to a product by a retailer for purposes of identification and inventory control.
<b>SMS</b>	Short Message Service. A feature that allows users of a wireless device on a wireless network to receive or transmit short electronic alphanumeric messages (up to 160 characters, depending on the service provider).
<b>S/N</b>	Signal-to-noise (ratio)
<b>SNR</b>	Signal-to-Noise Ratio
<b>SOF</b>	Start of Frame—A USB function.
<b>SSS</b>	Secondary synchronisation signal.
<b>SUPL</b>	Secure User Plane Location
<b>TDD</b>	Time Division Duplexing
<b>TIA/EIA</b>	Telecommunications Industry Association / Electronics Industry Association. A standards setting trade organization, whose members provide communications and information technology products, systems, distribution services and professional services in the United States and around the world. Consult <a href="http://www.tiaonline.org">www.tiaonline.org</a> .
<b>TIS</b>	Total Isotropic Sensitivity
<b>TRP</b>	Total Radiated Power
<b>UDK</b>	Universal Development Kit (for PCI Express Mini Cards)
<b>UE</b>	User Equipment
<b>UICC</b>	Universal Integrated Circuit Card (Also referred to as a SIM card.)
<b>UL</b>	Uplink (mobile to network)

Table H-1: Acronyms and Definitions (Continued)

<b>Acronym or term</b>	<b>Definition</b>
<b>UMTS</b>	Universal Mobile Telecommunications System
<b>USB</b>	Universal Serial Bus
<b>USIM</b>	Universal Subscriber Identity Module (UMTS)
<b>VCC</b>	Supply voltage
<b>VSWR</b>	Voltage Standing Wave Ratio
<b>WAN</b>	Wide Area Network
<b>WCDMA</b>	Wideband Code Division Multiple Access (also referred to as UMTS)
<b>WLAN</b>	Wireless Local Area Network
<b>ZIF</b>	Zero Intermediate Frequency
<b>ZUC</b>	ZUC stream cypher

## Numerics

- 3D gain, average gain
  - 3D average (GNSS), 70
- 3GPP compliance
  - LTE, 18
  - UMTS, 18

## A

- acceptance tests, 74
- accessories, 16
- accuracy (GNSS), 45
- acquisition time (GNSS), 45
- acronyms and definitions, 93–??, 97–102
- A-GNSS, 16
- A-GPS, 16
- antenna
  - connection considerations, 36
  - connectors, 19
  - control, 19, 35
  - custom, design, 37
  - diversity antenna, disabling, 37
  - GNSS, specifications, recommended, 68, 70
  - limit, matching coaxial connections, 36
  - location, considerations, 37
  - matching, considerations, 37
  - maximum cable loss, 36
  - routing, 37
  - specification, 68–71
  - specifications, recommended, 68
  - testing, 71
- antennas
  - design checklist, 72
- API, 54
- application interface features, 14
- approvals, regulatory and industry, 60
- AT commands, 88
- averaged call mode DC power consumption, 47
- averaged standby DC power consumption, 46

## B

- bands supported, RF
  - summary, 13
  - LTE, 41, 42, 79, 81, 83, 85
- bearers, dedicated, 15
- BER (Bit Error Rate), 40
- bit error rate (BER)
  - measure of sensitivity, 40
- block diagram
  - expanded RF, 21
  - system, 20
- bottom view, 56

## C

- cable loss
  - antenna, maximum, 36

- capacitors
  - with SIM, 31
  - with XIM\_DATA / XIM\_CLK, 30
- carrier/operator testing, 88
- cell selection, 15
- certification tests, 75
- checklist, design, 72
- communications, host to modem
  - design checklist, 73
- conducted Tx power tolerances, 44
- connection
  - grounding, 38
- connectors, required
  - host-module, 17
- control interface, 31
- CQI, 15

## D

- DC power consumption
  - averaged call mode, 47
  - averaged standby, 46
- desense. See RF
- design checklist
  - antennas, 72
  - component placement, 72
  - EMI/ESD, 72
  - host/modem communications, 73
  - power, 72
  - thermal, 73
  - USB3, 72
- detach procedure, 16
- dimensioned view, 56
- dimensions, 55, 56
- diversity antenna
  - disabling, 37
- drop specifications, 55
- dynamic power control, 19

## E

- EDGE
  - connector, required, 17
- electrical specifications, 19
- electrostatic discharge specifications, 55
- electrostatic discharge. See ESD
- envelope correlation coefficient, 69
- environmental specifications, 55–57
- ESD
  - design checklist, 72
  - protection requirements, 57
- ESD specifications, 55
- expanded RF block diagram, 21

## F

- field of view, 70
- filtering, RF desense, 39
- form factor, 55
- FOV, 70
- free space average gain, 70

frequencies supported, [40](#)  
frequency band support  
    LTE, [41](#), [42](#), [79](#), [81](#), [83](#), [85](#)  
Full\_Card\_Power\_Off#, [33](#)

## G

gain  
    GNSS, [70](#)  
    maximum, [61](#), [69](#)  
    mean effective, [69](#)  
    mean effective imbalance, [69](#)  
GNSS  
    antenna specifications, recommended, [68](#), [70](#)  
GPS  
    features supported, [16](#)  
    specifications, [44](#)  
ground specifications, [27](#)  
grounding  
    connection considerations, [38](#)

## H

host interface  
    pin assignments, [21](#)  
humidity specifications, [55](#)

## I

I/O rise time requirements, [30](#)  
impedance  
    module–antenna, [37](#)  
    SIM, [30](#)  
industry approvals, [60](#)  
integration requirements, [17](#)  
interface  
    control interface, [31](#)  
    feature summary, [14](#)  
    host, pin assignments, [21](#)  
    QMI, [54](#)  
    SIM, [28](#)  
    software, [54](#)  
    USB, [27](#)  
interference  
    device generated, [39](#)  
    host-generated, [39](#)  
    power supply noise, [52](#)  
    wireless devices, [38](#)  
Interoperability testing, [88](#)  
intra-LTE mobility, [16](#)  
IOT testing, [88](#)  
iRAT, [16](#)  
isolation, [69](#), [70](#)

## L

labeling, [57](#)  
LED  
    example, [34](#)  
LED output, [19](#), [31](#), [34](#)

## LTE

3GPP compliance, [18](#)  
bandwidth support, [41](#)  
bandwidth support, LTE CA, [93](#)  
features, [15](#)  
frequency band support, [41](#), [42](#), [79](#), [81](#), [83](#), [85](#)

## M

mean effective gain, [69](#)  
mean effective gain imbalance, [69](#)  
mechanical specifications, [55–57](#)  
MIB, [15](#)  
minicom  
    downloading and installing, [79](#)  
modem features, [15](#)  
module  
    power states, [47–50](#)

## N

NAS/AS security, [15](#)  
noise  
    leakage, minimizing, [38](#)  
    RF interference, power supply, [52](#)

## O

OEM  
    assistance with testing, [88](#)  
    labeling, [57](#)  
operator/carrier testing, [88](#)  
ordering information, [17](#)

## P

packaging, [90](#)  
paging procedures, [15](#)  
PCB  
    multi-layer, shielding for RF desense, [39](#)  
PDN connections, multiple, [16](#)  
pin assignments, host interface, [21](#)  
PMI, [15](#)  
polarization, [70](#)  
position location, [16](#)  
power  
    design checklist, [72](#)  
    handling, [69](#)  
    power-up timing, [50](#)  
    ramp-up timing, [50](#)  
    state machines, [49](#)  
    states, module, [47–50](#)  
    supply, RF interference, [52](#)  
    supply, ripple limit, [52](#)  
power consumption, DC  
    averaged call mode, [47](#)  
    averaged standby, [46](#)  
power off signal, [19](#)  
power specifications, [27](#)  
power tolerances, conducted Tx, [44](#)  
Product Support Tool, QUALCOMM (QPST), [54](#)



production tests, [76](#)  
 PSS, [15](#)

## Q

QMI interface, [54](#)  
 QPST (QUALCOMM Product Support Tool), [54](#)  
 QUALCOMM Product Support Tool (QPST), [54](#)  
 quality assurance tests, [87](#)  
 QXDM support, [54](#)

## R

radiated efficiency, total, [69](#)  
 radiated sensitivity measurement, [40](#)  
 radiated spurious emissions, [39](#)  
 radiation patterns, [69](#)  
 references, [92](#)  
 regulatory approvals, [60](#)  
 regulatory information, ??–[63](#)  
   ANATEL, [63](#)  
   FCC, [61](#)  
   limitation of liability, [60](#)  
   safety and hazards, [60](#)  
 reset  
   timing, [50](#)  
 RESET#, [19](#), [33](#)  
 resistors, external pull-up, [30](#)  
 RF  
   antenna cable loss, maximum, [36](#)  
   antenna connection, considerations, [36](#)  
   connectors, required, [17](#)  
   desense  
     device-generated, [39](#)  
     harmonic energy, filtering, [39](#)  
     mitigation suggestions, [39](#)  
     shielding suggestions, [39](#)  
   interference  
     other devices, [39](#)  
     power supply, [52](#)  
     wireless devices, [38](#)  
 RF bands supported  
   summary, [13](#)  
   LTE, [41](#), [42](#), [79](#), [81](#), [83](#), [85](#)  
 RF block diagram, expanded, [21](#)  
 RF specifications, [36–??](#)  
 RI, [15](#)  
 RSE, [39](#)  
 Rx sensitivity  
   conducted, [43](#), [44](#)

## S

sales  
   ordering, [17](#)  
 SAR backoff, [53](#)  
 SDKs available, [54](#)  
 SED  
   see Smart Error Detection  
 See also W\_DISABLE1#, [32](#)  
 See also W\_DISABLE2#, [32](#)

sensitivity  
   conducted, RF parameter, [43](#), [44](#)  
   defined, [40](#)  
   radiated measurement, overview, [40](#)  
   testing, overview, [40](#)  
 shielding  
   module, compliance, [36](#)  
   reducing RF desense, [39](#)  
 shock specifications, [55](#)  
 SIB, [15](#)  
 signals, [31](#)  
   Full\_Card\_Power\_Off#, [33](#)  
   RESET#, [33](#)  
   WWAN\_LED#, [34](#)  
 SIM  
   capacitor recommendations, [31](#)  
   card contacts, [30](#)  
   clock rate, [30](#)  
   connector, required, [17](#)  
   electrical specifications, [30](#)  
   impedance, connectors, [30](#)  
   interface, [28](#)  
   interface diagram, [29](#)  
   operation, [30–31](#)  
 SIM Detect, [19](#)  
 Smart Error Detection  
   detecting module reset, [52](#)  
 SMS features, [16](#)  
 Snow 3G/AES security, [15](#)  
 software interface, [54](#)  
 specifications  
   electrical, [19](#)  
   environmental specifications, [55–57](#)  
   GPS, [44](#)  
   mechanical, [55–57](#)  
   RF, [36–??](#)  
 SSS, [15](#)  
 standalone mode, GPS/GLONASS, [16](#)  
 standby DC power consumption, averaged, [46](#)  
 state machines, [49](#)  
 support  
   testing assistance by Sierra Wireless, [88](#)  
   tools, [54](#)  
 system acquisition, [15](#)  
 system block diagram, [20](#)

## T

temperature specifications, [55](#)  
 temperature, module. See thermal

testing

- overview, [74](#)
- acceptance tests, [74](#)
- assistance provided by Sierra Wireless, [88](#)
- certification tests, [75](#)
- equipment, suggested, [88](#)
- interoperability and operator/carrier testing, [88](#)
- manual functional test, suggested, [76](#)
- production tests, [76](#)
- quality assurance tests, [87](#)
- RF receive path, LTE, [85](#)
- RF receive path, UMTS, [83](#)
- RF transmission path, LTE, [81](#)
- RF transmission path, UMTS, [79](#)
- suggestions, [74–89](#)

thermal

- considerations, [58–59](#)
- design checklist, [73](#)
- dissipation, factors affecting, [58](#)
- dissipation, suggestions, [58](#)
- testing, module, [59](#)

timing

- power ramp-up, [50](#)
- power-up, [50](#)
- reset, [50](#)
- USB enumeration, [50](#)

top view, [56](#)

tracking session

- automatic, [16](#)
- standalone, [16](#)

Tx power tolerances, conducted, [44](#)

## U

UMTS

- 3GPP compliance, [18](#)

USB

- drivers, user-developed, [28](#)
- high / full speed throughput performance, [28](#)
- interface, [27](#)

USB enumeration timing, [50](#)

USB3

- design checklist, [72](#)

## V

vibration specifications, [55](#)

VSWR, [68, 70](#)

## W

W\_DISABLE#1, [19, 31](#)

W\_DISABLE#2, [19, 31](#)

W\_DISABLE1#, [32](#)

W\_DISABLE2#, [32](#)

WAKE\_ON\_WAN#, [19](#)

Wireless Disable, [31](#)

Wireless Disable (GNSS), [32](#)

Wireless Disable (Main RF), [32](#)

WWAN\_LED#, [31, 34](#)

## Z

ZIF (Zero Intermediate Frequency), [38](#)