



承	認	書
CUSTOMER	APPROVAL	SHEET

客 戶  
CUSTOMER

深圳峰云科技

---

品 名  
DESCRIPTION

SM001+SM006

---

客 戶 料 號  
CUSTOMER PART NO

B7861002

---

# SM001+SM006

## 目錄

序號	文件檔案名稱	認證單位	認證號碼	頁碼	備註	
1	目錄	-----	-----	P1		
2	產品全圖	-----	-----	P2		
3	SM001插頭圖	-----	-----	P3		
4	SM006插頭圖	-----	-----	P4		
5	依賴性測試報告	-----	-----	P5.6.7.8.9		
6	CUL認證資料	-----	E119543	P10.11		
7	SM001 CSA認證資料	-----	2125793	P12		
8	SM006CSA認證資料	-----	2125794	P13		
9	線材廠商認證資料	通源	UL	E230449	P14.15	
10			CSA	216281	P16.17.18	
11		鎰勝	UL	E314513	P19.20	
12			CSA	81924	P21.22	
13		永力	UL	E241374	P23	
14			CSA	177323	P24	
15		成品SGS報告	-----	-----	P25~38	

模號

AC-006-02

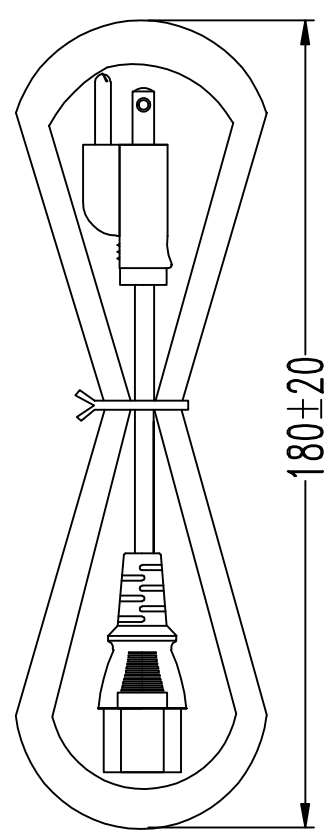
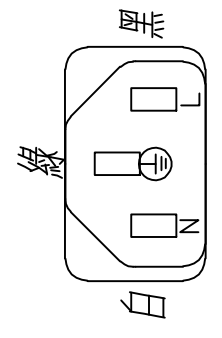
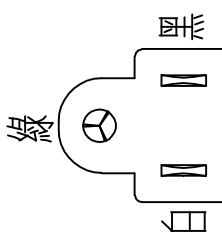
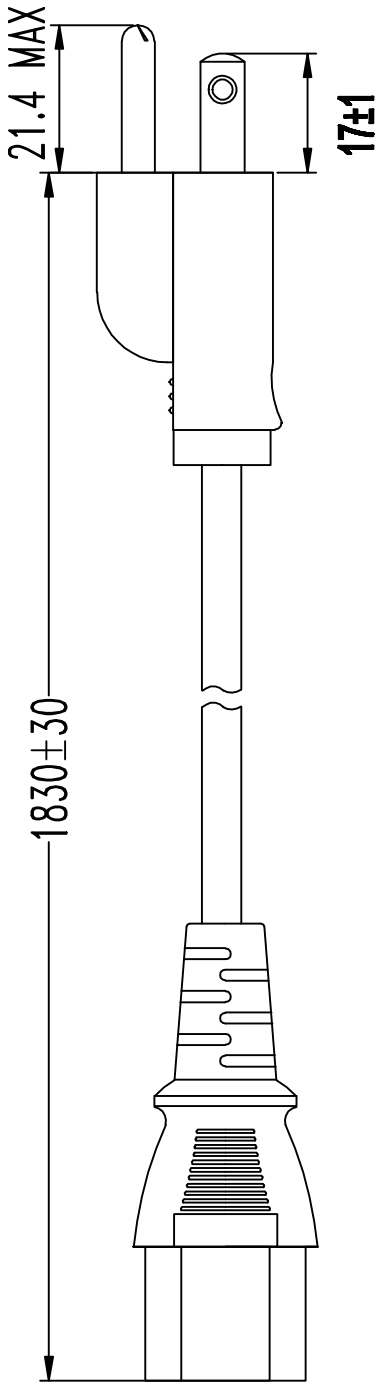
模號

AC-001-02 AC-001-03

CONNECTOR MARK:  
 SELF-MAN  
 SM-006  
 E119543  
 10A 125V



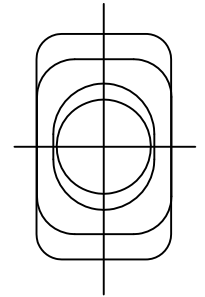
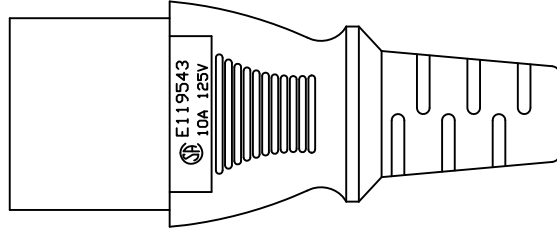
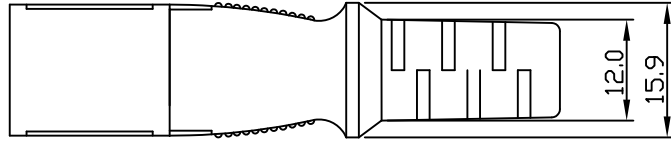
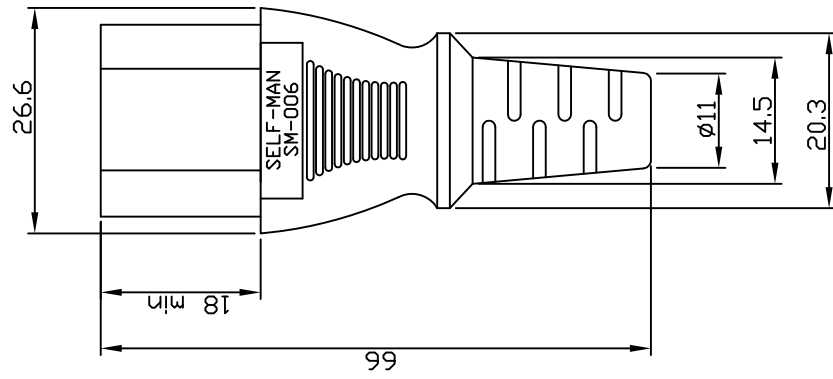
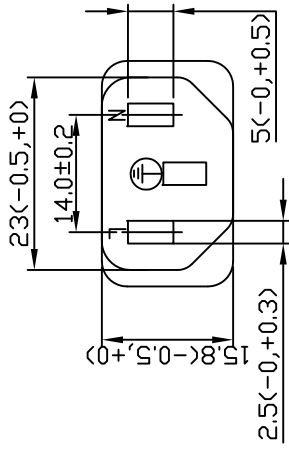
PLUG MARK:  
 UL  
 SM-001  
 10A 125V  
 E119543  
 SELF-MAN



蘇州互銘電子器材有限公司

客戶	深圳峰云科技	工程檔號	SM-3183	線材	規格	全色系	客戶確認欄
品名	SM001+SM006	版次	A	SVT 18AWG*3C 60°C VW-1 凹字環材料	BLACK		
客戶料號	B7861002	單位	mm	製作	日期	認可	宋明廷
				蕭芳	2020/02/20	審核	
				日期	2020/02/20	審核	





一般公差	$\pm 0.3$
>0.0	$\pm 0.5$
>1.0	$\pm 1.0$
>10.0	$\pm 2.0$
Angle	$\pm 1^\circ$

核准		簽名	日期
審核		Fan	07/12/19
設計			
製圖			

蘇州互銘電子器材有限公司 Suzhou Self-Man Electronics Industry Co.,Ltd.			
圖名: SM006			
單位	mm	比例	

# SPECIFICATION

TYPE	DESCRIPTION	PART NO.	PAGE
SM001+SM006	POWER SUPPLY CORD		1 of 5

**1. SCOPE:**

This specification applies to POWER SUPPLY CORDS which are in compliance with UL & CSA standards and authorized by UL & CSA as following files.

2. Standard of applicable	Type	Max.voltages	Max.current	Fill No.
2.1 plug	SM001			E119543
2.2 connector	SM006	125V	10A	E119543
2.3 cord	SVT 18/3C			

**3. TEST CONDITION:** This test and measurement, unless otherwise specified shall be carried out at a temperature of 15 to 35 , relative humidity of 25% to 85%, and atmospheric pressure of 86kpa to 106kpa.

However, when any doubt arises on the judgement value under it the test and measurement shall be carried out at a temperature of 20±2 , relative humidity of 60% to 70%, and atmospheric pressure of 86kpa to 106kpa.

**4. ELECTRICAL PERFORMANCE**

NO.	Item	Test condition	Requirement
4-1	Dielectric Withstanding Voltage test	(a) In this air (20±5 ) AC2000V is applied between a conductor and other conductor for 1 second.	No breakage
		(b) Immersed in water(20±5 ) AC1000V is applied between a conductor and other conductor for 1 minute	No breakage
4-2	Current and Polarity test		No problem with conductor

# SPECIFICATION

TYPE	DESCRIPTION	PART NO.	PAGE
SM001+SM006	POWER SUPPLY CORD		2 of 5

## 4. ELECTRICAL PERFORMANCE

NO.	Item	Test condition	Requirement
4-3	Insulation resistance test	In the air 20 ~60 DC 500V	5M MIN
4-4	Conductor resistance test	In the air 20 ~60	25.1 /km MAX

## 5. MECHANICAL PERFORMANCE

NO.	Item	Test condition	Requirement
5-1	Tensile strength (initial sample)	insulation	15LBS/2min
5-2	Deformation test	Exposure to 120±3 atmosphere for 0.5H Weight 510g	The thickness of sample shall not decrease more than 50%
5-3	Accelerated Aging test	Exposure to 75±2 , atmosphere for 168 hours under natural ventilation.	No crack mucus mark wire exposure short and opposite polarity

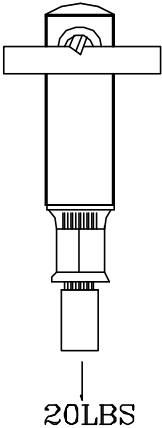
# SPECIFICATION

TYPE	DESCRIPTION	PART NO.	PAGE
SM001+SM006	POWER SUPPLY CORD		3 of 5

## 5. MECHANICAL PERFORMANCE(CORD)

NO.	Item	Test condition	Requirement
5-4	Abrupt pull test	25 time abrupt pull test,turn around one circle Test to the rating of 40A for 2mins	No cord set break
5-5	Input & output Force to connector	It is tested after taking the action of 10time input & output.	Applied force is 1~6kg

## 6. MECHANICAL PERFORMANCE

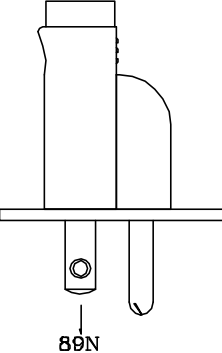
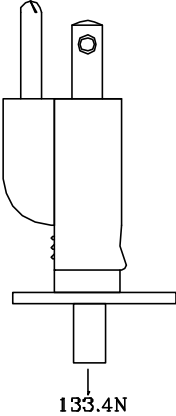
NO.	Item	Test condition	Requirement
6-1	Pulling out force of conductor	The connector between blade terminal and conductor shall not break under a Pull force of 20 LBS for 1 minute  <div style="text-align: center;">  </div>	Conductor can not fall down



# SPECIFICATION

TYPE	DESCRIPTION	PART NO.	PAGE
SM001+SM006	POWER SUPPLY CORD		4 of 5

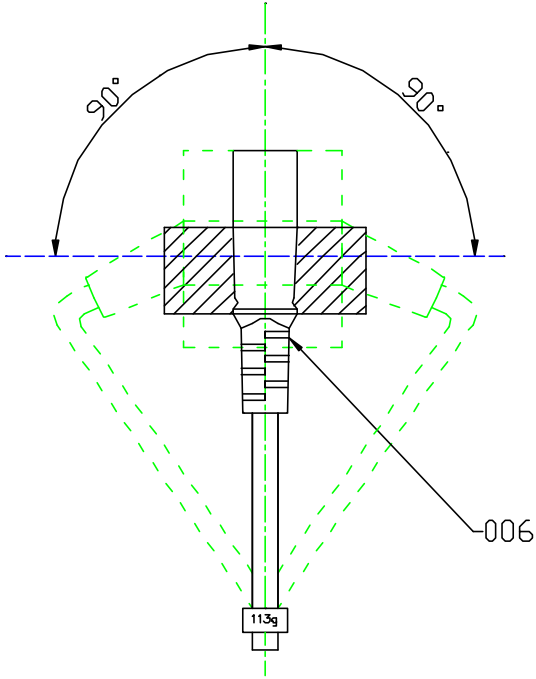
## 6. MECHANICAL PERFORMANCE

NO.	Item	Test condition	Requirement
6-2	Pulling out force of blades	<p>The attachment plug is supported on a horizontal steel plate with the blades down ward through a hole sufficiently large just to permit the blades to pass through it a weight than exert 89N force for two minutes is to be supported by each blade in succession.</p> <div style="text-align: center;">  </div>	<p>The residual displacement of either blade must not more than 2.4mm after 2 minutes of load.</p>
6-3	Pulling out force of cord	<p>The joint in flexible cord is to be securely supported by a rigid flat mounted horizontally, a pull of 133.4N weight for one minute to be flexible cord</p> <div style="text-align: center;">  </div>	<p>No looseness</p>

# SPECIFICATION

TYPE	DESCRIPTION	PART NO.	PAGE
SM001+SM006	POWER SUPPLY CORD		5 of 5

## 6.MECHANICAL PERFORMANCE

NO.	Item	Test condition	Requirement
6-4	Bending force	<p>The power supply cord division is fixing and load of 113g is added to a tip of a cable. It is made to do 2500times bending on right and left each 90 ° (bending speed 10 times/minute)</p> <div style="text-align: center;">  </div>	Breaking rate is under 30%



Q A Manager  
SUZHOU SELF-MAN ELECTRONICS INDUSTRY C  
No 266 Lianyi Rd  
Wuzhong District  
Luzhi  
Suzhou  
Jiangsu 215127 CHINA

Date: 2014/10/25  
Subscriber: 100532946  
PartySite: 647528  
File No: E119543SP  
Project No: 14SR2021184  
PD No: 14M47882  
Type: R  
PO Number:

Subject: **Procedure And/Or Report Material**

The following material resulting from the investigation under the above numbers is enclosed.

**Issue**

<u>Date</u>	<u>Vol</u>	<u>Sec</u>	<u>Pages</u>	<u>Revised Date</u>
	1		Revised Index Page(s) 1	2014/10/22

Inspections at your plant will be conducted under the supervision of LAKER HU, UL INSPECTION CENTER NANJING, CHINA NATIONAL IMPORT & EXPORT, COMMODITIES INSPECTION CORP, 1 BAIXIA RD, 8TH FL, NANJING, JIANGSU, China, 210001., PHONE: 25-5234-5767, FAX: 25-5234-5769, EMAIL: ul521@cccicjs.com

Please file revised pages and illustrations in place of material of like identity. New material should be filed in its proper numerical order.

NOTE: Follow-Up Service Procedure revisions DO NOT include Cover Pages, Test Records and Conclusion Pages. Report revisions DO NOT include Authorization Pages, Indices, Section General Pages and Appendixes.

Please review this material and report any inaccuracies to UL's Customer Service Professionals. Contact information for all of UL's global offices can be found at <http://www.ul.com/global/eng/pages/corporate/contactus>.

If you'd like to receive updated materials FASTER, UL offers electronic access and/or delivery of this material. For more details, contact UL's Customer Service Professionals as shown above.

This material is provided on behalf of UL LLC(UL) or any authorized licensee of UL.

TPI File

UL INSPECTION CENTER 521

## INDEX

## ATTACHMENT PLUGS:

## NEMA CONFIGURATION

Cat. No.	Config.	Cord AWG	Electrical A/V	Sec.	Fig.	USU	CNU
SM-001	5-15	18,16,14	10,13,15/125	1	1	Yes	No
SM-045	1-15	18,17,16,14	10,12,13,15/125	1	-	Yes	Yes

## IEC CONFIGURATION

Cat. No.	Config.	Cord AWG	Electrical A/V	Sec.	Fig.	USU	CNU
SM-003, SM-018	C14	18	10/250	1	2	Yes	No
SM-008	C8	18	7/125	1	5	Yes	Yes

## CORD CONNECTOR BODIES:

## NEMA CONFIGURATION

Cat. No.	Config.	Cord AWG	Electrical A/V	Sec.	Fig.	USU	CNU
None							

## IEC CONFIGURATION

Cat. No.	Config.	Cord AWG	Electrical A/V	Sec.	Fig.	USU	CNU
SM-002	C13	18	10/125or250	2	1	Yes	No
SM-103, SM-104	C7	18	7/125	2	2,3	Yes	Yes
SM-006	C13	18,16,14	10,13,15/125or250	2	4	Yes	Yes
SM-006L	C13	18,16,14	10,13,15/125or250	2	5	Yes	Yes
SM-006L1	C13	18,16,14	10,13,15/125or250	2	6	Yes	Yes
SM-006L2	C13	18,16,14	10,13,15/125or250	2	7	Yes	Yes
SM-006L3	C13	18,16,14	10,13,15/125or250	2	8	Yes	Yes
SM-104-1	C7	18	7/125	2	9	Yes	Yes
SM-103L	C7	18	7/125	2	10	Yes	Yes
*SM-112	<b>C5</b>	18	7/125	3	1	Yes	No

## DEFINITIONS:

USU - United States Standard, Unlisted Component.

CNU - Canadian National Standard, Unlisted Component.



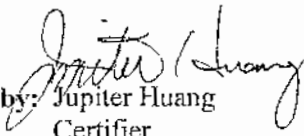
# Certificate of Compliance

Certificate: 2125794 (LR 87035-2) Master Contract: 179716 (LR 87035)  
 Project: 2125794 Date Issued: August 3, 2009  
 Issued to: Self-Man Industrial Co., Ltd.  
 No 51, Chun-Hsien Rd.  
 Chi-Tu District  
 Keelung, 20627  
 TAIWAN  
 Attention: Mr. Jack Hsu

*The products listed below are eligible to bear the CSA Mark shown*



Issued by: Sebastian George, P. Eng.

Authorized by:   
 Jupiter Huang  
 Certifier

## PRODUCTS

CLASS -5842 02 - CORD SETS - Power Supply Cords

Power supply cord(s) consisting of the following connector moulded onto flexible cords as listed:

Power Supply Cord		Flexible Cord		
Cat No.	Configuration	AWG	Rating	Type
PART A: SM-003	Special-Use Plug Cap 2 pole, 3 wires (IEC 320 Type C14)	18/3	10A, 125/250 V	SVT
PART B: SM-002	Special-Use Connector 2 pole, 3 wires (IEC 320 Type C13)	18/3	10A, 125/250 V	SVT
PART C: SM-006	Special-Use Connector 2 pole, 2 wires (IEC 320 Type C7)	18/3	10A, 125/250 V	SVT
PART D: SM-018	Special-Use Plug Cap 2 pole, 3 wires (IEC 320 Type C14)	18/3	10A, 125/250 V	SVT



File E230449 Vol 1 Issued 08/12/2002  
Revised

FOLLOW-UP SERVICE PROCEDURE  
(TYPE L)

FLEXIBLE CORD  
(ZJCZ)

Manufacturer: SUZHOU TONGYUAN ELECTRIC  
(895648-001) WIRE & CABLE CO LTD  
SUZHOU INDUSTRIAL PARK, BLK 1  
KUATANG TOWNSHIP  
SUZHOU CITY  
JIANGSU 215122 CHINA

Applicant: SAME AS MANUFACTURER  
(895648-001)

Listee: SAME AS MANUFACTURER  
(895648-001)

This Procedure authorizes the above Manufacturer to use the marking specified by Underwriters Laboratories Inc. only on products covered by this Procedure, in accordance with the applicable Follow-Up Service Agreement.

The prescribed Mark or Marking shall be used only at the above manufacturing location on such products which comply with this Procedure and any other applicable requirements.

The Procedure contains information for the use of the above named Manufacturer and representatives of Underwriters Laboratories Inc. and is not to be used for any other purpose. It is lent to the Manufacturer with the understanding that it is not to be copied, either wholly or in part, and that it will be returned to Underwriters Laboratories Inc. upon request.

This PROCEDURE, and any subsequent revisions, is the property of UNDERWRITERS LABORATORIES INC. and is not transferable.

UNDERWRITERS LABORATORIES INC.

A handwritten signature in dark ink, appearing to read 'A.W. Schaefer'.

A.W. Schaefer  
Vice President and General Manager  
Laboratory Management and Operations

A not-for-profit organization  
dedicated to public safety and  
committed to quality service

## INDEX

<u>Construction</u>	<u>United States Type</u>	<u>Canadian Type</u>	<u>Section</u>
Parallel Cords: Thermoplastic	SPT-1, SPT-2, SPT-3, NISPT-1, NISPT-2	SPT-1, SPT-2, SPT-3	1
Jacketed Cords: Thermoplastic	SVT, SJT, SJTW ST, STW	SVT, SJT, SJTW, ST, STW	2





# Certificate of Compliance

<b>Certificate:</b>	1329002	<b>Master Contract:</b>	216281
<b>Project:</b>	1956402	<b>Date Issued:</b>	2007/10/02
<b>Issued to:</b>	<b>Suzhou Tongyuan Electric Wire &amp; Cable Co., Ltd. 1 Block Kuatang Township Suzhou Industrial Park Suzhou City, Jiangsu 215122 China Attention: Ji Mei Hong</b>		

*The products listed below are eligible to bear the CSA Mark shown*



**Issued by:** Brian Harmer, C.E.I.

**Authorized by:** Nick Alfano, Operations Manager

**PRODUCTS**

**CLASS 5831 01 - WIRES - Flexible Cord**

- Type SPT-1, 300V, rated 60°C, 75°C, 90°C and 105°C, classified "FT2"
- Type NISPT-1, 300V, rated 60°C, 75°C, 90°C and 105°C, classified "FT2"
- Type SPT-2, 300V, rated 60°C, 75°C, 90°C and 105°C, classified "FT2"
- Type NISPT-2, 300V, rated 60°C, 75°C, 90°C and 105°C, classified "FT2"
- Type SPT-3, 300V, rated 60°C, 75°C, 90°C and 105°C, classified "FT2"



**Certificate:** 1329002

**Master Contract:** 216281

**Project:** 1956402

**Date Issued:** 2007/10/02

Type SVT, 300V, rated 60°C, 75°C, 90°C and 105°C, classified "FT2"

Type SJT, 300V, rated 60°C, 75°C, 90°C and 105°C, classified "FT2"

Type SJTW, 300V, rated 60°C, 75°C, 90°C and 105°C, classified "FT2"

Type ST, 600V, rated 60°C, 75°C, 90°C and 105°C, classified "FT2"

Type STW, 600V, rated 60°C, 75°C, 90°C and 105°C, classified "FT2"

Note.

Conductor sizes include mm<sup>2</sup> (AWG) in all applicable sizes

**APPLICABLE REQUIREMENTS**

CSA Standard C22.2 No. 49-06

- Flexible Cords and Cables

Electrical Certification Notice: Wire and Cable No. 21 -  
Cords and Cables

CSA Certification Marking on CSA Certified Flexible



CSA INTERNATIONAL

## *Supplement to Certificate of Compliance*

Certificate: 1329002

Master Contract: 216281

*The products listed, including the latest revision described below, are eligible to be marked in accordance with the referenced Certificate.*

### Product Certification History

Project	Date	Description
1956402	2007/10/02	Update Report 1329006 to the requirements of C22.2 No. 49-06
<b>History</b>		
1329002	July 31, 2002	Original Certification



File E314513

Vol 1

Issued: 2007-09-07  
Revised:

FOLLOW-UP SERVICE PROCEDURE  
(TYPE L)

FLEXIBLE CORD  
(ZJCZ, ZJCZ7)

Manufacturer: I SHENG ELECTRONICS (KUNSHAN) CO LTD  
(628100-003) KUNSHAN DEVELOPMENT ZONE  
888 TAI SHAN RD  
KUNSHAN JIANGSU CHINA

Applicant: SAME AS MANUFACTURER  
(628100-003)

Listee: SAME AS MANUFACTURER  
(628100-003)

This Procedure authorizes the above manufacturer to use the marking specified by Underwriters Laboratories Inc.(UL), or any authorized licensee of UL, only on products covered by this Procedure, in accordance with the applicable UL Services Agreement.

The prescribed Mark or Marking shall be used only at the above manufacturing location on such products which comply with this Procedure and any other applicable requirements.

The Procedure contains information for the use of the above named Manufacturer and representatives of Underwriters Laboratories Inc. and is not to be used for any other purpose. It is lent to the Manufacturer with the understanding that it is not to be copied, either wholly or in part, and that it will be returned to Underwriters Laboratories Inc. (UL) or any authorized licensee of UL, upon request.

This PROCEDURE, and any subsequent revision, is the property of Underwriters Laboratories Inc.(UL) and the authorized licensee of UL and is not transferable.

Underwriters Laboratories Inc.

Stephen Hewson  
Senior Vice President  
Global Follow-Up Service Operations

William R. Carney  
Director  
North American Certification Program

INDEX

Construction	United States Type	Canadian Type	Section
Jacketed Cords, Thermoplastic	SVT, SJT, <b>SJTW,</b> <b>ST, STW</b>	SVT, SJT, <b>SJTW,</b> <b>ST, STW</b>	1
Parallel Cords, Thermoplastic	SPT-1, SPT-2, SPT-3, NISPT-1, NISPT-2	SPT-1, SPT-2, SPT-3, NISPT-1, NISPT-2	2
Jacketed Cords, Thermoset	S, SO, SOO, SOW, SOOW, SJ, SJO, SJOO, SJOW, SJOOW, SV, SVO, SVOO	S, SO, SOO, SOW, SOOW, SJ, SJO, SJOO, SJOW, SJOOW, SV, SVO, SVOO	3
Heater Cords	HPN	HPN	4

N/A - Not Applicable



## Certification Record

CUSTOMER	CLASS	FILE
I-Sheng Electric Wire & Cable Co., Ltd. No 52 Tin Hwu Rd, Ta Gann Village Gwai San Hsian Taoyuan Hsien 33334 Taiwan	<a href="#">5831-01</a>  WIRES -Flexible Cord  <b>Refer to Class Description for program details</b>	081924_0_000

### TO THE REQUIREMENTS OF CSA STANDARD C22.2 NO 49-06:

Type	Max Volt (V)	Size of Conductors (AWG*)	No of Conductors	Insul. Type	Jacket Type	Notes
<ul style="list-style-type: none"> <li>• Max temperature rating 60C:</li> </ul>						
SPT-1	300	20,18	2,3	PVC	-	1,2,3
NISPT-1	300	20,18	2,3	PVC	PVC	1,2,6
SPT-2	300	18,16	2,3	PVC	-	1,2,3
NISPT-2	300	18,16	2,3	PVC	PVC	1,2,6
SPT-3	300	18-10	2,3	PVC	-	1, 2
SVT	300	18,17,16	2,3	PVC	PVC	1,2,4
SJT	300	18-10	2-6	PVC	PVC	1,2,4
SJTO	300	18-10	2-6	PVC	PVC	1,2
SJTW, SJTOW	300	18-10	2-6	PVC	PVC	1,2,4,5
ST	600	18-2	2 or more	PVC	PVC	1,2,4
STW, STOW	600	18-2	2 or more	PVC	PVC	1,2,4,5
PXT	125	20	2	PVC	-	1,2,7
PXWT	300	18, 16	2	PVC	-	1,2,5,7
S	600	18-2	2 or more	EP	CPE	1,2,7
SO	600	18-2	2 or more	EP	CPE	1,2,7
SOO	600	18-2	2 or more	EP	CPE	1,2,7
SOW	600	18-2	2 or more	EP	CPE	1,2,7
SOOW	600	18-2	2 or more	EP	CPE	1,2,7
SJ	300	18-10	2-6	EP	CPE	1,2,7
SJO	300	18-10	2-6	EP	CPE	1,2,7
SJOO	300	18-10	2-6	EP	CPE	1,2,7
SV	300	18,17,16	2 or 3	EP	CPE	1,2,7
SVO	300	18,17,16	2 or 3	EP	CPE	1,2,7
SVOO	300	18,17,16	2 or 3	EP	CPE	1,2,7

- Max temperature 90C:

HPN	300	14	2	CPE	-	1,2
SV	300	18, 17, 16	2 or 3	EP	CPE	1, 2, 7
SVO	300	18, 17, 16	2 or 3	EP	CPE	1, 2, 7
SVOO	300	18, 17, 16	2 or 3	EP	CPE	1, 2, 7
HPN	300	16, 18	2 or 3	CPE	-	1, 2, 8

- Max temperature 105C:

SPT-1	300	20,18	2,3	PVC	-	1,2,3
NISPT-1	300	20,18	2,3	PVC	PVC	1,2,6
SPT-2	300	18,16	2,3	PVC	-	1,2,3
NISPT-2	300	18,16	2,3	PVC	PVC	1,2,6
SPT-3	300	18-10	2,3	PVC	-	1, 2
SVT	300	18,17,16	2,3	PVC	PVC	1,2,4
SJT	300	18-10	2-6	PVC	PVC	1,2,4
SJTO	300	18-10	2-6	PVC	PVC	1,2
SJTW, SJTOW	300	18-10	2 -6	PVC	PVC	1,2,4,5
ST	600	18-2	2 or more	PVC	PVC	1,2,4
STW, STOW	600	18-2	2 or more	PVC	PVC	1,2,4,5
HPN	300	14	2	CPE	-	1,2
HPN	300	16, 18	2 or 3	CPE	-	1,2,8
S	600	18-2	2 or more	EP	CPE	1,2,7
SO	600	18-2	2 or more	EP	CPE	1,2,7
SOO	600	18-2	2 or more	EP	CPE	1,2,7
SOW	600	18-2	2 or more	EP	CPE	1,2,7
SOOW	600	18-2	2 or more	EP	CPE	1,2,7
SJ	300	18-10	2-6	EP	CPE	1,2,7
SJO	300	18-10	2-6	EP	CPE	1,2,7
SJOO	300	18-10	2-6	EP	CPE	1,2,7
HPN						

\*mm<sup>2</sup> sizes also apply.

Notes:

1. In all colours except for clear and translucent.
2. Flame classification - FT2.
3. Includes two-conductor constructions in clear or translucent.
4. Optional shielding.
5. Low temperature rating: -40C.
6. Non-integral construction.
7. Flame classification - FT1.
8. HPN with 16 or 18 AWG, 3 conductor, EP ground conductor insulation.

\j

**ZJCZ.E241374**  
**Flexible Cord**[Page Bottom](#)

---

**Flexible Cord**[See General Information for Flexible Cord](#)**YUNG LI CO LTD**

E241374

1ST FL

10 LANE 235 PAO-CHIAO RD

HSIN-TIEN, TAIPEI HSIEN 231 TAIWAN

**Jacketed cords**, Type SJTW, STW, SJTO, SJTOW, STO, STOW, SJ, S, SJO, SO, SVT, SVTO, SJT, ST, SJOW, SJOOW, SOW, SOOW, SJOO, SOO.

**Parallel cords**, Type SPT-1, SPT-2, SPT-3, SPT-1W, SPT-2W, NISPT-1, NISPT-2.

**Rang and dryer cord**, Type SRDT.

[Last Updated on 2007-02-12](#)

---

[Questions?](#)[Notice of Disclaimer](#)[Page Top](#)[Copyright © 2007 Underwriters Laboratories Inc.®](#)

The appearance of a company's name or product in this database does not in itself assure that products so identified have been manufactured under UL's Follow-Up Service. Only those products bearing the UL Mark should be considered to be Listed and covered under UL's Follow-Up Service. Always look for the Mark on the product.

UL permits the reproduction of the material contained in the Online Certification Directory subject to the following conditions: 1. The Guide Information, Designs and/or Listings (files) must be presented in their entirety and in a non-misleading manner, without any manipulation of the data (or drawings). 2. The statement "Reprinted from the Online Certifications Directory with permission from Underwriters Laboratories Inc." must appear adjacent to the extracted material. In addition, the reprinted material must include a copyright notice in the following format: "Copyright © 2007 Underwriters Laboratories Inc.®"

An independent organization working for a safer world with integrity, precision and knowledge.







# Certificate of Compliance

**Certificate:** 1594794 (LL 76398)

**Master Contract:** 177323

**Project:** 2616524

**Date Issued:** April 3, 2013

**Issued to:** Yung Li Company Ltd.

1F No 10 Lane 235 Pao Chiao Rd  
Hsin Tien City  
Taipei Hsien,  
Taiwan  
Attention: Wendy Wu

*The products listed below are eligible to bear the CSA Mark shown*



*Kim Nguyen*

**Issued by:** Kim Nguyen, P. Eng.

## **PRODUCTS**

**CLASS 5831 01** - WIRES - Flexible Cord

Types SPT-1, NISPT-1, SPT-2, NISPT-2, SPT-3, SVT, SVTO, SJT, SJTW, SJTO, SJTOW, ST, STW, STO, STOW with PVC insulation and jacket, rated 60C, 75C, 90C and 105C, FT1, FT2, VW-1.

## **APPLICABLE REQUIREMENTS**

CSA C22.2 No 49 - Flexible Cords and Cables

## 測試報告

## Test Report

號碼(No.): ETA22100116

日期(Date): 17-Jan-2022

頁數(Page): 1 of 14

瓦(巨)銘工業股份有限公司 (SELF-MAN INDUSTRIAL CO., LTD.)

基隆市七堵區俊賢路25號5樓 (5F, NO. 25, CHUN-HSIEN ROAD, CHI-TU DISTRICT, KEELUNG 206, TAIWAN)

以下測試樣品係由申請廠商所提供及確認 (The following sample(s) was/were submitted and identified by/on behalf of the applicant as) :

送樣廠商(Sample Submitted By) : 瓦(巨)銘工業股份有限公司 (SELF-MAN INDUSTRIAL CO., LTD.)

樣品名稱(Sample Name) : AC POWER CORD

樣品型號(Style/Item No.) : 請參考第2-3頁 (PLEASE REFER TO PAGE 2-3)

收件日(Sample Receiving Date) : 10-Jan-2022

測試期間(Testing Period) : 10-Jan-2022 to 17-Jan-2022

測試需求(Test Requested) : 依據客戶要求進行測試，測試項目請參閱測試結果表格。(Testing item(s) is/are specified by client. Please refer to result table for testing item(s).)

測試結果(Test Results) : 請參閱下一頁 (Please refer to following pages.)

  
Troy Chang, Manager, Tech  
Signed for and on behalf of  
SGS TAIWAN LTD.  
Chemical Laboratory - Taipei



PIN CODE: 243BA57A

This document is issued by the Company subject to its General Conditions of Service printed overleaf, available on request or accessible at <https://www.sgs.com.tw/terms-of-service> and, for electronic format documents, subject to Terms and Conditions for Electronic Documents at <https://www.sgs.com.tw/terms-of-service>. Attention is drawn to the limitation of liability, indemnification and jurisdiction issues defined therein. Any holder of this document is advised that information contained hereon reflects the Company's findings at the time of its intervention only and within the limits of client's instruction, if any. The Company's sole responsibility is to its Client and this document does not exonerate parties to a transaction from exercising all their rights and obligations under the transaction documents. This document cannot be reproduced, except in full, without prior written approval of the Company. Any unauthorized alteration, forgery or falsification of the content or appearance of this document is unlawful and offenders may be prosecuted to the fullest extent of the law. Unless otherwise stated the results shown in this test report refer only to the sample(s) tested.

# 測試報告

## Test Report

號碼(No.): ETA22100116

日期(Date): 17-Jan-2022

頁數(Page): 2 of 14

瓦(巨)銘工業股份有限公司 (SELF-MAN INDUSTRIAL CO., LTD.)

基隆市七堵區俊賢路25號5樓 (5F, NO. 25, CHUN-HSIEN ROAD, CHI-TU DISTRICT, KEELUNG 206, TAIWAN)

樣品型號(Style/Item No.) :

(CABLE)

SPECIFICATION OF CABLE-IRE: SPT-1 18AWG 2C, SPT-2 18AWG 2C,  
NISPT-1 18AWG 2C, NISPT-2 18AWG 2C, SPT-2 18AWG 3C,  
SPT-2 16AWG 2C, SVT 18AWG 2C, SVT 18AWG 3C, SVT 17AWG 2C, SVT 16AWG 2C,  
SJT 16AWG 2C, SJT 18AWG 2C, SJT 18AWG 3C, SJT 16AWG 3C, SJT 14AWG 3C,  
SJT 14AWG 2C, SJTW 18AWG 3C, SJTW 16AGW 3C, SJTW 14AGW 3C, SJTW 18AWG 2C,  
SJTW 16AWG 2C, SJTW 14AWG 2C, SJTOW 18AWG 3C, SJTOW 16AWG 3C, SJTOW 14AWG 3C,  
SJTOW 18AWG 2C, SJTOW 16AWG 2C, SJTOW 14AWG 2C, HPN 18AWG 2C  
H05VV-F 3G 0.75mm, H05VV-F 3G 1.00mm, H05VV-F 3G 1.50mm, H03VV-F 3G 0.75mm,  
H03VVH2-F 2X 0.75mm, H03VV-F 2X 0.75mm, H05VV-F 2X 0.75mm, H05VV-F 2X 1.0mm,  
H05VVH2-F 2X 0.75mm, RVV 3G 0.75mm, RVV 3G 1.00mm, RVV 2X 0.75mm, RVV 2X 1.0mm,  
RVV 2X 0.5mm, RVV 3G 0.5mm、RVV 3G 1.5mm、RVV 3G 2.5mm  
60227 IEC53 3C 0.75mm, 60227 IEC52 2C 0.75mm, 60245 IEC57 3C 0.75mm, 60245 IEC57 3C 1.0mm  
UL1007, UL1015, UL1185, UL2464, UL2468, UL2725, UL20276, UL3122, VSF  
RVB 2G 0.75mm, RVB 2G 1.0mm  
(H) VFF 2C 0.75mm, (H) VFF 2C 1.25mm, (H) VFF 2C 2.00mm,  
(H) VCTFK 2C 0.75mm, (H) VCTFK 2C 1.25mm, (H) VCTFK 2C 2.00mm,  
(H) VCTF 2C 0.75mm, (H) VCTF 2C 1.25mm, (H) VCTF 2C 2.00mm .  
(H) VCTF 3C 0.75mm, (H) VCTF 3C 1.25mm, (H) VCTF 3C 2.00mm  
HHFF 2C 0.75mm, HHFF 2C 1.25mm, HHFF 2C 2.00mm.  
PNCTF 3C 0.75mm、3C 1.25mm、3C 1.0mm、PNCTFK 2C 0.75mm、2C 1.0mm  
低煙無鹵 EN50306-4、YY 圓線 0.75/3、YY 扁線 0.75/2、SPT-1 18AWG 3C、

This document is issued by the Company subject to its General Conditions of Service printed overleaf, available on request or accessible at <https://www.sgs.com.tw/terms-of-service> and, for electronic format documents, subject to Terms and Conditions for Electronic Documents at <https://www.sgs.com.tw/terms-of-service>. Attention is drawn to the limitation of liability, indemnification and jurisdiction issues defined therein. Any holder of this document is advised that information contained hereon reflects the Company's findings at the time of its intervention only and within the limits of client's instruction, if any. The Company's sole responsibility is to its Client and this document does not exonerate parties to a transaction from exercising all their rights and obligations under the transaction documents. This document cannot be reproduced, except in full, without prior written approval of the Company. Any unauthorized alteration, forgery or falsification of the content or appearance of this document is unlawful and offenders may be prosecuted to the fullest extent of the law. Unless otherwise stated the results shown in this test report refer only to the sample(s) tested.

## 測試報告

# Test Report

號碼(No.): ETA22100116

日期(Date): 17-Jan-2022

頁數(Page): 3 of 14

瓦(巨)銘工業股份有限公司 (SELF-MAN INDUSTRIAL CO., LTD.)

基隆市七堵區俊賢路25號5樓 (5F, NO. 25, CHUN-HSIEN ROAD, CHI-TU DISTRICT, KEELUNG 206, TAIWAN)

### ( PLUG )

PLUG: SM-001, SH-001, SH-001Q, SH-015, SH-015T1, SH-015T2, SH-015T3, SH-015T4, SH-015A, SH-015B, SH-015D, SH-015R, SH-015S, SH-015Q, SM-045, SH-005, SH-018, SH-025, SH-037, SH-037A, SH-051, SH-052, SM-318, YP-22K, YP-24, YP-45, YP-46, YP-50, YP-51, YP-61, SW168, SM-003, YP-18, YP-48, YP-21, YP-12, SM-018, SM-318A, SH-015L, SH051R, SH053, SH056, SH055, SH1512, YP37, YP21K, SH015E, SM008, KD168, YP22, SH001K, SH018L2, SH030, SH032, YP80, YP57, SM001L, YP21A, SM009, SH009, YP81, SH081, SH019L, KD166 (英式組裝頭), SH062, YP33, YP32, JF1512, JF1503L, JF1535L, JF1535, YP04, SH030, SH032, SH064, SH008, YP61A, SM010, YP71, YP47, SH027, YP02L, SH005K, SH007K, JF1512L, JF0813L, SH006L-06

### ( OUTLET )

OUTLET: SM-006, SM-006L, SM-006L1, SM-006L2, SM-006L3, SH-006, SH-006L, SH-006L1, SH-006L2, SH-006L3, SM-103, SH-103, SM-104, SM-112, SM-112L, SH-112, SH-112L, YC-12, YC-12L, YC-13, YC-14, YC-21, SM-035, SH006R, SM104-1, SM103L, SH103L, SH006L4, YC18, SM006L4, SH063, SH006L-006, YC21, R301

This document is issued by the Company subject to its General Conditions of Service printed overleaf, available on request or accessible at <https://www.sgs.com.tw/terms-of-service> and, for electronic format documents, subject to Terms and Conditions for Electronic Documents at <https://www.sgs.com.tw/terms-of-service>. Attention is drawn to the limitation of liability, indemnification and jurisdiction issues defined therein. Any holder of this document is advised that information contained hereon reflects the Company's findings at the time of its intervention only and within the limits of client's instruction, if any. The Company's sole responsibility is to its Client and this document does not exonerate parties to a transaction from exercising all their rights and obligations under the transaction documents. This document cannot be reproduced, except in full, without prior written approval of the Company. Any unauthorized alteration, forgery or falsification of the content or appearance of this document is unlawful and offenders may be prosecuted to the fullest extent of the law. Unless otherwise stated the results shown in this test report refer only to the sample(s) tested.

# 測試報告

## Test Report

號碼(No.): ETA22100116

日期(Date): 17-Jan-2022

頁數(Page): 4 of 14

互(巨)銘工業股份有限公司 (SELF-MAN INDUSTRIAL CO., LTD.)

基隆市七堵區俊賢路25號5樓 (5F, NO. 25, CHUN-HSIEN ROAD, CHI-TU DISTRICT, KEELUNG 206, TAIWAN)

### 測試部位敘述 (Test Part Description)

No.1 : 整體混測 (MIXED ALL PARTS)

### 測試結果 (Test Results)

測試項目 (Test Items)	測試方法 (Method)	單位 (Unit)	MDL	結果 (Result)
				No.1
鎘 (Cd) (Cadmium (Cd)) (CAS No.: 7440-43-9)	參考IEC 62321-5: 2013 · 以感應耦合電漿發射光譜儀分析。(With reference to IEC 62321-5: 2013, analysis was performed by ICP-OES.)	mg/kg	2	n.d.
鉛 (Pb) (Lead (Pb)) (CAS No.: 7439-92-1)	參考IEC 62321-5: 2013 · 以感應耦合電漿發射光譜儀分析。(With reference to IEC 62321-5: 2013, analysis was performed by ICP-OES.)	mg/kg	2	34.7
汞 (Hg) (Mercury (Hg)) (CAS No.: 7439-97-6)	參考IEC 62321-4: 2013+ AMD1: 2017 · 以感應耦合電漿發射光譜儀分析。(With reference to IEC 62321-4: 2013+ AMD1: 2017, analysis was performed by ICP-OES.)	mg/kg	2	n.d.
六價鉻 Cr(VI) (Hexavalent Chromium Cr(VI)) (CAS No.: 18540-29-9)	參考IEC 62321-7-2: 2017 · 以紫外光-可見光分光光度計分析。(With reference to IEC 62321-7-2: 2017, analysis was performed by UV-VIS.)	mg/kg	8	n.d.
一溴聯苯 (Monobromobiphenyl)	參考IEC 62321-6: 2015 · 以氣相層析儀/質譜儀分析。(With reference to IEC 62321-6: 2015, analysis was performed by GC/MS.)	mg/kg	5	n.d.
二溴聯苯 (Dibromobiphenyl)		mg/kg	5	n.d.
三溴聯苯 (Tribromobiphenyl)		mg/kg	5	n.d.
四溴聯苯 (Tetrabromobiphenyl)		mg/kg	5	n.d.
五溴聯苯 (Pentabromobiphenyl)		mg/kg	5	n.d.
六溴聯苯 (Hexabromobiphenyl)		mg/kg	5	n.d.
七溴聯苯 (Heptabromobiphenyl)		mg/kg	5	n.d.
八溴聯苯 (Octabromobiphenyl)		mg/kg	5	n.d.
九溴聯苯 (Nonabromobiphenyl)		mg/kg	5	n.d.
十溴聯苯 (Decabromobiphenyl)		mg/kg	5	n.d.
多溴聯苯總和 (Sum of PBBs)		mg/kg	-	n.d.

This document is issued by the Company subject to its General Conditions of Service printed overleaf, available on request or accessible at <https://www.sgs.com.tw/terms-of-service> and, for electronic format documents, subject to Terms and Conditions for Electronic Documents at <https://www.sgs.com.tw/terms-of-service>. Attention is drawn to the limitation of liability, indemnification and jurisdiction issues defined therein. Any holder of this document is advised that information contained hereon reflects the Company's findings at the time of its intervention only and within the limits of client's instruction, if any. The Company's sole responsibility is to its Client and this document does not exonerate parties to a transaction from exercising all their rights and obligations under the transaction documents. This document cannot be reproduced, except in full, without prior written approval of the Company. Any unauthorized alteration, forgery or falsification of the content or appearance of this document is unlawful and offenders may be prosecuted to the fullest extent of the law. Unless otherwise stated the results shown in this test report refer only to the sample(s) tested.

# 測試報告

## Test Report

號碼(No.): ETA22100116

日期(Date): 17-Jan-2022

頁數(Page): 5 of 14

瓦(巨)銘工業股份有限公司 (SELF-MAN INDUSTRIAL CO., LTD.)

基隆市七堵區俊賢路25號5樓 (5F, NO. 25, CHUN-HSIEN ROAD, CHI-TU DISTRICT, KEELUNG 206, TAIWAN)

測試項目 (Test Items)	測試方法 (Method)	單位 (Unit)	MDL	結果 (Result)
				No.1
一溴聯苯醚 (Monobromodiphenyl ether)	參考IEC 62321-6: 2015 · 以氣相層析儀/質譜儀分析。(With reference to IEC 62321-6: 2015, analysis was performed by GC/MS.)	mg/kg	5	n.d.
二溴聯苯醚 (Dibromodiphenyl ether)		mg/kg	5	n.d.
三溴聯苯醚 (Tribromodiphenyl ether)		mg/kg	5	n.d.
四溴聯苯醚 (Tetrabromodiphenyl ether)		mg/kg	5	n.d.
五溴聯苯醚 (Pentabromodiphenyl ether)		mg/kg	5	n.d.
六溴聯苯醚 (Hexabromodiphenyl ether)		mg/kg	5	n.d.
七溴聯苯醚 (Heptabromodiphenyl ether)		mg/kg	5	n.d.
八溴聯苯醚 (Octabromodiphenyl ether)		mg/kg	5	n.d.
九溴聯苯醚 (Nonabromodiphenyl ether)		mg/kg	5	n.d.
十溴聯苯醚 (Decabromodiphenyl ether)		mg/kg	5	n.d.
多溴聯苯醚總和 (Sum of PBDEs)		mg/kg	-	n.d.
鄰苯二甲酸丁苯甲酯 (BBP) (Butyl benzyl phthalate (BBP)) (CAS No.: 85-68-7)	參考IEC 62321-8: 2017 · 以氣相層析儀/質譜儀分析。(With reference to IEC 62321-8: 2017, analysis was performed by GC/MS.)	mg/kg	50	n.d.
鄰苯二甲酸二丁酯 (DBP) (Dibutyl phthalate (DBP)) (CAS No.: 84-74-2)		mg/kg	50	n.d.
鄰苯二甲酸二(2-乙基己基)酯 (DEHP) (Di-(2-ethylhexyl) phthalate (DEHP)) (CAS No.: 117-81-7)		mg/kg	50	n.d.
鄰苯二甲酸二異丁酯 (DIBP) (Diisobutyl phthalate (DIBP)) (CAS No.: 84-69-5)		mg/kg	50	n.d.
全氟辛烷磺酸及其鹽類 (PFOS and its salts) (CAS No.: 1763-23-1 and its salts)	參考CEN/TS 15968: 2010 · 以液相層析串聯質譜儀分析。(With reference to CEN/TS 15968: 2010, analysis was performed by LC/MS/MS.)	mg/kg	0.01	n.d.
N-乙基全氟正辛磺醯胺 (EtFOSA) (N-ethylperfluoro-1-octanesulfonamide (EtFOSA)) (CAS No.: 4151-50-2)	參考CEN/TS 15968: 2010 · 以液相層析串聯質譜儀分析。(With reference to CEN/TS 15968: 2010, analysis was performed by LC/MS/MS.)	mg/kg	0.01	n.d.
N-甲基全氟正辛磺醯胺 (N-Me-FOSA) (N-Methyl-Perfluorooctanesulfonamide (N-Me-FOSA)) (CAS No.: 31506-32-8)	參考CEN/TS 15968: 2010 · 以液相層析串聯質譜儀分析。(With reference to CEN/TS 15968: 2010, analysis was performed by LC/MS/MS.)	mg/kg	0.01	n.d.

This document is issued by the Company subject to its General Conditions of Service printed overleaf, available on request or accessible at <https://www.sgs.com.tw/terms-of-service> and, for electronic format documents, subject to Terms and Conditions for Electronic Documents at <https://www.sgs.com.tw/terms-of-service>. Attention is drawn to the limitation of liability, indemnification and jurisdiction issues defined therein. Any holder of this document is advised that information contained hereon reflects the Company's findings at the time of its intervention only and within the limits of client's instruction, if any. The Company's sole responsibility is to its Client and this document does not exonerate parties to a transaction from exercising all their rights and obligations under the transaction documents. This document cannot be reproduced, except in full, without prior written approval of the Company. Any unauthorized alteration, forgery or falsification of the content or appearance of this document is unlawful and offenders may be prosecuted to the fullest extent of the law. Unless otherwise stated the results shown in this test report refer only to the sample(s) tested.

# 測試報告

## Test Report

號碼(No.): ETA22100116

日期(Date): 17-Jan-2022

頁數(Page): 6 of 14

互(巨)銘工業股份有限公司 (SELF-MAN INDUSTRIAL CO., LTD.)

基隆市七堵區俊賢路25號5樓 (5F, NO. 25, CHUN-HSIEN ROAD, CHI-TU DISTRICT, KEELUNG 206, TAIWAN)

測試項目 (Test Items)	測試方法 (Method)	單位 (Unit)	MDL	結果 (Result)
				No.1
N-乙基全氟辛基磺醯胺乙醇 (N-Et-FOSE alcohol) (N-Ethyl-Perfluorooctanesulfonamidoethanol (N-Et-FOSE alcohol)) (CAS No.: 1691-99-2)	參考CEN/TS 15968: 2010 · 以液相層析串聯質譜儀分析。(With reference to CEN/TS 15968: 2010, analysis was performed by LC/MS/MS.)	mg/kg	0.01	n.d.
N-甲基全氟辛基磺醯胺乙醇 (N-Me-FOSE alcohol) (N-Methyl-Perfluorooctanesulfonamidoethanol (N-Me-FOSE alcohol)) (CAS No.: 24448-09-7)	參考CEN/TS 15968: 2010 · 以液相層析串聯質譜儀分析。(With reference to CEN/TS 15968: 2010, analysis was performed by LC/MS/MS.)	mg/kg	0.01	n.d.
全氟辛基磺醯胺 (PFOSA) (Perfluorooctanesulfonamide (PFOSA)) (CAS No.: 754-91-6)	參考CEN/TS 15968: 2010 · 以液相層析串聯質譜儀分析。(With reference to CEN/TS 15968: 2010, analysis was performed by LC/MS/MS.)	mg/kg	0.01	n.d.
全氟辛酸及其鹽類 (PFOA and its salts) (CAS No.: 335-67-1 and its salts)	參考CEN/TS 15968: 2010 · 以液相層析串聯質譜儀分析。(With reference to CEN/TS 15968: 2010, analysis was performed by LC/MS/MS.)	mg/kg	0.01	n.d.
1H,1H,2H,2H-全氟癸磺酸 (8:2 FTS) (1H,1H,2H,2H-Perfluorodecanesulfonic acid (8:2 FTS)) (CAS No.: 39108-34-4)	參考CEN/TS 15968: 2010 · 以液相層析串聯質譜儀分析。(With reference to CEN/TS 15968: 2010, analysis was performed by LC/MS/MS.)	mg/kg	0.01	n.d.
全氟辛酸甲酯 (Me-PFOA) (Methyl perfluorooctanoate (Me-PFOA)) (CAS No.: 376-27-2)	參考CEN/TS 15968: 2010 · 以氣相層析儀/質譜儀分析。(With reference to CEN/TS 15968: 2010, analysis was performed by GC/MS.)	mg/kg	0.1	n.d.
全氟辛酸乙酯 (Et-PFOA) (Ethyl perfluorooctanoate (Et-PFOA)) (CAS No.: 3108-24-5)	參考CEN/TS 15968: 2010 · 以氣相層析儀/質譜儀分析。(With reference to CEN/TS 15968: 2010, analysis was performed by GC/MS.)	mg/kg	0.1	n.d.
1H,1H,2H,2H-全氟-1-癸醇 (8:2 FTOH) (1H,1H,2H,2H-Perfluoro-1-decanol (8:2 FTOH)) (CAS No.: 678-39-7)	參考CEN/TS 15968: 2010 · 以氣相層析儀/質譜儀分析。(With reference to CEN/TS 15968: 2010, analysis was performed by GC/MS.)	mg/kg	0.1	n.d.
1H,1H,2H,2H-全氟癸基丙烯酸酯 (8:2 FTA) (1H,1H,2H,2H-Perfluorodecyl acrylate (8:2 FTA)) (CAS No.: 27905-45-9)	參考CEN/TS 15968: 2010 · 以氣相層析儀/質譜儀分析。(With reference to CEN/TS 15968: 2010, analysis was performed by GC/MS.)	mg/kg	0.1	n.d.

This document is issued by the Company subject to its General Conditions of Service printed overleaf, available on request or accessible at <https://www.sgs.com.tw/terms-of-service> and, for electronic format documents, subject to Terms and Conditions for Electronic Documents at <https://www.sgs.com.tw/terms-of-service>. Attention is drawn to the limitation of liability, indemnification and jurisdiction issues defined therein. Any holder of this document is advised that information contained hereon reflects the Company's findings at the time of its intervention only and within the limits of client's instruction, if any. The Company's sole responsibility is to its Client and this document does not exonerate parties to a transaction from exercising all their rights and obligations under the transaction documents. This document cannot be reproduced, except in full, without prior written approval of the Company. Any unauthorized alteration, forgery or falsification of the content or appearance of this document is unlawful and offenders may be prosecuted to the fullest extent of the law. Unless otherwise stated the results shown in this test report refer only to the sample(s) tested.

# 測試報告

## Test Report

號碼(No.): ETA22100116

日期(Date): 17-Jan-2022

頁數(Page): 7 of 14

瓦(巨)銘工業股份有限公司 (SELF-MAN INDUSTRIAL CO., LTD.)

基隆市七堵區俊賢路25號5樓 (5F, NO. 25, CHUN-HSIEN ROAD, CHI-TU DISTRICT, KEELUNG 206, TAIWAN)

測試項目 (Test Items)	測試方法 (Method)	單位 (Unit)	MDL	結果 (Result)
				No.1
1H,1H,2H,2H-全氟癸基甲基丙烯酸鹽 (8:2 FTMA) (1H,1H,2H,2H-Perfluorodecyl methacrylate (8:2 FTMA)) (CAS No.: 1996-88-9)	參考CEN/TS 15968: 2010 · 以氣相層析儀/質譜儀分析。(With reference to CEN/TS 15968: 2010, analysis was performed by GC/MS.)	mg/kg	0.1	n.d.
全氟辛基碘烷 (PFOI) (Perfluoro-1-iodooctane (PFOI)) (CAS No.: 507-63-1)	參考CEN/TS 15968: 2010 · 以氣相層析儀/質譜儀分析。(With reference to CEN/TS 15968: 2010, analysis was performed by GC/MS.)	mg/kg	0.1	n.d.
<b>多環芳香烴 (Polycyclic Aromatic Hydrocarbons) (PAHs)</b>				
苯駢(a)芘 (Benzo[a]pyrene) (CAS No.: 50-32-8)	參考AfPS GS 2019:01 PAK · 以氣相層析儀/質譜儀分析。(With reference to AfPS GS 2019:01 PAK, analysis was performed by GC/MS.)	mg/kg	0.2	n.d.
苯駢(e)芘 (Benzo[e]pyrene) (CAS No.: 192-97-2)		mg/kg	0.2	n.d.
苯駢蔥 (Benzo[a]anthracene) (CAS No.: 56-55-3)		mg/kg	0.2	n.d.
苯(b)苯駢芴 (Benzo[b]fluoranthene) (CAS No.: 205-99-2)		mg/kg	0.2	n.d.
苯(j)苯駢芴 (Benzo[j]fluoranthene) (CAS No.: 205-82-3)		mg/kg	0.2	n.d.
苯(k)苯駢芴 (Benzo[k]fluoranthene) (CAS No.: 207-08-9)		mg/kg	0.2	n.d.
蒽 (Chrysene) (CAS No.: 218-01-9)		mg/kg	0.2	n.d.
二苯駢蔥 (Dibenzo[a,h]anthracene) (CAS No.: 53-70-3)		mg/kg	0.2	n.d.
苯駢芘 (Benzo[g,h,i]perylene) (CAS No.: 191-24-2)		mg/kg	0.2	n.d.
茛萘 (Indeno[1,2,3-c,d]pyrene) (CAS No.: 193-39-5)		mg/kg	0.2	n.d.
蔥 (Anthracene) (CAS No.: 120-12-7)		mg/kg	0.2	n.d.
苯駢芴 (Fluoranthene) (CAS No.: 206-44-0)		mg/kg	0.2	n.d.
菲 (Phenanthrene) (CAS No.: 85-01-8)		mg/kg	0.2	n.d.
芘 (Pyrene) (CAS No.: 129-00-0)		mg/kg	0.2	n.d.
萘 (Naphthalene) (CAS No.: 91-20-3)		mg/kg	0.2	n.d.
多環芳香烴15項總和 (Sum of 15 PAHs)		mg/kg	-	n.d.

This document is issued by the Company subject to its General Conditions of Service printed overleaf, available on request or accessible at <https://www.sgs.com.tw/terms-of-service> and, for electronic format documents, subject to Terms and Conditions for Electronic Documents at <https://www.sgs.com.tw/terms-of-service>. Attention is drawn to the limitation of liability, indemnification and jurisdiction issues defined therein. Any holder of this document is advised that information contained hereon reflects the Company's findings at the time of its intervention only and within the limits of client's instruction, if any. The Company's sole responsibility is to its Client and this document does not exonerate parties to a transaction from exercising all their rights and obligations under the transaction documents. This document cannot be reproduced, except in full, without prior written approval of the Company. Any unauthorized alteration, forgery or falsification of the content or appearance of this document is unlawful and offenders may be prosecuted to the fullest extent of the law. Unless otherwise stated the results shown in this test report refer only to the sample(s) tested.





## 測試報告

# Test Report

號碼(No.): ETA22100116

日期(Date): 17-Jan-2022

頁數(Page): 8 of 14

瓦(巨)銘工業股份有限公司 (SELF-MAN INDUSTRIAL CO., LTD.)

基隆市七堵區俊賢路25號5樓 (5F, NO. 25, CHUN-HSIEN ROAD, CHI-TU DISTRICT, KEELUNG 206, TAIWAN)

### 備註(Note) :

1. mg/kg = ppm ; 0.1wt% = 1000ppm
2. MDL = Method Detection Limit (方法偵測極限值)
3. n.d. = Not Detected (未檢出) ; 小於MDL / Less than MDL
4. "-" = Not Regulated (無規格值)
5. 全氟辛烷磺酸及其鹽類包含 (PFOS and its salts including) :  
CAS No.: 29081-56-9, 2795-39-3, 29457-72-5, 70225-14-8, 56773-42-3, 251099-16-8, 307-35-7.
6. 全氟辛酸及其鹽類包含 (PFOA and its salts including) :  
CAS No.: 3825-26-1, 335-95-5, 2395-00-8, 335-93-3, 335-66-0.
7. 樣品的測試是基於申請人要求混合測試 · 報告中的混合測試結果不代表其中個別單一材質的含量。  
The sample(s) was/were analyzed on behalf of the applicant as mixing sample in one testing. The above result(s) was/were only given as the informality value.

This document is issued by the Company subject to its General Conditions of Service printed overleaf, available on request or accessible at <https://www.sgs.com.tw/terms-of-service> and, for electronic format documents, subject to Terms and Conditions for Electronic Documents at <https://www.sgs.com.tw/terms-of-service>. Attention is drawn to the limitation of liability, indemnification and jurisdiction issues defined therein. Any holder of this document is advised that information contained hereon reflects the Company's findings at the time of its intervention only and within the limits of client's instruction, if any. The Company's sole responsibility is to its Client and this document does not exonerate parties to a transaction from exercising all their rights and obligations under the transaction documents. This document cannot be reproduced, except in full, without prior written approval of the Company. Any unauthorized alteration, forgery or falsification of the content or appearance of this document is unlawful and offenders may be prosecuted to the fullest extent of the law. Unless otherwise stated the results shown in this test report refer only to the sample(s) tested.

# 測試報告

## Test Report

號碼(No.): ETA22100116

日期(Date): 17-Jan-2022

頁數(Page): 9 of 14

瓦(巨)銘工業股份有限公司 (SELF-MAN INDUSTRIAL CO., LTD.)

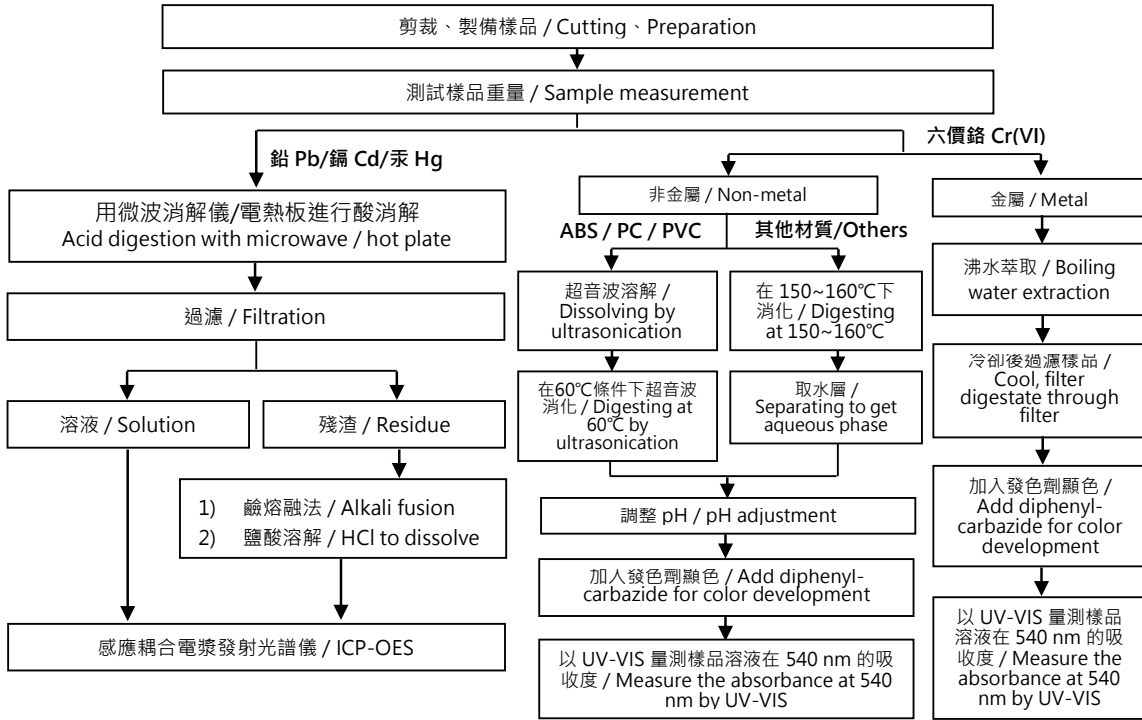
基隆市七堵區俊賢路25號5樓 (5F, NO. 25, CHUN-HSIEN ROAD, CHI-TU DISTRICT, KEELUNG 206, TAIWAN)

### 重金屬流程圖 / Analytical flow chart of Heavy Metal

根據以下的流程圖之條件，樣品已完全溶解。(六價鉻測試方法除外)

These samples were dissolved totally by pre-conditioning method according to below flow chart.

(Cr<sup>6+</sup> test method excluded)



This document is issued by the Company subject to its General Conditions of Service printed overleaf, available on request or accessible at <https://www.sgs.com.tw/terms-of-service> and, for electronic format documents, subject to Terms and Conditions for Electronic Documents at <https://www.sgs.com.tw/terms-of-service>. Attention is drawn to the limitation of liability, indemnification and jurisdiction issues defined therein. Any holder of this document is advised that information contained hereon reflects the Company's findings at the time of its intervention only and within the limits of client's instruction, if any. The Company's sole responsibility is to its Client and this document does not exonerate parties to a transaction from exercising all their rights and obligations under the transaction documents. This document cannot be reproduced, except in full, without prior written approval of the Company. Any unauthorized alteration, forgery or falsification of the content or appearance of this document is unlawful and offenders may be prosecuted to the fullest extent of the law. Unless otherwise stated the results shown in this test report refer only to the sample(s) tested.

# 測試報告

## Test Report

號碼(No.): ETA22100116

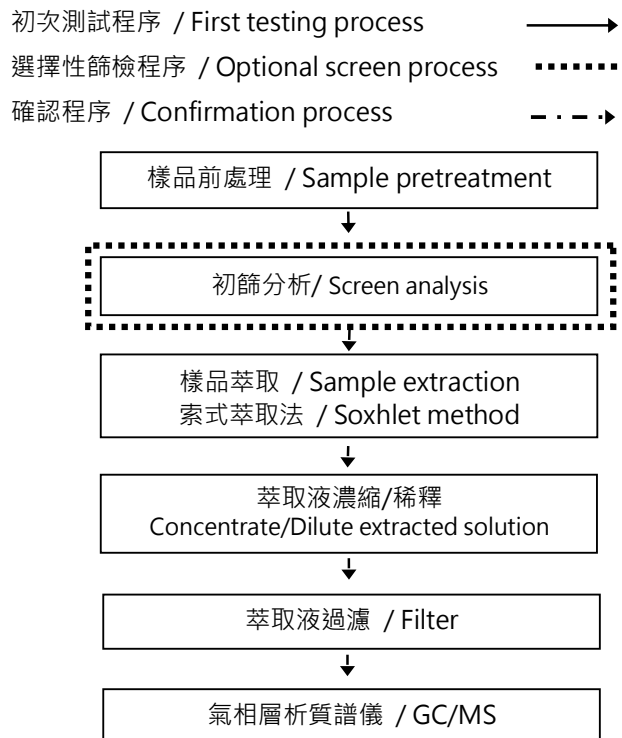
日期(Date): 17-Jan-2022

頁數(Page): 10 of 14

瓦(巨)銘工業股份有限公司 (SELF-MAN INDUSTRIAL CO., LTD.)

基隆市七堵區俊賢路25號5樓 (5F, NO. 25, CHUN-HSIEN ROAD, CHI-TU DISTRICT, KEELUNG 206, TAIWAN)

### 多溴聯苯/多溴聯苯醚分析流程圖 / Analytical flow chart - PBBs/PBDEs



This document is issued by the Company subject to its General Conditions of Service printed overleaf, available on request or accessible at <https://www.sgs.com.tw/terms-of-service> and, for electronic format documents, subject to Terms and Conditions for Electronic Documents at <https://www.sgs.com.tw/terms-of-service>. Attention is drawn to the limitation of liability, indemnification and jurisdiction issues defined therein. Any holder of this document is advised that information contained hereon reflects the Company's findings at the time of its intervention only and within the limits of client's instruction, if any. The Company's sole responsibility is to its Client and this document does not exonerate parties to a transaction from exercising all their rights and obligations under the transaction documents. This document cannot be reproduced, except in full, without prior written approval of the Company. Any unauthorized alteration, forgery or falsification of the content or appearance of this document is unlawful and offenders may be prosecuted to the fullest extent of the law. Unless otherwise stated the results shown in this test report refer only to the sample(s) tested.

## 測試報告

## Test Report

號碼(No.): ETA22100116

日期(Date): 17-Jan-2022

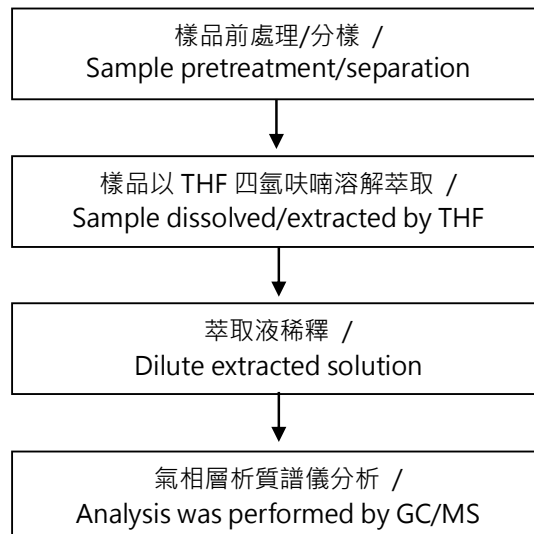
頁數(Page): 11 of 14

瓦(巨)銘工業股份有限公司 (SELF-MAN INDUSTRIAL CO., LTD.)

基隆市七堵區俊賢路25號5樓 (5F, NO. 25, CHUN-HSIEN ROAD, CHI-TU DISTRICT, KEELUNG 206, TAIWAN)

### 可塑劑分析流程圖 / Analytical flow chart - Phthalate

#### 【測試方法/Test method: IEC 62321-8】



This document is issued by the Company subject to its General Conditions of Service printed overleaf, available on request or accessible at <https://www.sgs.com.tw/terms-of-service> and, for electronic format documents, subject to Terms and Conditions for Electronic Documents at <https://www.sgs.com.tw/terms-of-service>. Attention is drawn to the limitation of liability, indemnification and jurisdiction issues defined therein. Any holder of this document is advised that information contained hereon reflects the Company's findings at the time of its intervention only and within the limits of client's instruction, if any. The Company's sole responsibility is to its Client and this document does not exonerate parties to a transaction from exercising all their rights and obligations under the transaction documents. This document cannot be reproduced, except in full, without prior written approval of the Company. Any unauthorized alteration, forgery or falsification of the content or appearance of this document is unlawful and offenders may be prosecuted to the fullest extent of the law. Unless otherwise stated the results shown in this test report refer only to the sample(s) tested.

## 測試報告

## Test Report

號碼(No.): ETA22100116

日期(Date): 17-Jan-2022

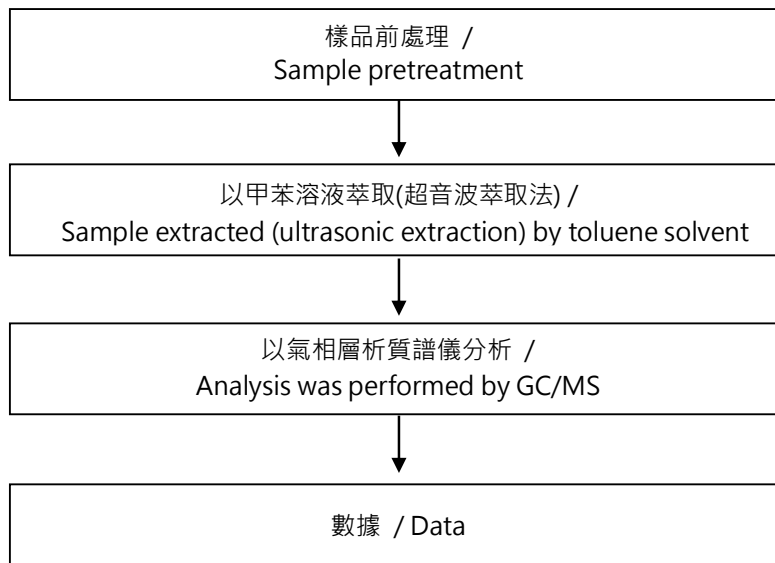
頁數(Page): 12 of 14

瓦(巨)銘工業股份有限公司 (SELF-MAN INDUSTRIAL CO., LTD.)

基隆市七堵區俊賢路25號5樓 (5F, NO. 25, CHUN-HSIEN ROAD, CHI-TU DISTRICT, KEELUNG 206, TAIWAN)

### 多環芳香烴分析流程圖 /

### Analytical flow chart - PAHs (Polycyclic Aromatic Hydrocarbons)



This document is issued by the Company subject to its General Conditions of Service printed overleaf, available on request or accessible at <https://www.sgs.com.tw/terms-of-service> and, for electronic format documents, subject to Terms and Conditions for Electronic Documents at <https://www.sgs.com.tw/terms-of-service>. Attention is drawn to the limitation of liability, indemnification and jurisdiction issues defined therein. Any holder of this document is advised that information contained hereon reflects the Company's findings at the time of its intervention only and within the limits of client's instruction, if any. The Company's sole responsibility is to its Client and this document does not exonerate parties to a transaction from exercising all their rights and obligations under the transaction documents. This document cannot be reproduced, except in full, without prior written approval of the Company. Any unauthorized alteration, forgery or falsification of the content or appearance of this document is unlawful and offenders may be prosecuted to the fullest extent of the law. Unless otherwise stated the results shown in this test report refer only to the sample(s) tested.

# 測試報告

## Test Report

號碼(No.): ETA22100116

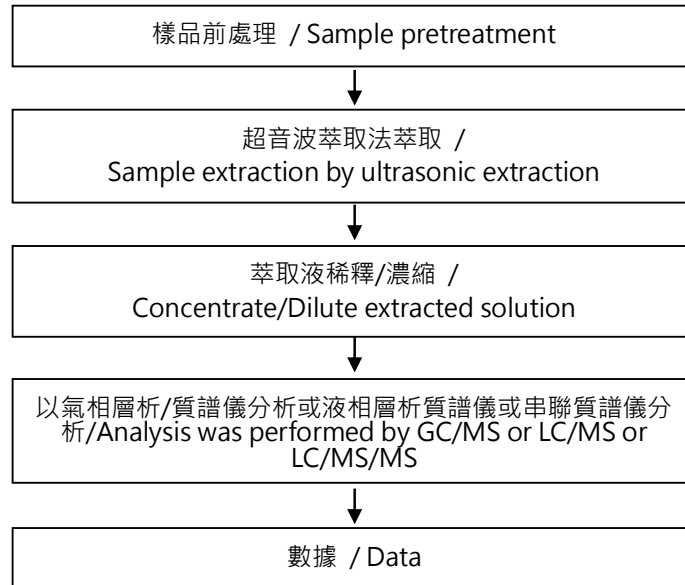
日期(Date): 17-Jan-2022

頁數(Page): 13 of 14

瓦(巨)銘工業股份有限公司 (SELF-MAN INDUSTRIAL CO., LTD.)

基隆市七堵區俊賢路25號5樓 (5F, NO. 25, CHUN-HSIEN ROAD, CHI-TU DISTRICT, KEELUNG 206, TAIWAN)

### 全氟化合物(包含全氟辛酸/全氟辛烷磺酸/其相關化合物等等)分析流程圖 / Analytical flow chart – PFAS (including PFOA/PFOS/its related compound, etc.)



This document is issued by the Company subject to its General Conditions of Service printed overleaf, available on request or accessible at <https://www.sgs.com.tw/terms-of-service> and, for electronic format documents, subject to Terms and Conditions for Electronic Documents at <https://www.sgs.com.tw/terms-of-service>. Attention is drawn to the limitation of liability, indemnification and jurisdiction issues defined therein. Any holder of this document is advised that information contained hereon reflects the Company's findings at the time of its intervention only and within the limits of client's instruction, if any. The Company's sole responsibility is to its Client and this document does not exonerate parties to a transaction from exercising all their rights and obligations under the transaction documents. This document cannot be reproduced, except in full, without prior written approval of the Company. Any unauthorized alteration, forgery or falsification of the content or appearance of this document is unlawful and offenders may be prosecuted to the fullest extent of the law. Unless otherwise stated the results shown in this test report refer only to the sample(s) tested.

## 測試報告

## Test Report

號碼(No.): ETA22100116

日期(Date): 17-Jan-2022

頁數(Page): 14 of 14

瓦(巨)銘工業股份有限公司 (SELF-MAN INDUSTRIAL CO., LTD.)

基隆市七堵區俊賢路25號5樓 (5F, NO. 25, CHUN-HSIEN ROAD, CHI-TU DISTRICT, KEELUNG 206, TAIWAN)

\* 照片中如有箭頭標示，則表示為實際檢測之樣品/部位。  
(The tested sample / part is marked by an arrow if it's shown on the photo.)

### ETA22100116



\*\* 報告結尾 (End of Report) \*\*

This document is issued by the Company subject to its General Conditions of Service printed overleaf, available on request or accessible at <https://www.sgs.com.tw/terms-of-service> and, for electronic format documents, subject to Terms and Conditions for Electronic Documents at <https://www.sgs.com.tw/terms-of-service>. Attention is drawn to the limitation of liability, indemnification and jurisdiction issues defined therein. Any holder of this document is advised that information contained hereon reflects the Company's findings at the time of its intervention only and within the limits of client's instruction, if any. The Company's sole responsibility is to its Client and this document does not exonerate parties to a transaction from exercising all their rights and obligations under the transaction documents. This document cannot be reproduced, except in full, without prior written approval of the Company. Any unauthorized alteration, forgery or falsification of the content or appearance of this document is unlawful and offenders may be prosecuted to the fullest extent of the law. Unless otherwise stated the results shown in this test report refer only to the sample(s) tested.