



承	認	書
CUSTOMER	APPROVAL	SHEET

客 戶
CUSTOMER

深圳峰云科技

品 名
DESCRIPTION

YP22K+YC12

客 戶 料 號
CUSTOMER PART NO

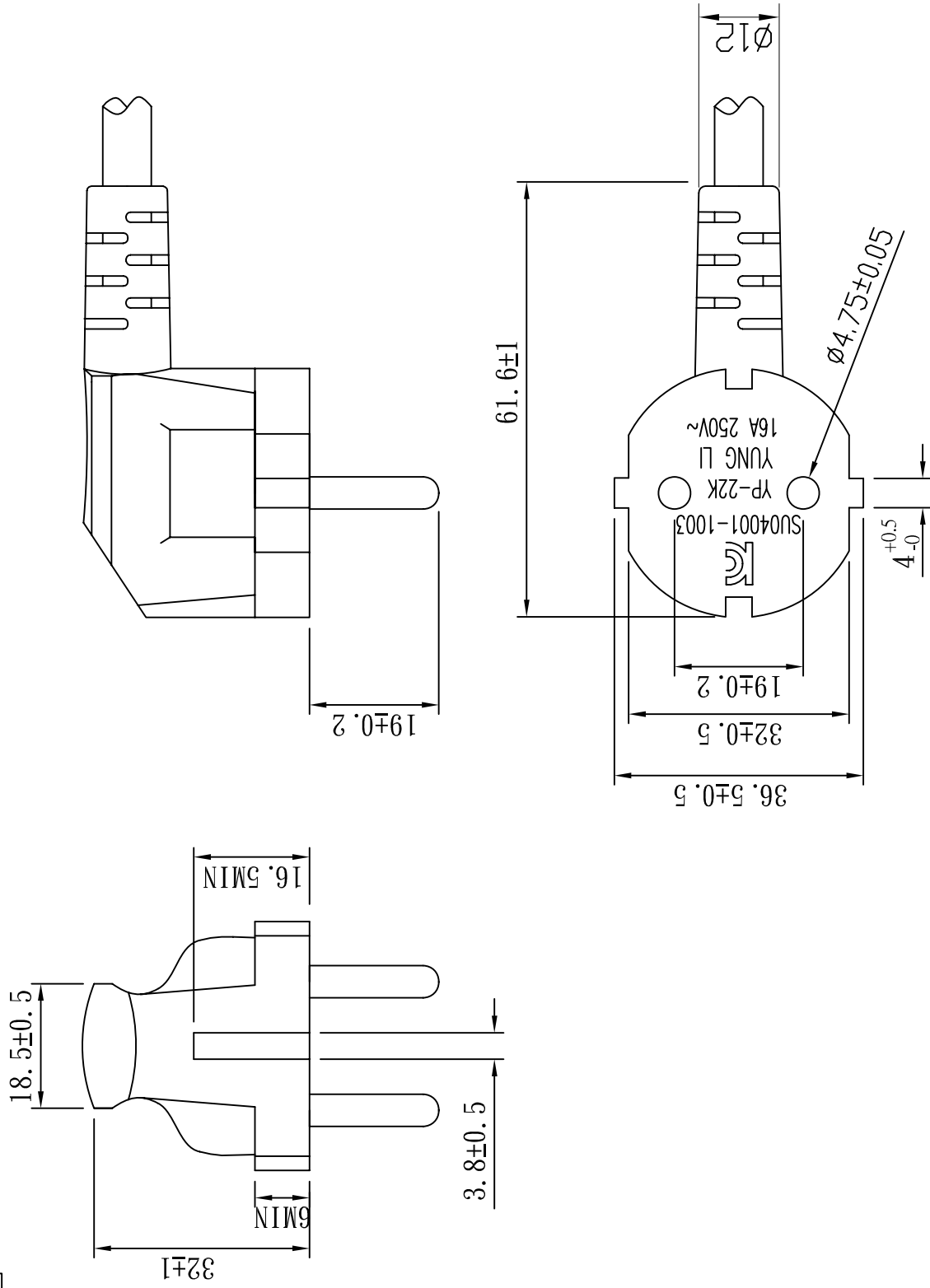
B786H252

YP22K+YC12

目錄

序號	文件檔案名稱	認證單位	認證號碼	頁碼	備註
1	目錄	-----	-----	P1	
2	產品全圖	-----	-----	P2	
3	YP22K插頭圖	-----	-----	P3	
4	YC12插頭圖	-----	-----	P4	
5	依賴性測試報告	-----	-----	P5.6.7.8.9	
6	YP22K認證資料	KTL	SU04001-1003B	P10.11.12.13	
7	YC12認證資料	KTL	SU04001-1002A	P14.15.16	
8	線材廠商認證資料	永力	KTL	SU01027-4002	P17.18
9	成品SGS報告	-----	-----	P19~32	

插頭尺寸圖



核准	蘇州瓦銘電子器材有限公司	單位	mm	比例	B
審核	Suzhou Self-Man Electronics Industry Co., Ltd.	圖名	YP22K	廠次	
設計		製圖	Ling	日期	10/12/23
製圖		Angle	±1°		
一般公差	±0.3				
>0.0	±0.5				
>1.0	±1.0				
>10.0	±2.0				
>20.0					

SPECIFICATION

TYPE	DESCRIPTION	PART NO.	PAGE
YP22K/YC12	POWER SUPPLY CORD		1 of 5

1. SCOPE:

This specification applies to POWER SUPPLY CORD which are in compliance with The KOREA 3303 and IEC60320-C7 standard.

2. Standard of applicable	Type	Max.voltages	Max.current
2.1 plug	YP22K	250V	16A
2.2 connector	YC12	250V	10A
2.3 cord	KOREA:H05VV-F 3X0.75mm ²		

3. TEST CONDITION: This test and measurement, unless otherwise specified shall be carried out at a temperature of 15 to 35 , relative humidity of 25% to 85%, and atmospheric pressure of 86kpa to 106kpa.
 However, when any doubt arises on the judgement value under it the test and measurement shall be carried out at a temperature of 20±2 , relative humidity of 60% to 70%, and atmospheric pressure of 86kpa to 106kpa.

4. ELECTRICAL PERFORMANCE

NO.	Item	Test condition	Requirement
4-1	Dielectric Withstanding Voltage test	(a) In this air (20±5) AC2000V is applied between a conductor and other conductor for 1 second. (b) Immersed in water(20±5) AC1000V is applied between a conductor and other conductor for 1 minute	No breakage No breakage
4-2	Current and Polarity test		No problem with Conductor

SPECIFICATION

TYPE	DESCRIPTION	PART NO.	PAGE
YP22K/YC12	POWER SUPPLY CORD		2 of 5

4. ELECTRICAL PERFORMANCE

NO.	Item	Test condition	Requirement
4-3	Insulation resistance test	In the air 20 ~60 DC 500V	5M MIN
4-4	Conductor resistance test	In the air 20 ~60	25.1 /km MAX

5. MECHANICAL PERFORMANCE

NO.	Item	Test condition	Requirement
5-1	Tensile strength (initial sample)	insulation	15LBS/2min
5-2	Deformation test	Exposure to 120±3 atmosphere for 0.5H Weight 510g	The thickness of sample shall not decrease more than 50%
5-3	Accelerated Aging test	Exposure to 75±2 , atmosphere for 168 hours under natural ventilation.	No crack mucus mark wire exposure short and opposite polarity

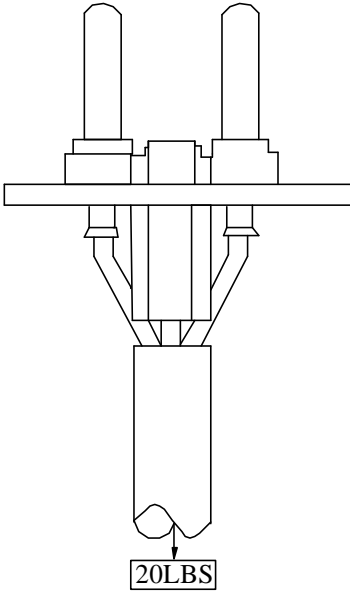
SPECIFICATION

TYPE	DESCRIPTION	PART NO.	PAGE
YP22K/YC12	POWER SUPPLY CORD		3 of 5

5. MECHANICAL PERFORMANCE(CORD)

NO.	Item	Test condition	Requirement
5-4	Input & output Force to connector	It is tested after taking the action of 10time Input & output.	Applied force is 1~6kg

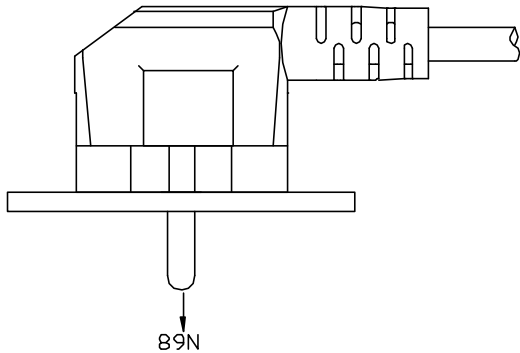
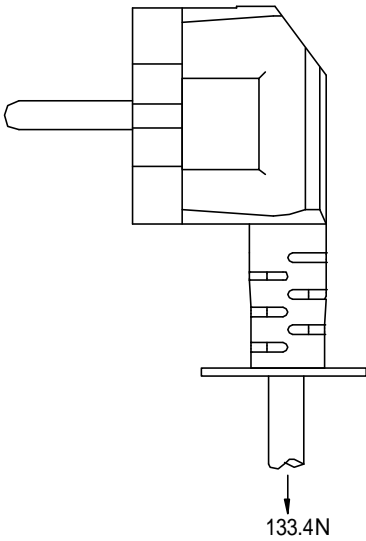
6. MECHANICAL PERFORMANCE

NO.	Item	Test condition	Requirement
6-1	Pulling out force of conductor	<p>The connector between blade terminal and conductor shall not break under a pull force of 20lbs for 1 minute</p> <div style="text-align: center;">  </div>	Blade can not fall down

SPECIFICATION

TYPE	DESCRIPTION	PART NO.	PAGE
YP22K/YC12	POWER SUPPLY CORD		4 of 5

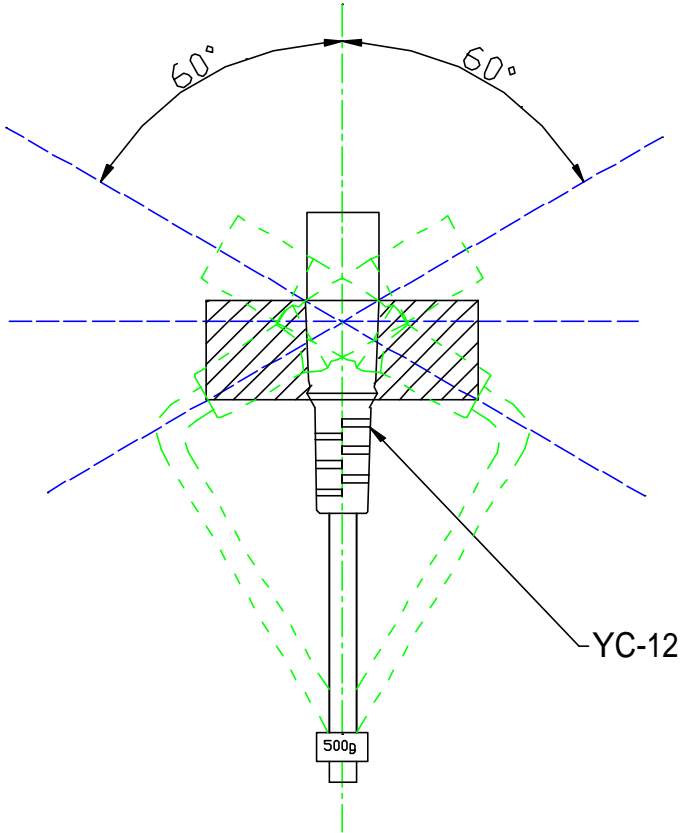
6. MECHANICAL PERFORMANCE

NO.	Item	Test condition	Requirement
6-2	Pulling out force of blades	<p>The attachment plug is supported on a horizontal steel plate with the blades down ward through a hole sufficiently large just to permit the blades to pass through it a weight than exert 89N force for two minutes is to be supported by each blade in succession.</p> 	<p>The residual displacement of either blade must not more than 2.4mm after 2 minutes of load.</p>
6-3	Pulling out force of cord	<p>The joint in flexible cord is to be securely supported by a rigid flat mounted horizontally, a pull of 133.4N weight for one minute to the flexible cord</p> 	<p>No looseness</p>

SPECIFICATION

TYPE	DESCRIPTION	PART NO.	PAGE
YP22K/YC12	POWER SUPPLY CORD		5 of 5

6.MECHANICAL PERFORMANCE

NO.	Item	Test condition	Requirement
6-4	Bending force	<p>The power supply cord division is fixing and load Of 500g is added to a tip of a cable. It is made to do 20000times bending on right and left each 60 ° (bending speed 40 times/minute)</p> <div style="text-align: center;">  </div>	Breaking rate is under 30%

접수번호 : 11-1920-6944
(Receipt No.)



전기용품안전인증서

Electrical Appliances Safety Certificate

안전인증번호 : SU04001-1003B
(Certificate No.)

제조업자명 : Yung-Li Co., Ltd.
(Factory)

대표자명 : Mr. David Lai
(President)

제조공장소재지 : Da Pu Industrial Zone, Chang Ping Town, Dong Guan City,
(Factory Address) Guang Dong 523571, P.R.China

제품명 : 일반플러그 (General Plug)
(Product)

기본모델명 : YP-22K
(Basic Model)

정격 : AC250V, 16A
(Rating)

파생모델명 : YP-23K
(Series Model)

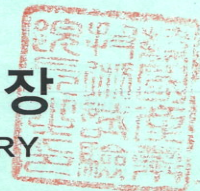
적용기준 : K60884-1(2009-06), KSC8305(2008-09)
(Standard)

「전기용품안전 관리법 시행규칙」 제6조제2항에 따라 위의 전기용품에 대하여
안전인증서를 발급합니다.

We Issue Electrical Appliances Safety Certification as above product by Article 6 Section 2
of the Electrical Appliances Safety Control Law Enforcement Regulation.

2011년 12월 07일
year month day

ktl 한국산업기술시험원장
KOREA TESTING LABORATORY



※ 이 인증서는 「전기용품안전 관리법」에 따른 전기용품 안전성 확인에 한정된 것이며, 그 밖의 다른
법률이 적용되는 제품의 경우에는 해당 법률에 따라 추가로 인증·허가 등을 받아야 합니다.

- 첨부 : 1. 안전관리부품 및 재질목록 (List of Critical Components)
(Annex) 2. 기본모델·파생모델의 내용 (General Descriptions of Certified Products)
3. 전기용품안전인증의 변경 현황 (Status of Certificate Revisions)

첨부 1 : 안전관리부품 및 재질목록
 List of Critical Components

부품명(회로기호) Component(Part no.)	제조사(상표명) Manufacturer(Brand)	모델명(형식) Model(Type)	정격 또는 특성 Rating or Characteristics	인증마크 Tested by
Power cord	Yung Li	60227 IEC 52 (H03VV-F)	3G 0.75 mm ²	EK
		60227 IEC 53 (H05VV-F)	3G 0.75 mm ²	
			3G 1.0 mm ²	
			3G 1.5 mm ²	

유의사항 (Attention) :

- 안전관리부품은 전기적인 안전에 직접적인 영향을 주는 부품으로서 안전인증기관이 정기공장검사 시 확인 관리 하는 사항입니다. 따라서 상기목록에 기재된 사항을 변경하거나 또는 복수등재를 원하시는 경우는 안전인증기관에 인증변경신청을 하여야 합니다.

As the "Critical components" are parts in directly related with safety, these components shall be checked during a factory inspection by the certification body. In case of applying multiful listing or changing the items above, the certification revision shall be applied.

- 인증변경신청 없이 임의로 변경하는 경우는, 전기용품안전관리법 제 8 조제 1 항의 규정에 의한 안전인증취소 사유가 됨을 유의하시기 바랍니다.

The Safety Certification will be cancelled under the Safety Control Law for Electrical Appliances, Paragraph 1 of Article 8 if the contents of the Certification is altered without our authorization.

FP511-10-00

□ 첨부 2 : 기본모델 · 파생모델의 내용
 General description of Certified Products

파생모델명 Derivative model	기본모델과의 차이점 Differences between the basic and derivative model(s)
YP-23K	Power plug is straight type
제품특기사항 및 시험조건 Remarks & Test conditions	
<p>1. Test Report Ref. No. : 01-920-2505 (2001. 11. 2)</p> <p>2. Product Description</p> <ul style="list-style-type: none"> - This power plug "YP-22K (16A 250V~)" is combined with VCTF 3C X 0.75 mm² power cord. - Plug head is side entry type & has side earthing contact line. 	
<p>□ 본 제품의 시험내용에 관하여 문의하실 사항이 있으시면 아래 연락처로 문의하시기 바랍니다. 시험 담당자 / 연락처 : 디지털산업본부 전기전자평가센터 유경태 / (02)860-1422</p> <p>□ <i>If you have any question on product testing, please contact the person below :</i> Job holder : Digital Industry Division Electrics&Electronics Testing Center, K.T.Yu /+82 2 860-1422</p>	

FP511-09-00

□ **첨부 3 : 전기용품안전인증의 변경 현황**
Status of Certificate Revisions

변경발급 내용 Contents of Certificate Revisions
<p>1st Rev.) Critical component is added. And rating is changed. (05-1920-0341 : 2005.04.01)</p> <ul style="list-style-type: none"> - Adding power cord : H03VV-F 3G 0.75 mm² , H05VV-F 3G 0.75 mm² H05VV-F 3G 1.0 mm² , H05VV-F 3G 1.5 mm² - Changing rated current : 7A → 16A <p>2nd Rev.) Change of company address (11-1920-6944 : 2011.12.07.)</p> <ul style="list-style-type: none"> - Before : Da Pu Industrial Zone, Chang Ping Town, Dong Guan City, Guang Dong 511736, P.R.China After : Da Pu Industrial Zone, Chang Ping Town, Dong Guan City, Guang Dong 523571, P.R.China

FP511-11-00



전기용품안전인증서

Electrical Appliances Safety Certificate

안전인증번호
(Certificate No.) : SU04001-1002A

접수번호
(Order No.) : 05-1920-0337

제조사명
(Manufacturer) : Yung Li Co., Ltd. China

공장소재지
(Factory Address) : Da Pu Industrial Zone, Chang Ping Town, Dong Guan City,
Guang Dong 511736, China

제품명
(Product) : 상호연결커플러 (Appliances Coupler)

기본모델명
(Basic Model) : YC-12

정격
(Electrical Ratings) : AC250V, 10A

파생모델명
(Series Model) : Not Applicable

적용기준
(Applied Standard) : K60320-1

- 첨부 : 1. 기본모델·파생모델의 내용 (General Descriptions of Certified Products)
2. 전기용품안전인증서의 변경발급 현황 (Status of Compliance Certificate Revisions)
3. 안전관리 부품목록 (List of Critical Components)

전기용품 안전관리법 제5조의 규정에 의하여 위의 전기용품에 대하여 안전인증서를 교부합니다.

We Certify Electrical Appliances Safety Certification as above product by Article 5 of the Electrical Appliance Safety Control Law.

2005년 04월 06일
year month day



안전인증기관
산업기술시험원장
KOREA TESTING LABORATORY



첨부 1 : 기본모델·파생모델의 내용
General description of Certified Products

파생모델명 Derivative model	기본모델과의 차이점 Differences between the basic and derivative model(s)
Not Applicable	
제품특기사항 및 시험조건 Remarks & Test conditions	
<p>1. Test Report No. : 01-920-2504 (2001. 11. 2)</p> <p>2. Product Description</p> <ul style="list-style-type: none"> - This Appliance coupler "YC-12 (10A 250V~)" is combined with VCTF 3C X 0.75 mm² power cord. - Head figure of appliance coupler is illustrated in the "Standard sheet C13 of IEC60320-1". - Appliance coupler is moulded with power cord straightly & has earthing contact line. 	
<p><input type="checkbox"/> 본 제품의 시험내용에 관하여 문의하실 사항이 있으시면 아래 연락처로 문의하시기 바랍니다. 시험담당자 : 전기전자본부 신뢰성평가팀, 강호우 / (02)8601-415</p> <p><input type="checkbox"/> If you have any question on product testing, please contact the person below : Job holder : Electrotechnical Center Reliability Assessment Team, H.W.KANG/+82 2 8601-415</p>	

FP511-09-00

첨부 2 : 전기용품안전인증서의 변경발급현황
Status of Compliance Certificate Revisions

변경발급 내용 Contents of Certificate Revisions	비고 Remarks
<p>1st. Rev) Critical component is added. And rating is changed. (05-1920-0337 : 2005.04.01)</p> <ul style="list-style-type: none"> - Adding power cord : H03VV-F 3G 0.75 mm² , H05VV-F 3G 0.75 mm², 1.0 mm², 1.5 mm² - Changing rated current : 7A → 10A 	

FP511-11-00

첨부 3 : 안전관리부품 목록
List of Critical Components

부품명 (회로기호) Component(Part no.)	제조사(상표명) Manufacturer(Brand)	모델명(형식) Model(Type)	정격 또는 특성 Rating or Characteristics	인증마크 Tested by
Power cord	Yung Li	60227 IEC 52 (H03VV-F)	3G 0.75 mm ²	EK
		60227 IEC 53 (H05VV-F)	3G 0.75 mm ²	
			3G 1.0 mm ²	
			3G 1.5 mm ²	

유의사항 (Attention) :

- 안전관리부품은 전기적인 안전에 직접적인 영향을 주는 부품으로서 안전인증기관이 정기공장검사시 확인 관리 하는 사항입니다. 따라서 상기목록에 기재된 사항을 변경하거나 또는 복수등록을 원하시는 경우는 안전인증기관에 인증변경신청을 하여야 합니다.

As the "Critical components" are parts in directly related with safety, these components shall be checked during a factory inspection by the certification body. In case of applying multiple listing or changing the items above, the certification revision shall be applied.

- 인증변경신청 없이 임의로 변경하는 경우는, 전기용품안전관리법 제 9 조제 1 항의 규정에 의한 안전인증 취소 사유가 될을 유의하시기 바랍니다.

The Safety Certification will be cancelled under the Safety Control Law for Electrical Appliances, Paragraph 1 of Article 9 if the contents of the Certification is altered without our authorization

CERTIFICATE

OF SAFETY FOR ELECTRICAL APPLIANCES

Certification Number : SU01027-4002

Ref. No. : 04-1920-4372

Manufacturer's Name : Yung Li Co., Ltd.

& Address

Da Pu Industrial Zone, Chang Ping Town, Dongguan City,
GuangDong Province, China 523571

Factory Address : Same as Manufacturer's

Certified Product

1. Product : 코드류 (Polyvinyl chloride insulated cord)
2. Basic Model : 60227 IEC 53 (H05VV-F) 2Cx0.75mm²
3. Rating : 300/500V
4. Derivative Model : See the Attachment1

Applied Standard: K60227-5

Attached Supplement : 1. General Description of Certified Products

This is to certify that the product shown above is complied with the safety standards under the Electrical Appliance Safety Control Law, paragraph 2 of Article 5 and is manufactured by a scheme that follows continuous obligations of safety. The product listed above is eligible to bear the Korean Safety Mark.

Date of Issue: December 27, 2004



CERTIFICATION BODY

KOREA TESTING LABORATORY

Jong-Myung Lee / Certification Director

별첨 1: 파생모델구분 및 특기사항
 General description of Certified Products

파생모델명 Derivative model	기본모델과의 차이점 Differences between the basic and derivative model(s)
60227 IEC 53 (H05VV-F), 2Cx1.0~2.5 mm ²	Nominal sectional area
60227 IEC 53 (H05VV-F), 3Cx0.75~2.5 mm ²	Nominal sectional area & number of conductors
60227 IEC 53 (H05VVH2-F), 2x0.75 mm ²	Flat type
제품특기사항 및 시험조건 Remarks & Test conditions	
<p>1. Test Report No. : 04-1920-4372 (2004.12.23)</p> <p>2. Product Description</p> <ul style="list-style-type: none"> - "60227 IEC 53 (H05VV-F) 2Cx0.75 mm²" is rated nominal sectional area is 0.75 mm², constructed with 2 wires without ground wire, external figure is the flat type, sheathed with polyvinyl chloride - Permitted maximum using voltage between live and earth line & between live lines is AC300V/500V. - "60227 IEC 53 (H05VV-F) cord" means "sheathed flexible power cable insulated with polyvinyl chloride" & the external sheath figure is round circle. 	
<p><input type="checkbox"/> 본 제품의 시험내용에 관하여 문의하실 사항이 있으시면 아래 연락처로 문의하시기 바랍니다. 시험담당자 : 전기전자본부 신뢰성평가팀, 강호우 / (02)8601-415</p> <p><input type="checkbox"/> If you have any question on product testing, please contact the person below : Job holder : Electrotechnical Center Reliability Assessment Team, H.W.KANG/+82 2 8601-415</p>	

FP511-09-00

測試報告

Test Report

號碼(No.): ETA22100116

日期(Date): 17-Jan-2022

頁數(Page): 1 of 14

瓦(巨)銘工業股份有限公司 (SELF-MAN INDUSTRIAL CO., LTD.)

基隆市七堵區俊賢路25號5樓 (5F, NO. 25, CHUN-HSIEN ROAD, CHI-TU DISTRICT, KEELUNG 206, TAIWAN)

以下測試樣品係由申請廠商所提供及確認 (The following sample(s) was/were submitted and identified by/on behalf of the applicant as) :

送樣廠商(Sample Submitted By) : 瓦(巨)銘工業股份有限公司 (SELF-MAN INDUSTRIAL CO., LTD.)

樣品名稱(Sample Name) : AC POWER CORD

樣品型號(Style/Item No.) : 請參考第2-3頁 (PLEASE REFER TO PAGE 2-3)

收件日(Sample Receiving Date) : 10-Jan-2022

測試期間(Testing Period) : 10-Jan-2022 to 17-Jan-2022

測試需求(Test Requested) : 依據客戶要求進行測試，測試項目請參閱測試結果表格。(Testing item(s) is/are specified by client. Please refer to result table for testing item(s).)

測試結果(Test Results) : 請參閱下一頁 (Please refer to following pages.)


Troy Chang, Manager, Tech
Signed for and on behalf of
SGS TAIWAN LTD.
Chemical Laboratory - Taipei



PIN CODE: 243BA57A

This document is issued by the Company subject to its General Conditions of Service printed overleaf, available on request or accessible at <https://www.sgs.com.tw/terms-of-service> and, for electronic format documents, subject to Terms and Conditions for Electronic Documents at <https://www.sgs.com.tw/terms-of-service>. Attention is drawn to the limitation of liability, indemnification and jurisdiction issues defined therein. Any holder of this document is advised that information contained hereon reflects the Company's findings at the time of its intervention only and within the limits of client's instruction, if any. The Company's sole responsibility is to its Client and this document does not exonerate parties to a transaction from exercising all their rights and obligations under the transaction documents. This document cannot be reproduced, except in full, without prior written approval of the Company. Any unauthorized alteration, forgery or falsification of the content or appearance of this document is unlawful and offenders may be prosecuted to the fullest extent of the law. Unless otherwise stated the results shown in this test report refer only to the sample(s) tested.

測試報告

Test Report

號碼(No.): ETA22100116

日期(Date): 17-Jan-2022

頁數(Page): 2 of 14

瓦(巨)銘工業股份有限公司 (SELF-MAN INDUSTRIAL CO., LTD.)

基隆市七堵區俊賢路25號5樓 (5F, NO. 25, CHUN-HSIEN ROAD, CHI-TU DISTRICT, KEELUNG 206, TAIWAN)

樣品型號(Style/Item No.) :

(CABLE)

SPECIFICATION OF CABLE-IRE: SPT-1 18AWG 2C, SPT-2 18AWG 2C,
NISPT-1 18AWG 2C, NISPT-2 18AWG 2C, SPT-2 18AWG 3C,
SPT-2 16AWG 2C, SVT 18AWG 2C, SVT 18AWG 3C, SVT 17AWG 2C, SVT 16AWG 2C,
SJT 16AWG 2C, SJT 18AWG 2C, SJT 18AWG 3C, SJT 16AWG 3C, SJT 14AWG 3C,
SJT 14AWG 2C, SJTW 18AWG 3C, SJTW 16AGW 3C, SJTW 14AGW 3C, SJTW 18AWG 2C,
SJTW 16AWG 2C, SJTW 14AWG 2C, SJTOW 18AWG 3C, SJTOW 16AWG 3C, SJTOW 14AWG 3C,
SJTOW 18AWG 2C, SJTOW 16AWG 2C, SJTOW 14AWG 2C, HPN 18AWG 2C
H05VV-F 3G 0.75mm, H05VV-F 3G 1.00mm, H05VV-F 3G 1.50mm, H03VV-F 3G 0.75mm,
H03VVH2-F 2X 0.75mm, H03VV-F 2X 0.75mm, H05VV-F 2X 0.75mm, H05VV-F 2X 1.0mm,
H05VVH2-F 2X 0.75mm, RVV 3G 0.75mm, RVV 3G 1.00mm, RVV 2X 0.75mm, RVV 2X 1.0mm,
RVV 2X 0.5mm, RVV 3G 0.5mm、RVV 3G 1.5mm、RVV 3G 2.5mm
60227 IEC53 3C 0.75mm, 60227 IEC52 2C 0.75mm, 60245 IEC57 3C 0.75mm, 60245 IEC57 3C 1.0mm
UL1007, UL1015, UL1185, UL2464, UL2468, UL2725, UL20276, UL3122, VSF
RVB 2G 0.75mm, RVB 2G 1.0mm
(H) VFF 2C 0.75mm, (H) VFF 2C 1.25mm, (H) VFF 2C 2.00mm,
(H) VCTFK 2C 0.75mm, (H) VCTFK 2C 1.25mm, (H) VCTFK 2C 2.00mm,
(H) VCTF 2C 0.75mm, (H) VCTF 2C 1.25mm, (H) VCTF 2C 2.00mm.
(H) VCTF 3C 0.75mm, (H) VCTF 3C 1.25mm, (H) VCTF 3C 2.00mm
HHFF 2C 0.75mm, HHFF 2C 1.25mm, HHFF 2C 2.00mm.
PNCTF 3C 0.75mm、3C 1.25mm、3C 1.0mm、PNCTFK 2C 0.75mm、2C 1.0mm
低煙無鹵 EN50306-4、YY 圓線 0.75/3、YY 扁線 0.75/2、SPT-1 18AWG 3C、

This document is issued by the Company subject to its General Conditions of Service printed overleaf, available on request or accessible at <https://www.sgs.com.tw/terms-of-service> and, for electronic format documents, subject to Terms and Conditions for Electronic Documents at <https://www.sgs.com.tw/terms-of-service>. Attention is drawn to the limitation of liability, indemnification and jurisdiction issues defined therein. Any holder of this document is advised that information contained hereon reflects the Company's findings at the time of its intervention only and within the limits of client's instruction, if any. The Company's sole responsibility is to its Client and this document does not exonerate parties to a transaction from exercising all their rights and obligations under the transaction documents. This document cannot be reproduced, except in full, without prior written approval of the Company. Any unauthorized alteration, forgery or falsification of the content or appearance of this document is unlawful and offenders may be prosecuted to the fullest extent of the law. Unless otherwise stated the results shown in this test report refer only to the sample(s) tested.

測試報告

Test Report

號碼(No.): ETA22100116

日期(Date): 17-Jan-2022

頁數(Page): 3 of 14

瓦(巨)銘工業股份有限公司 (SELF-MAN INDUSTRIAL CO., LTD.)

基隆市七堵區俊賢路25號5樓 (5F, NO. 25, CHUN-HSIEN ROAD, CHI-TU DISTRICT, KEELUNG 206, TAIWAN)

(PLUG)

PLUG : SM-001, SH-001, SH-001Q, SH-015, SH-015T1, SH-015T2, SH-015T3, SH-015T4, SH-015A, SH-015B, SH-015D, SH-015R, SH-015S, SH-015Q, SM-045, SH-005, SH-018, SH-025, SH-037, SH-037A, SH-051, SH-052, SM-318, YP-22K, YP-24, YP-45, YP-46, YP-50, YP-51, YP-61, SW168, SM-003, YP-18, YP-48, YP-21, YP-12, SM-018, SM-318A, SH-015L, SH051R, SH053, SH056, SH055, SH1512, YP37, YP21K, SH015E, SM008, KD168, YP22, SH001K, SH018L2, SH030, SH032, YP80, YP57, SM001L, YP21A, SM009, SH009, YP81, SH081, SH019L, KD166 (英式組裝頭)、SH062、YP33、YP32、JF1512、JF1503L、JF1535L、JF1535、YP04、SH030、SH032、SH064、SH008、YP61A、SM010、YP71、YP47、SH027、YP02L、SH005K、SH007K、JF1512L、JF0813L、SH006L-06

(OUTLET)

OUTLET : SM-006, SM-006L, SM-006L1, SM-006L2, SM-006L3, SH-006, SH-006L, SH-006L1, SH-006L2, SH-006L3, SM-103, SH-103, SM-104, SM-112, SM-112L, SH-112, SH-112L, YC-12, YC-12L, YC-13, YC-14, YC-21, SM-035, SH006R, SM104-1, SM103L, SH103L, SH006L4, YC18, SM006L4, SH063, SH006L-006, YC21, R301

This document is issued by the Company subject to its General Conditions of Service printed overleaf, available on request or accessible at <https://www.sgs.com.tw/terms-of-service> and, for electronic format documents, subject to Terms and Conditions for Electronic Documents at <https://www.sgs.com.tw/terms-of-service>. Attention is drawn to the limitation of liability, indemnification and jurisdiction issues defined therein. Any holder of this document is advised that information contained hereon reflects the Company's findings at the time of its intervention only and within the limits of client's instruction, if any. The Company's sole responsibility is to its Client and this document does not exonerate parties to a transaction from exercising all their rights and obligations under the transaction documents. This document cannot be reproduced, except in full, without prior written approval of the Company. Any unauthorized alteration, forgery or falsification of the content or appearance of this document is unlawful and offenders may be prosecuted to the fullest extent of the law. Unless otherwise stated the results shown in this test report refer only to the sample(s) tested.

測試報告

Test Report

號碼(No.): ETA22100116

日期(Date): 17-Jan-2022

頁數(Page): 4 of 14

互(巨)銘工業股份有限公司 (SELF-MAN INDUSTRIAL CO., LTD.)

基隆市七堵區俊賢路25號5樓 (5F, NO. 25, CHUN-HSIEN ROAD, CHI-TU DISTRICT, KEELUNG 206, TAIWAN)

測試部位敘述 (Test Part Description)

No.1 : 整體混測 (MIXED ALL PARTS)

測試結果 (Test Results)

測試項目 (Test Items)	測試方法 (Method)	單位 (Unit)	MDL	結果 (Result)
				No.1
鎘 (Cd) (Cadmium (Cd)) (CAS No.: 7440-43-9)	參考IEC 62321-5: 2013 · 以感應耦合電漿發射光譜儀分析。(With reference to IEC 62321-5: 2013, analysis was performed by ICP-OES.)	mg/kg	2	n.d.
鉛 (Pb) (Lead (Pb)) (CAS No.: 7439-92-1)	參考IEC 62321-5: 2013 · 以感應耦合電漿發射光譜儀分析。(With reference to IEC 62321-5: 2013, analysis was performed by ICP-OES.)	mg/kg	2	34.7
汞 (Hg) (Mercury (Hg)) (CAS No.: 7439-97-6)	參考IEC 62321-4: 2013+ AMD1: 2017 · 以感應耦合電漿發射光譜儀分析。(With reference to IEC 62321-4: 2013+ AMD1: 2017, analysis was performed by ICP-OES.)	mg/kg	2	n.d.
六價鉻 Cr(VI) (Hexavalent Chromium Cr(VI)) (CAS No.: 18540-29-9)	參考IEC 62321-7-2: 2017 · 以紫外光-可見光分光光度計分析。(With reference to IEC 62321-7-2: 2017, analysis was performed by UV-VIS.)	mg/kg	8	n.d.
一溴聯苯 (Monobromobiphenyl)	參考IEC 62321-6: 2015 · 以氣相層析儀/質譜儀分析。(With reference to IEC 62321-6: 2015, analysis was performed by GC/MS.)	mg/kg	5	n.d.
二溴聯苯 (Dibromobiphenyl)		mg/kg	5	n.d.
三溴聯苯 (Tribromobiphenyl)		mg/kg	5	n.d.
四溴聯苯 (Tetrabromobiphenyl)		mg/kg	5	n.d.
五溴聯苯 (Pentabromobiphenyl)		mg/kg	5	n.d.
六溴聯苯 (Hexabromobiphenyl)		mg/kg	5	n.d.
七溴聯苯 (Heptabromobiphenyl)		mg/kg	5	n.d.
八溴聯苯 (Octabromobiphenyl)		mg/kg	5	n.d.
九溴聯苯 (Nonabromobiphenyl)		mg/kg	5	n.d.
十溴聯苯 (Decabromobiphenyl)		mg/kg	5	n.d.
多溴聯苯總和 (Sum of PBBs)		mg/kg	-	n.d.

This document is issued by the Company subject to its General Conditions of Service printed overleaf, available on request or accessible at <https://www.sgs.com.tw/terms-of-service> and, for electronic format documents, subject to Terms and Conditions for Electronic Documents at <https://www.sgs.com.tw/terms-of-service>. Attention is drawn to the limitation of liability, indemnification and jurisdiction issues defined therein. Any holder of this document is advised that information contained hereon reflects the Company's findings at the time of its intervention only and within the limits of client's instruction, if any. The Company's sole responsibility is to its Client and this document does not exonerate parties to a transaction from exercising all their rights and obligations under the transaction documents. This document cannot be reproduced, except in full, without prior written approval of the Company. Any unauthorized alteration, forgery or falsification of the content or appearance of this document is unlawful and offenders may be prosecuted to the fullest extent of the law. Unless otherwise stated the results shown in this test report refer only to the sample(s) tested.

測試報告

Test Report

號碼(No.): ETA22100116

日期(Date): 17-Jan-2022

頁數(Page): 5 of 14

互(巨)銘工業股份有限公司 (SELF-MAN INDUSTRIAL CO., LTD.)

基隆市七堵區俊賢路25號5樓 (5F, NO. 25, CHUN-HSIEN ROAD, CHI-TU DISTRICT, KEELUNG 206, TAIWAN)

測試項目 (Test Items)	測試方法 (Method)	單位 (Unit)	MDL	結果 (Result)
				No.1
一溴聯苯醚 (Monobromodiphenyl ether)	參考IEC 62321-6: 2015 · 以氣相層析儀/質譜儀分析。(With reference to IEC 62321-6: 2015, analysis was performed by GC/MS.)	mg/kg	5	n.d.
二溴聯苯醚 (Dibromodiphenyl ether)		mg/kg	5	n.d.
三溴聯苯醚 (Tribromodiphenyl ether)		mg/kg	5	n.d.
四溴聯苯醚 (Tetrabromodiphenyl ether)		mg/kg	5	n.d.
五溴聯苯醚 (Pentabromodiphenyl ether)		mg/kg	5	n.d.
六溴聯苯醚 (Hexabromodiphenyl ether)		mg/kg	5	n.d.
七溴聯苯醚 (Heptabromodiphenyl ether)		mg/kg	5	n.d.
八溴聯苯醚 (Octabromodiphenyl ether)		mg/kg	5	n.d.
九溴聯苯醚 (Nonabromodiphenyl ether)		mg/kg	5	n.d.
十溴聯苯醚 (Decabromodiphenyl ether)		mg/kg	5	n.d.
多溴聯苯醚總和 (Sum of PBDEs)		mg/kg	-	n.d.
鄰苯二甲酸丁苯甲酯 (BBP) (Butyl benzyl phthalate (BBP)) (CAS No.: 85-68-7)	參考IEC 62321-8: 2017 · 以氣相層析儀/質譜儀分析。(With reference to IEC 62321-8: 2017, analysis was performed by GC/MS.)	mg/kg	50	n.d.
鄰苯二甲酸二丁酯 (DBP) (Dibutyl phthalate (DBP)) (CAS No.: 84-74-2)		mg/kg	50	n.d.
鄰苯二甲酸二(2-乙基己基)酯 (DEHP) (Di-(2-ethylhexyl) phthalate (DEHP)) (CAS No.: 117-81-7)		mg/kg	50	n.d.
鄰苯二甲酸二異丁酯 (DIBP) (Diisobutyl phthalate (DIBP)) (CAS No.: 84-69-5)		mg/kg	50	n.d.
全氟辛烷磺酸及其鹽類 (PFOS and its salts) (CAS No.: 1763-23-1 and its salts)	參考CEN/TS 15968: 2010 · 以液相層析串聯質譜儀分析。(With reference to CEN/TS 15968: 2010, analysis was performed by LC/MS/MS.)	mg/kg	0.01	n.d.
N-乙基全氟正辛磺醯胺 (EtFOSA) (N-ethylperfluoro-1-octanesulfonamide (EtFOSA)) (CAS No.: 4151-50-2)	參考CEN/TS 15968: 2010 · 以液相層析串聯質譜儀分析。(With reference to CEN/TS 15968: 2010, analysis was performed by LC/MS/MS.)	mg/kg	0.01	n.d.
N-甲基全氟正辛磺醯胺 (N-Me-FOSA) (N-Methyl-Perfluorooctanesulfonamide (N-Me-FOSA)) (CAS No.: 31506-32-8)	參考CEN/TS 15968: 2010 · 以液相層析串聯質譜儀分析。(With reference to CEN/TS 15968: 2010, analysis was performed by LC/MS/MS.)	mg/kg	0.01	n.d.

This document is issued by the Company subject to its General Conditions of Service printed overleaf, available on request or accessible at <https://www.sgs.com.tw/terms-of-service> and, for electronic format documents, subject to Terms and Conditions for Electronic Documents at <https://www.sgs.com.tw/terms-of-service>. Attention is drawn to the limitation of liability, indemnification and jurisdiction issues defined therein. Any holder of this document is advised that information contained hereon reflects the Company's findings at the time of its intervention only and within the limits of client's instruction, if any. The Company's sole responsibility is to its Client and this document does not exonerate parties to a transaction from exercising all their rights and obligations under the transaction documents. This document cannot be reproduced, except in full, without prior written approval of the Company. Any unauthorized alteration, forgery or falsification of the content or appearance of this document is unlawful and offenders may be prosecuted to the fullest extent of the law. Unless otherwise stated the results shown in this test report refer only to the sample(s) tested.



測試報告

Test Report

號碼(No.): ETA22100116

日期(Date): 17-Jan-2022

頁數(Page): 6 of 14

互(巨)銘工業股份有限公司 (SELF-MAN INDUSTRIAL CO., LTD.)

基隆市七堵區俊賢路25號5樓 (5F, NO. 25, CHUN-HSIEN ROAD, CHI-TU DISTRICT, KEELUNG 206, TAIWAN)

測試項目 (Test Items)	測試方法 (Method)	單位 (Unit)	MDL	結果 (Result)
				No.1
N-乙基全氟辛基磺醯胺乙醇 (N-Et-FOSE alcohol) (N-Ethyl-Perfluorooctanesulfonamidoethanol (N-Et-FOSE alcohol)) (CAS No.: 1691-99-2)	參考CEN/TS 15968: 2010 · 以液相層析串聯質譜儀分析。(With reference to CEN/TS 15968: 2010, analysis was performed by LC/MS/MS.)	mg/kg	0.01	n.d.
N-甲基全氟辛基磺醯胺乙醇 (N-Me-FOSE alcohol) (N-Methyl-Perfluorooctanesulfonamidoethanol (N-Me-FOSE alcohol)) (CAS No.: 24448-09-7)	參考CEN/TS 15968: 2010 · 以液相層析串聯質譜儀分析。(With reference to CEN/TS 15968: 2010, analysis was performed by LC/MS/MS.)	mg/kg	0.01	n.d.
全氟辛基磺醯胺 (PFOSA) (Perfluorooctanesulfonamide (PFOSA)) (CAS No.: 754-91-6)	參考CEN/TS 15968: 2010 · 以液相層析串聯質譜儀分析。(With reference to CEN/TS 15968: 2010, analysis was performed by LC/MS/MS.)	mg/kg	0.01	n.d.
全氟辛酸及其鹽類 (PFOA and its salts) (CAS No.: 335-67-1 and its salts)	參考CEN/TS 15968: 2010 · 以液相層析串聯質譜儀分析。(With reference to CEN/TS 15968: 2010, analysis was performed by LC/MS/MS.)	mg/kg	0.01	n.d.
1H,1H,2H,2H-全氟癸磺酸 (8:2 FTS) (1H,1H,2H,2H-Perfluorodecanesulfonic acid (8:2 FTS)) (CAS No.: 39108-34-4)	參考CEN/TS 15968: 2010 · 以液相層析串聯質譜儀分析。(With reference to CEN/TS 15968: 2010, analysis was performed by LC/MS/MS.)	mg/kg	0.01	n.d.
全氟辛酸甲酯 (Me-PFOA) (Methyl perfluorooctanoate (Me-PFOA)) (CAS No.: 376-27-2)	參考CEN/TS 15968: 2010 · 以氣相層析儀/質譜儀分析。(With reference to CEN/TS 15968: 2010, analysis was performed by GC/MS.)	mg/kg	0.1	n.d.
全氟辛酸乙酯 (Et-PFOA) (Ethyl perfluorooctanoate (Et-PFOA)) (CAS No.: 3108-24-5)	參考CEN/TS 15968: 2010 · 以氣相層析儀/質譜儀分析。(With reference to CEN/TS 15968: 2010, analysis was performed by GC/MS.)	mg/kg	0.1	n.d.
1H,1H,2H,2H-全氟-1-癸醇 (8:2 FTOH) (1H,1H,2H,2H-Perfluoro-1-decanol (8:2 FTOH)) (CAS No.: 678-39-7)	參考CEN/TS 15968: 2010 · 以氣相層析儀/質譜儀分析。(With reference to CEN/TS 15968: 2010, analysis was performed by GC/MS.)	mg/kg	0.1	n.d.
1H,1H,2H,2H-全氟癸基丙烯酸酯 (8:2 FTA) (1H,1H,2H,2H-Perfluorodecyl acrylate (8:2 FTA)) (CAS No.: 27905-45-9)	參考CEN/TS 15968: 2010 · 以氣相層析儀/質譜儀分析。(With reference to CEN/TS 15968: 2010, analysis was performed by GC/MS.)	mg/kg	0.1	n.d.

This document is issued by the Company subject to its General Conditions of Service printed overleaf, available on request or accessible at <https://www.sgs.com.tw/terms-of-service> and, for electronic format documents, subject to Terms and Conditions for Electronic Documents at <https://www.sgs.com.tw/terms-of-service>. Attention is drawn to the limitation of liability, indemnification and jurisdiction issues defined therein. Any holder of this document is advised that information contained hereon reflects the Company's findings at the time of its intervention only and within the limits of client's instruction, if any. The Company's sole responsibility is to its Client and this document does not exonerate parties to a transaction from exercising all their rights and obligations under the transaction documents. This document cannot be reproduced, except in full, without prior written approval of the Company. Any unauthorized alteration, forgery or falsification of the content or appearance of this document is unlawful and offenders may be prosecuted to the fullest extent of the law. Unless otherwise stated the results shown in this test report refer only to the sample(s) tested.

測試報告

Test Report

號碼(No.): ETA22100116

日期(Date): 17-Jan-2022

頁數(Page): 7 of 14

瓦(巨)銘工業股份有限公司 (SELF-MAN INDUSTRIAL CO., LTD.)

基隆市七堵區俊賢路25號5樓 (5F, NO. 25, CHUN-HSIEN ROAD, CHI-TU DISTRICT, KEELUNG 206, TAIWAN)

測試項目 (Test Items)	測試方法 (Method)	單位 (Unit)	MDL	結果 (Result)
				No.1
1H,1H,2H,2H-全氟癸基甲基丙烯酸鹽 (8:2 FTMA) (1H,1H,2H,2H-Perfluorodecyl methacrylate (8:2 FTMA)) (CAS No.: 1996-88-9)	參考CEN/TS 15968: 2010 · 以氣相層析儀/質譜儀分析。(With reference to CEN/TS 15968: 2010, analysis was performed by GC/MS.)	mg/kg	0.1	n.d.
全氟辛基碘烷 (PFOI) (Perfluoro-1-iodooctane (PFOI)) (CAS No.: 507-63-1)	參考CEN/TS 15968: 2010 · 以氣相層析儀/質譜儀分析。(With reference to CEN/TS 15968: 2010, analysis was performed by GC/MS.)	mg/kg	0.1	n.d.
多環芳香烴 (Polycyclic Aromatic Hydrocarbons) (PAHs)				
苯駢(a)芘 (Benzo[a]pyrene) (CAS No.: 50-32-8)	參考AfPS GS 2019:01 PAK · 以氣相層析儀/質譜儀分析。(With reference to AfPS GS 2019:01 PAK, analysis was performed by GC/MS.)	mg/kg	0.2	n.d.
苯駢(e)芘 (Benzo[e]pyrene) (CAS No.: 192-97-2)		mg/kg	0.2	n.d.
苯駢蔥 (Benzo[a]anthracene) (CAS No.: 56-55-3)		mg/kg	0.2	n.d.
苯(b)苯駢芴 (Benzo[b]fluoranthene) (CAS No.: 205-99-2)		mg/kg	0.2	n.d.
苯(j)苯駢芴 (Benzo[j]fluoranthene) (CAS No.: 205-82-3)		mg/kg	0.2	n.d.
苯(k)苯駢芴 (Benzo[k]fluoranthene) (CAS No.: 207-08-9)		mg/kg	0.2	n.d.
蒽 (Chrysene) (CAS No.: 218-01-9)		mg/kg	0.2	n.d.
二苯駢蔥 (Dibenzo[a,h]anthracene) (CAS No.: 53-70-3)		mg/kg	0.2	n.d.
苯駢芘 (Benzo[g,h,i]perylene) (CAS No.: 191-24-2)		mg/kg	0.2	n.d.
茛萘 (Indeno[1,2,3-c,d]pyrene) (CAS No.: 193-39-5)		mg/kg	0.2	n.d.
蔥 (Anthracene) (CAS No.: 120-12-7)		mg/kg	0.2	n.d.
苯駢芴 (Fluoranthene) (CAS No.: 206-44-0)		mg/kg	0.2	n.d.
菲 (Phenanthrene) (CAS No.: 85-01-8)		mg/kg	0.2	n.d.
芘 (Pyrene) (CAS No.: 129-00-0)		mg/kg	0.2	n.d.
萘 (Naphthalene) (CAS No.: 91-20-3)		mg/kg	0.2	n.d.
多環芳香烴15項總和 (Sum of 15 PAHs)		mg/kg	-	n.d.

This document is issued by the Company subject to its General Conditions of Service printed overleaf, available on request or accessible at <https://www.sgs.com.tw/terms-of-service> and, for electronic format documents, subject to Terms and Conditions for Electronic Documents at <https://www.sgs.com.tw/terms-of-service>. Attention is drawn to the limitation of liability, indemnification and jurisdiction issues defined therein. Any holder of this document is advised that information contained hereon reflects the Company's findings at the time of its intervention only and within the limits of client's instruction, if any. The Company's sole responsibility is to its Client and this document does not exonerate parties to a transaction from exercising all their rights and obligations under the transaction documents. This document cannot be reproduced, except in full, without prior written approval of the Company. Any unauthorized alteration, forgery or falsification of the content or appearance of this document is unlawful and offenders may be prosecuted to the fullest extent of the law. Unless otherwise stated the results shown in this test report refer only to the sample(s) tested.



測試報告

Test Report

號碼(No.): ETA22100116

日期(Date): 17-Jan-2022

頁數(Page): 8 of 14

瓦(巨)銘工業股份有限公司 (SELF-MAN INDUSTRIAL CO., LTD.)

基隆市七堵區俊賢路25號5樓 (5F, NO. 25, CHUN-HSIEN ROAD, CHI-TU DISTRICT, KEELUNG 206, TAIWAN)

備註(Note) :

1. mg/kg = ppm ; 0.1wt% = 1000ppm
2. MDL = Method Detection Limit (方法偵測極限值)
3. n.d. = Not Detected (未檢出) ; 小於MDL / Less than MDL
4. "-" = Not Regulated (無規格值)
5. 全氟辛烷磺酸及其鹽類包含 (PFOS and its salts including) :
CAS No.: 29081-56-9, 2795-39-3, 29457-72-5, 70225-14-8, 56773-42-3, 251099-16-8, 307-35-7.
6. 全氟辛酸及其鹽類包含 (PFOA and its salts including) :
CAS No.: 3825-26-1, 335-95-5, 2395-00-8, 335-93-3, 335-66-0.
7. 樣品的測試是基於申請人要求混合測試 · 報告中的混合測試結果不代表其中個別單一材質的含量。
The sample(s) was/were analyzed on behalf of the applicant as mixing sample in one testing. The above result(s) was/were only given as the informality value.

This document is issued by the Company subject to its General Conditions of Service printed overleaf, available on request or accessible at <https://www.sgs.com.tw/terms-of-service> and, for electronic format documents, subject to Terms and Conditions for Electronic Documents at <https://www.sgs.com.tw/terms-of-service>. Attention is drawn to the limitation of liability, indemnification and jurisdiction issues defined therein. Any holder of this document is advised that information contained hereon reflects the Company's findings at the time of its intervention only and within the limits of client's instruction, if any. The Company's sole responsibility is to its Client and this document does not exonerate parties to a transaction from exercising all their rights and obligations under the transaction documents. This document cannot be reproduced, except in full, without prior written approval of the Company. Any unauthorized alteration, forgery or falsification of the content or appearance of this document is unlawful and offenders may be prosecuted to the fullest extent of the law. Unless otherwise stated the results shown in this test report refer only to the sample(s) tested.

測試報告

Test Report

號碼(No.): ETA22100116

日期(Date): 17-Jan-2022

頁數(Page): 9 of 14

瓦(巨)銘工業股份有限公司 (SELF-MAN INDUSTRIAL CO., LTD.)

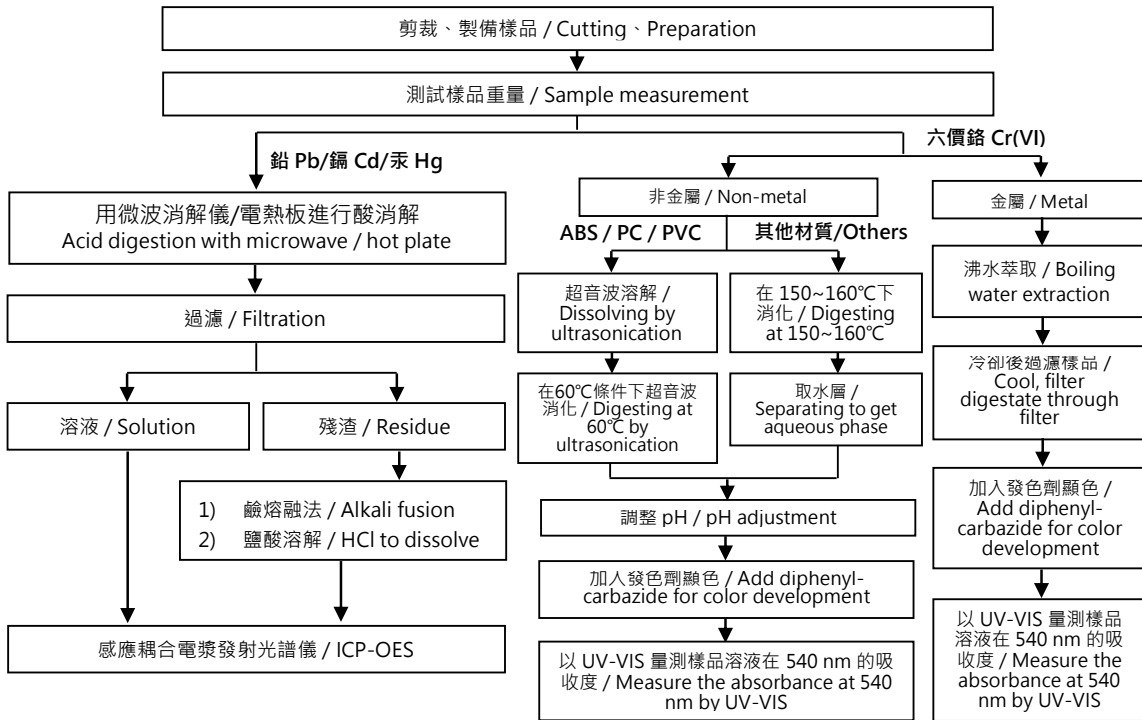
基隆市七堵區俊賢路25號5樓 (5F, NO. 25, CHUN-HSIEN ROAD, CHI-TU DISTRICT, KEELUNG 206, TAIWAN)

重金屬流程圖 / Analytical flow chart of Heavy Metal

根據以下的流程圖之條件，樣品已完全溶解。(六價鉻測試方法除外)

These samples were dissolved totally by pre-conditioning method according to below flow chart.

(Cr⁶⁺ test method excluded)



This document is issued by the Company subject to its General Conditions of Service printed overleaf, available on request or accessible at <https://www.sgs.com.tw/terms-of-service> and, for electronic format documents, subject to Terms and Conditions for Electronic Documents at <https://www.sgs.com.tw/terms-of-service>. Attention is drawn to the limitation of liability, indemnification and jurisdiction issues defined therein. Any holder of this document is advised that information contained hereon reflects the Company's findings at the time of its intervention only and within the limits of client's instruction, if any. The Company's sole responsibility is to its Client and this document does not exonerate parties to a transaction from exercising all their rights and obligations under the transaction documents. This document cannot be reproduced, except in full, without prior written approval of the Company. Any unauthorized alteration, forgery or falsification of the content or appearance of this document is unlawful and offenders may be prosecuted to the fullest extent of the law. Unless otherwise stated the results shown in this test report refer only to the sample(s) tested.

測試報告

Test Report

號碼(No.): ETA22100116

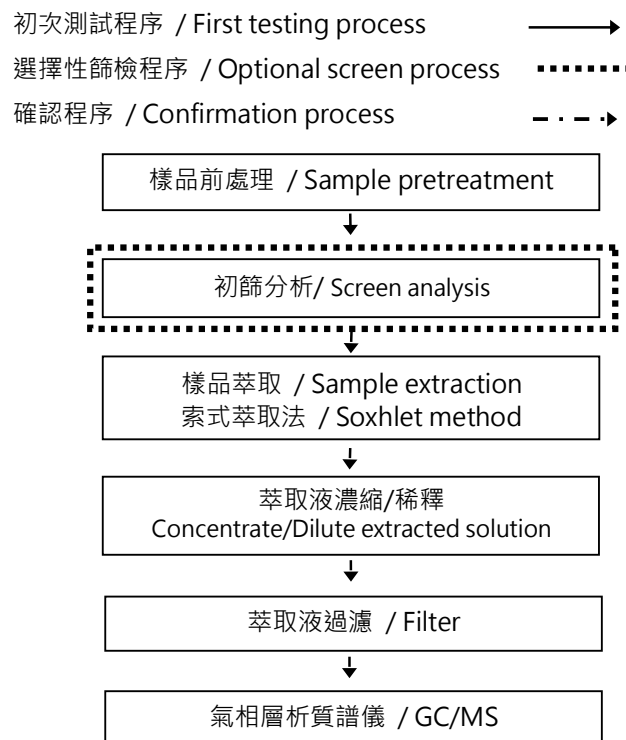
日期(Date): 17-Jan-2022

頁數(Page): 10 of 14

瓦(巨)銘工業股份有限公司 (SELF-MAN INDUSTRIAL CO., LTD.)

基隆市七堵區俊賢路25號5樓 (5F, NO. 25, CHUN-HSIEN ROAD, CHI-TU DISTRICT, KEELUNG 206, TAIWAN)

多溴聯苯/多溴聯苯醚分析流程圖 / Analytical flow chart - PBBs/PBDEs



This document is issued by the Company subject to its General Conditions of Service printed overleaf, available on request or accessible at <https://www.sgs.com.tw/terms-of-service> and, for electronic format documents, subject to Terms and Conditions for Electronic Documents at <https://www.sgs.com.tw/terms-of-service>. Attention is drawn to the limitation of liability, indemnification and jurisdiction issues defined therein. Any holder of this document is advised that information contained hereon reflects the Company's findings at the time of its intervention only and within the limits of client's instruction, if any. The Company's sole responsibility is to its Client and this document does not exonerate parties to a transaction from exercising all their rights and obligations under the transaction documents. This document cannot be reproduced, except in full, without prior written approval of the Company. Any unauthorized alteration, forgery or falsification of the content or appearance of this document is unlawful and offenders may be prosecuted to the fullest extent of the law. Unless otherwise stated the results shown in this test report refer only to the sample(s) tested.

測試報告

Test Report

號碼(No.): ETA22100116

日期(Date): 17-Jan-2022

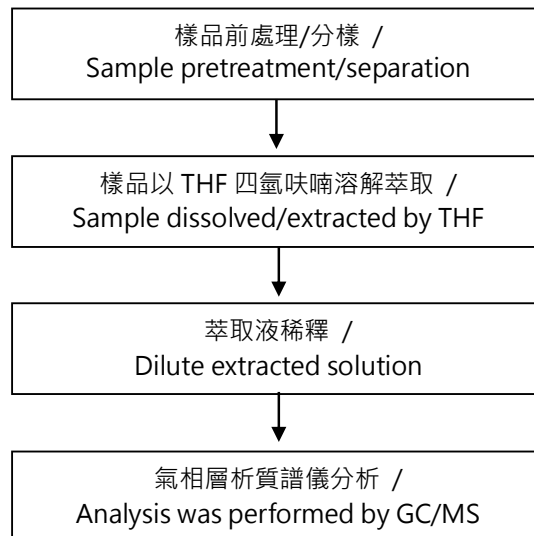
頁數(Page): 11 of 14

瓦(巨)銘工業股份有限公司 (SELF-MAN INDUSTRIAL CO., LTD.)

基隆市七堵區俊賢路25號5樓 (5F, NO. 25, CHUN-HSIEN ROAD, CHI-TU DISTRICT, KEELUNG 206, TAIWAN)

可塑劑分析流程圖 / Analytical flow chart - Phthalate

【測試方法/Test method: IEC 62321-8】



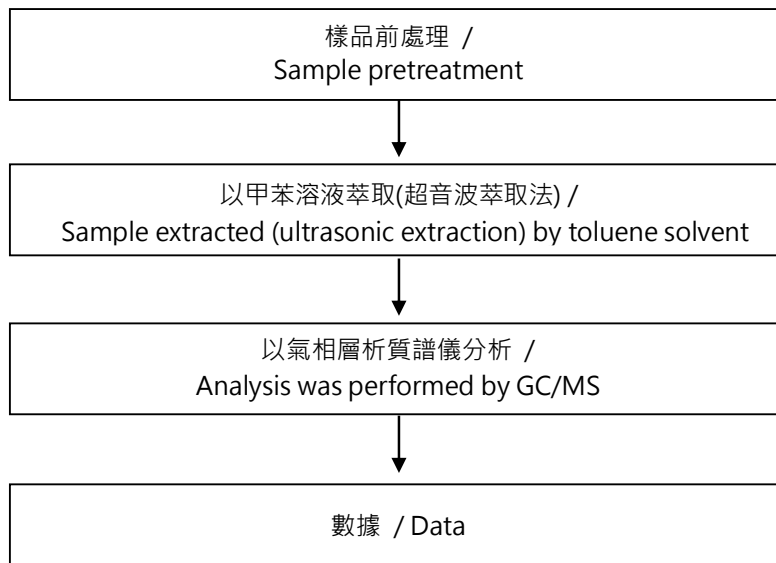
This document is issued by the Company subject to its General Conditions of Service printed overleaf, available on request or accessible at <https://www.sgs.com.tw/terms-of-service> and, for electronic format documents, subject to Terms and Conditions for Electronic Documents at <https://www.sgs.com.tw/terms-of-service>. Attention is drawn to the limitation of liability, indemnification and jurisdiction issues defined therein. Any holder of this document is advised that information contained hereon reflects the Company's findings at the time of its intervention only and within the limits of client's instruction, if any. The Company's sole responsibility is to its Client and this document does not exonerate parties to a transaction from exercising all their rights and obligations under the transaction documents. This document cannot be reproduced, except in full, without prior written approval of the Company. Any unauthorized alteration, forgery or falsification of the content or appearance of this document is unlawful and offenders may be prosecuted to the fullest extent of the law. Unless otherwise stated the results shown in this test report refer only to the sample(s) tested.

瓦(巨)銘工業股份有限公司 (SELF-MAN INDUSTRIAL CO., LTD.)

基隆市七堵區俊賢路25號5樓 (5F, NO. 25, CHUN-HSIEN ROAD, CHI-TU DISTRICT, KEELUNG 206, TAIWAN)

多環芳香烴分析流程圖 /

Analytical flow chart - PAHs (Polycyclic Aromatic Hydrocarbons)



This document is issued by the Company subject to its General Conditions of Service printed overleaf, available on request or accessible at <https://www.sgs.com.tw/terms-of-service> and, for electronic format documents, subject to Terms and Conditions for Electronic Documents at <https://www.sgs.com.tw/terms-of-service>. Attention is drawn to the limitation of liability, indemnification and jurisdiction issues defined therein. Any holder of this document is advised that information contained hereon reflects the Company's findings at the time of its intervention only and within the limits of client's instruction, if any. The Company's sole responsibility is to its Client and this document does not exonerate parties to a transaction from exercising all their rights and obligations under the transaction documents. This document cannot be reproduced, except in full, without prior written approval of the Company. Any unauthorized alteration, forgery or falsification of the content or appearance of this document is unlawful and offenders may be prosecuted to the fullest extent of the law. Unless otherwise stated the results shown in this test report refer only to the sample(s) tested.

測試報告

Test Report

號碼(No.): ETA22100116

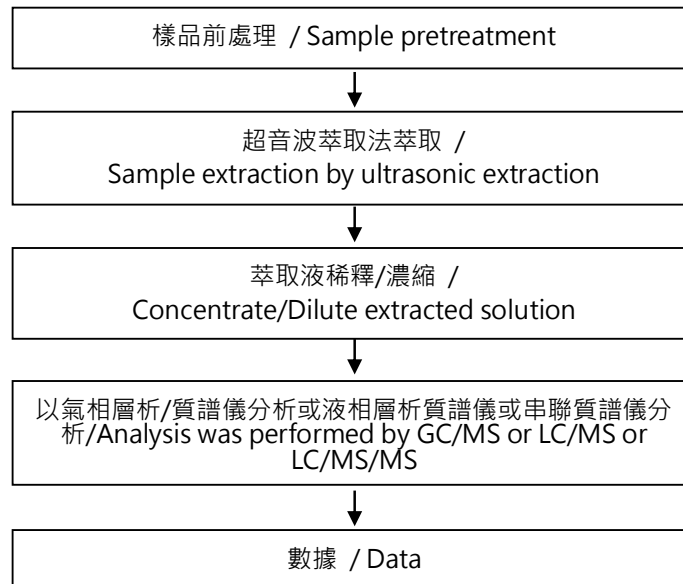
日期(Date): 17-Jan-2022

頁數(Page): 13 of 14

瓦(巨)銘工業股份有限公司 (SELF-MAN INDUSTRIAL CO., LTD.)

基隆市七堵區俊賢路25號5樓 (5F, NO. 25, CHUN-HSIEN ROAD, CHI-TU DISTRICT, KEELUNG 206, TAIWAN)

全氟化合物(包含全氟辛酸/全氟辛烷磺酸/其相關化合物等等)分析流程圖 / Analytical flow chart – PFAS (including PFOA/PFOS/its related compound, etc.)



This document is issued by the Company subject to its General Conditions of Service printed overleaf, available on request or accessible at <https://www.sgs.com.tw/terms-of-service> and, for electronic format documents, subject to Terms and Conditions for Electronic Documents at <https://www.sgs.com.tw/terms-of-service>. Attention is drawn to the limitation of liability, indemnification and jurisdiction issues defined therein. Any holder of this document is advised that information contained hereon reflects the Company's findings at the time of its intervention only and within the limits of client's instruction, if any. The Company's sole responsibility is to its Client and this document does not exonerate parties to a transaction from exercising all their rights and obligations under the transaction documents. This document cannot be reproduced, except in full, without prior written approval of the Company. Any unauthorized alteration, forgery or falsification of the content or appearance of this document is unlawful and offenders may be prosecuted to the fullest extent of the law. Unless otherwise stated the results shown in this test report refer only to the sample(s) tested.

測試報告

Test Report

號碼(No.): ETA22100116

日期(Date): 17-Jan-2022

頁數(Page): 14 of 14

瓦(巨)銘工業股份有限公司 (SELF-MAN INDUSTRIAL CO., LTD.)

基隆市七堵區俊賢路25號5樓 (5F, NO. 25, CHUN-HSIEN ROAD, CHI-TU DISTRICT, KEELUNG 206, TAIWAN)

* 照片中如有箭頭標示，則表示為實際檢測之樣品/部位。
(The tested sample / part is marked by an arrow if it's shown on the photo.)

ETA22100116



** 報告結尾 (End of Report) **

This document is issued by the Company subject to its General Conditions of Service printed overleaf, available on request or accessible at <https://www.sgs.com.tw/terms-of-service> and, for electronic format documents, subject to Terms and Conditions for Electronic Documents at <https://www.sgs.com.tw/terms-of-service>. Attention is drawn to the limitation of liability, indemnification and jurisdiction issues defined therein. Any holder of this document is advised that information contained hereon reflects the Company's findings at the time of its intervention only and within the limits of client's instruction, if any. The Company's sole responsibility is to its Client and this document does not exonerate parties to a transaction from exercising all their rights and obligations under the transaction documents. This document cannot be reproduced, except in full, without prior written approval of the Company. Any unauthorized alteration, forgery or falsification of the content or appearance of this document is unlawful and offenders may be prosecuted to the fullest extent of the law. Unless otherwise stated the results shown in this test report refer only to the sample(s) tested.